



**MASTER**<sup>®</sup>  
CLIMATE SOLUTIONS  
MCS














<p><b>Dantherm S.p.A.</b> Via Gardesana 11, -37010- Pastrengo (VR), Italy</p>	<p><b>Dantherm S.p.A.</b> Виа Гардесана 11, 37010 Пастренго (Верона), Италия</p>
<p><b>Dantherm Sp. z o.o.</b> ul. Magazynowa 5A, 62-023 Gądkі, Poland</p>	<p><b>Dantherm Sp. z o.o.</b> ул. Магазинова, 5А, 62-023 Гадки, Польша</p>
<p><b>Dantherm LLC</b> ul. Transportnaya - 22 ownership 2, 142802, STUPINO, Moscow region, Russia</p>	<p><b>ООО «Дантерм»</b> Ул. Транспортная, владение 22/2, 142802, г.Ступино, Московская обл., РФ</p>
<p><b>Dantherm China LTD</b> Unit 2B, 512 Yunchuan Rd., Shanghai, 201906, China</p>	<p><b>Dantherm China LTD</b> Юньчуань роад, 512, строение 2В, Шанхай, 201906, Китай</p>
<p><b>Dantherm SP S.A.</b> C/Calabozos, 6 Polígono Industrial, 28108 Alcobendas (Madrid) Spain</p>	<p><b>Dantherm SP S.A.</b> Ц/Калабозос, 6 Полигоно Индустириал, 28108 Алкобендас (Мадрид) Испания</p>

USER AND MAINTENANCE BOOK	<b>en</b>
LIBRETTO USO E MANUTENZIONE	<b>it</b>
BEDIENUNGS- UND WARTUNGSANLEITUNG	<b>de</b>
MANUAL DE INSTRUCCIONES PARA EL USO Y MANTENIMIENTO	<b>es</b>
MANUEL D'UTILISATION ET DE MAINTENANCE	<b>fr</b>
HANDLEIDING VOOR GEBRUIK EN ONDERHOUD	<b>nl</b>
MANUAL DE USO E MANUTENÇÃO	<b>pt</b>
VEJLEDNING OM BRUG OG VEDLIGEHOLDELSE	<b>da</b>
KÄYTÖ- JA HUOLTO-OHJE	<b>fi</b>
HEFTE FOR BRUK OG VEDLIKEHOLD	<b>no</b>
ANVÄNDAR- OCH UNDERHÅLLSHANDBOK	<b>sv</b>
INSTRUKCJA OBSŁUGI I KONSERWACJI	<b>pl</b>
РУКОВОДСТВО ПО ЭКСПЛУАТАЦИИ И ТЕХНИЧЕСКОМУ ОБСЛУЖИВАНИЮ	<b>ru</b>
PŘÍRUČKA PRO POUŽITÍ A ÚDRŽBU	<b>cs</b>
HASZNÁLATI ÉS KARBANTARTÁSI KÉZIKÖNYV	<b>hu</b>
PRIROČNIK Z NAVODILI ZA UPORABO IN VZDRŽEVANJE	<b>sl</b>
KULLANIM VE BAKIM KİTAPÇIĞI	<b>tr</b>
KNJIŽICA O UPORABI I ODRŽAVANJU	<b>hr</b>
NAUDOJIMO IR PRIEŽIŪROS KNYGELĖ	<b>lt</b>
LIETOŠANAS UN TEHNISKĀS APKOPEŠ GRĀMATIŅA	<b>lv</b>
KASUTUS- JA HOOLDUSJUHEND	<b>et</b>
MANUAL DE UTILIZARE ŞI ÎNTREȚINERE	<b>ro</b>
PRÍRUČKA PRE POUŽITIE A ÚDRŽBU	<b>sk</b>
НАРЪЧНИК ЗА ИЗПОЛЗВАНЕ И ПОДДРЪЖКА	<b>bg</b>
КЕРІВНИЦТВО З ЕКСПЛУАТАЦІЇ Й ТЕХНІЧНОГО ОБСЛУГОВУВАННЯ	<b>uk</b>
KNJIŽICOM O UPOTREBI I ODRŽAVANJU	<b>bs</b>
ΕΓΧΕΙΡΙΔΙΟ ΧΡΗΣΗΣ ΚΑΙ ΣΥΝΤΗΡΗΣΗΣ	<b>el</b>
使用和维护手册	<b>zh</b>
ПАЙДАЛАҢУ ЖӨНЕ ТЕХНИКАЛЫҚ ҚЫЗМЕТ КӨРСЕТУ ЖЕТЕКШІЛІГІ	<b>kk</b>

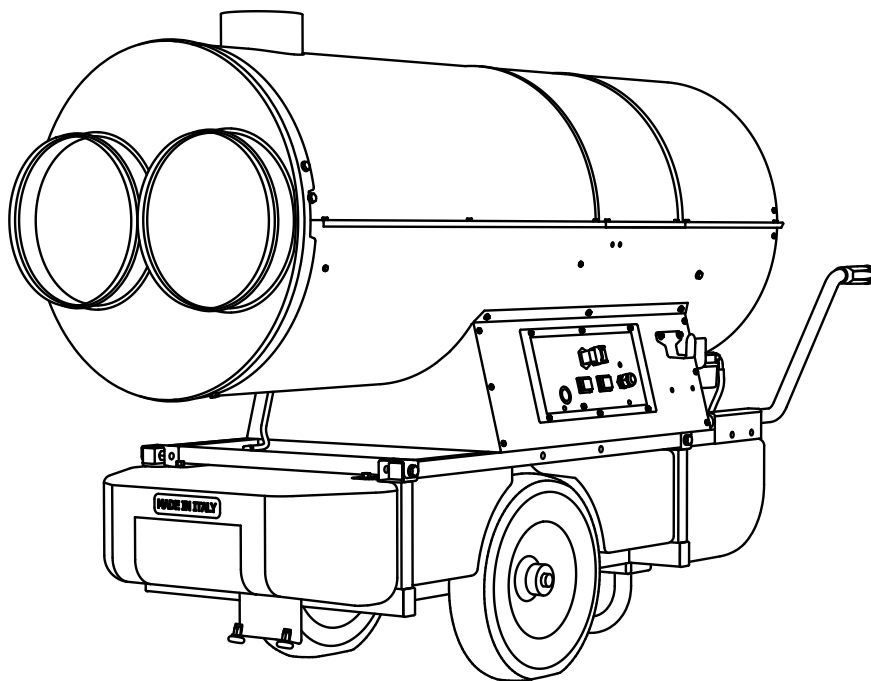
**BV 400**

**TECHNICAL DATA TABLE - TABELLA DATI TECNICI - TECHNISCHE DATENTABELLE  
 - TABLA DE DATOS TÉCNICOS - TABLEAU DES DONNÉES TECHNIQUES - TABEL  
 TECHNISCHE GEGEVENS - TABELA DE DADOS TÉCNICOS - TEKNISK DATATABEL  
 - TEKNISTEN TIETOJEN TAULUKKO - TABELL FOR TEKNISKE DATA - TABELL  
 MED TEKNISKA EGENSKAPER - TABELA DANYCH TECHNICZNYCH - ТАБЛИЦЕ  
 ТЕХНИЧЕСКИХ ДАННЫХ - TABULKA TECHNICKÝCH ÚDAJŮ - MŰSZAKI ADATOK  
 TÁBLÁZATA - TEHNIČNI PODATKI - TEKNİK VERİLER TABLOSUNDA - TABLICI  
 S TEHNIČKIM PODACIMA - TECHNINIŲ DUOMENŲ LENTELĖJE - TEHNISKO  
 DATU TABULA - TEHNILISTE ANDMETE TABEL - TABELUL CU DATE TEHNICE -  
 TABUĽKA TECHNICKÝCH ÚDAJOV - ТАБЛИЦА ТЕХНИЧЕСКИ ДАННИ - ТАБЛИЦІ  
 ТЕХНІЧНИХ ДАНИХ - TABELI SA TEHNIČKIM PODACIMA - ΠΙΝΑΚΙΔΑ ΤΩΝ  
 ΤΕΧΝΙΚΩΝ ΣΤΟΙΧΕΙΩΝ - 技术参数 - ТЕХНИКАЛЫҚ КӨРСЕТКІШТЕР КЕСТЕСІ**

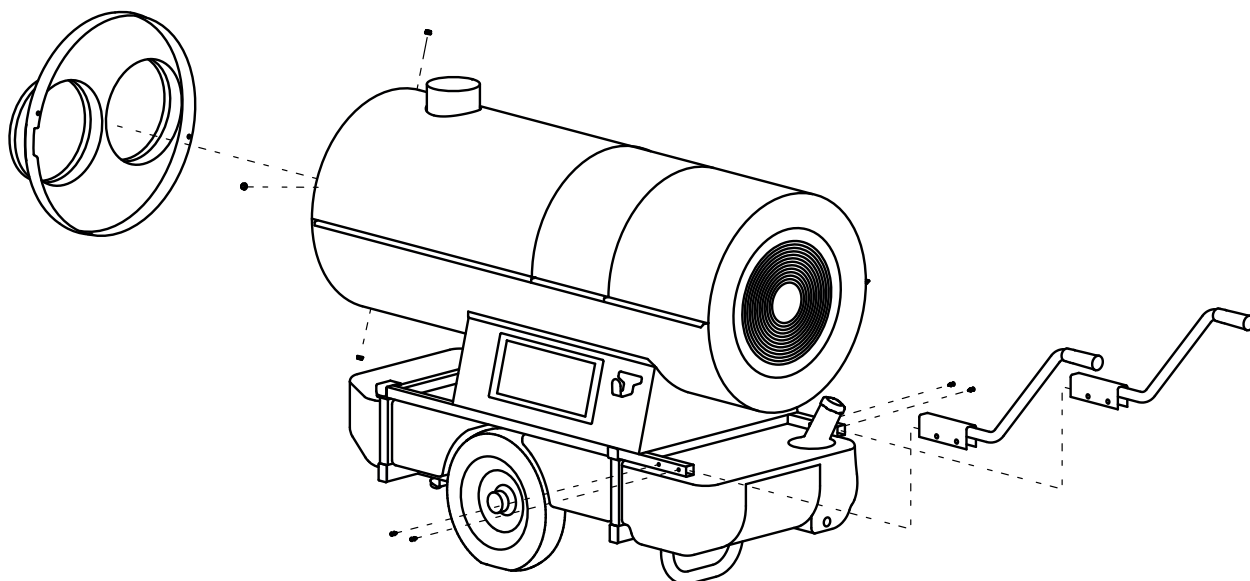
<b>MODEL</b>	<b>BV 400</b>	
		
	90 kW-кВт 77.400 kcal/h-ккал/ч 307.000 Btu/h-БТЕ/ч	110 kW-кВт 94.600 kcal/h-ккал/ч 375.000 Btu/h-БТЕ/ч
	7,2 kg/h-кг/ч	8,5 kg/h-кг/ч
	DIESEL-KEROSENE дизель-керосин	
	150 л-л	
	6.200 m³/h-м³/ч	
	~220-240 V-В (-15% ÷ +10%) 50 Hz-Гц 6,8 A 1,43 kW-кВт	
	200 kg-кг	
	2 GpH 60°S DANFOSS	
	900 kPa-кПа 9 bar-бар	1.250 kPa-кПа 12,5 bar-бар

**!** **IMPORTANT:** In order to have a correct function you must use an electrical generator in class G3 or more (frequency variation ±1%, tension variation ±2%). The maximum power of electrical generator must be three time the nominal power of device that you must connect.

**PICTURES - FIGURE - ABBILDUNGEN - FIGURAS - FIGURES - FIGUREN  
- FIGURAS - FIGURER - KUVAT - FIGURER - FIGUR - RYSUNKI - РИСУН-  
КИ - OBRÁZKY - ÁBRÁK - SLIKE - ŞEKİLLER - SLIKE - PAVEIKSLĖLIAI -  
ATTĒLI - JOONISED - IMAGINI - OBRÁZKY - ΦΙΓΥΡΑ - МАЛЮНКИ - SLIKE  
- EIKONEΣ - 图 - СУРЕТТЕР**

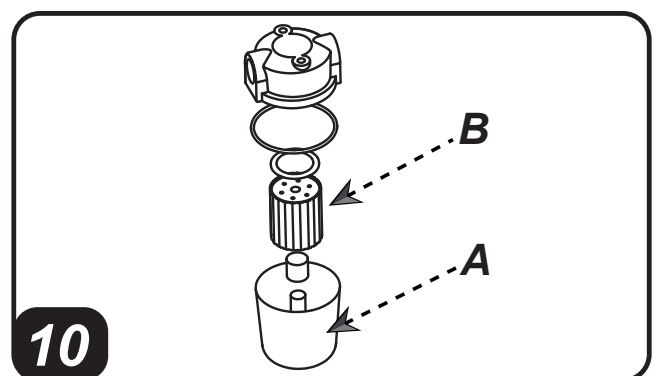
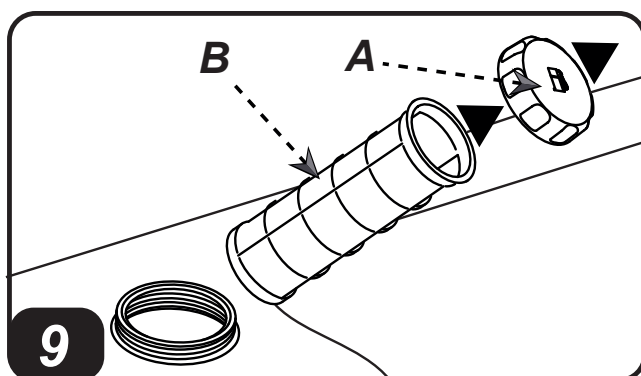
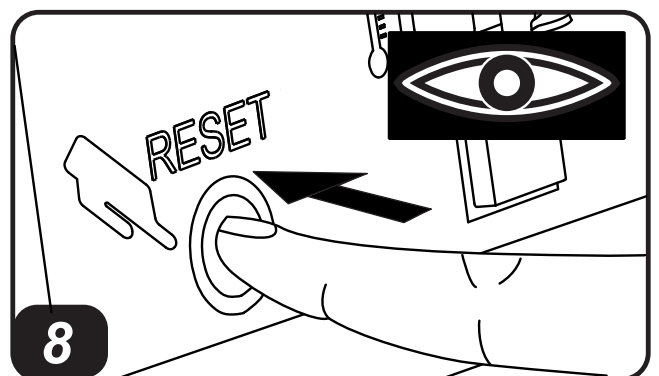
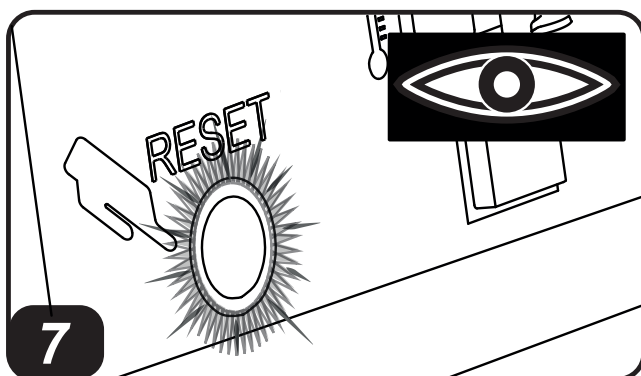
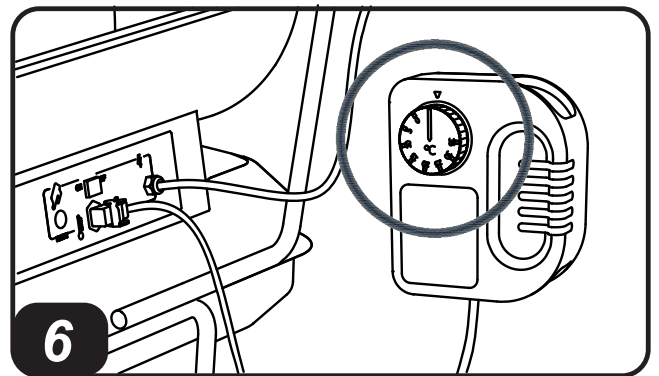
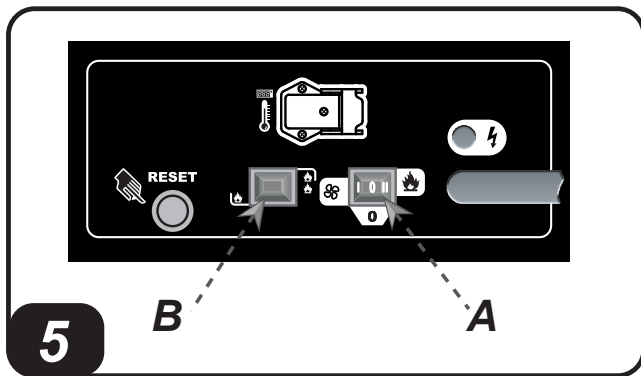
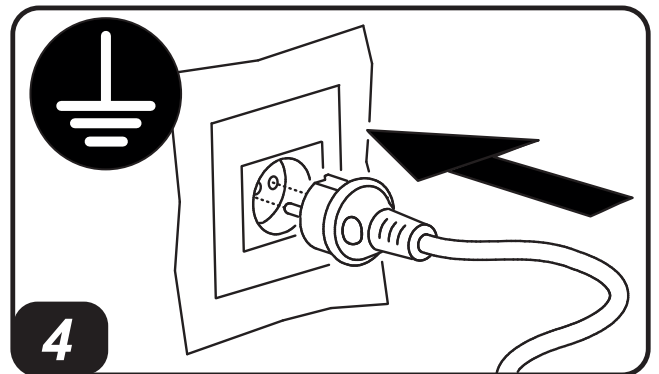
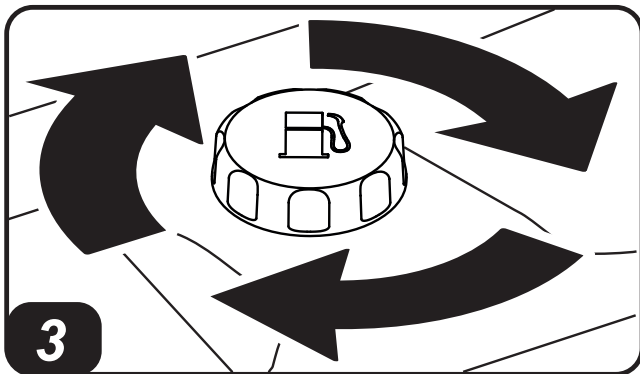


**1**

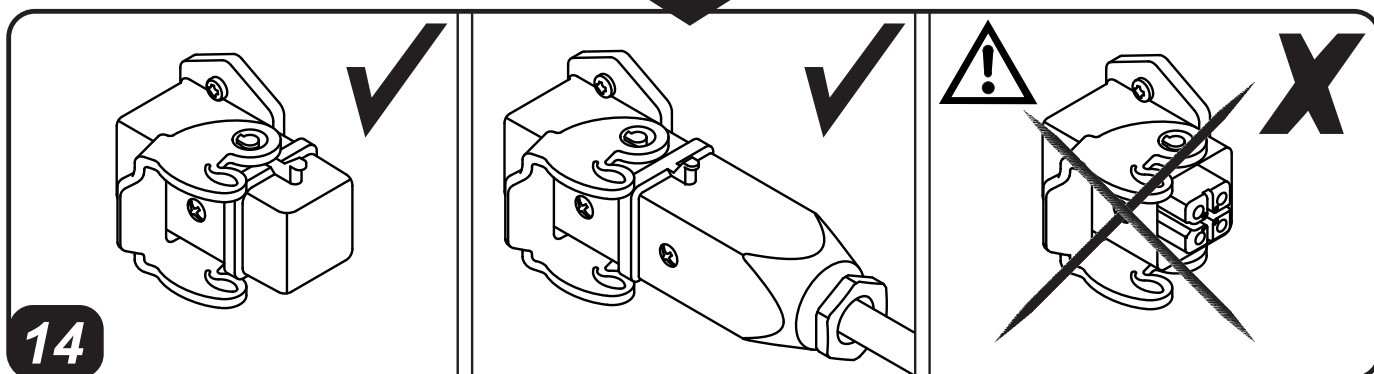
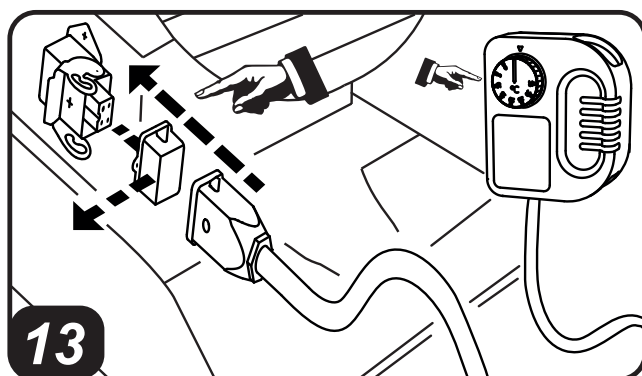
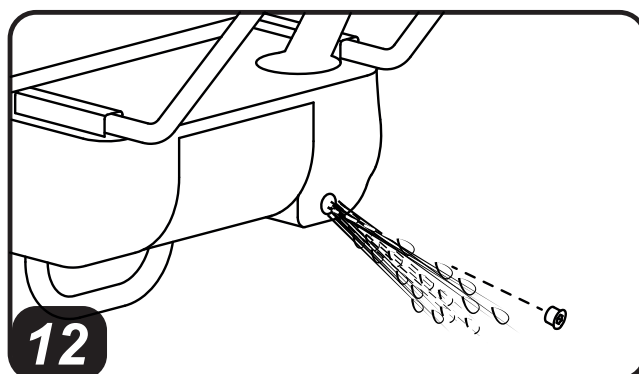
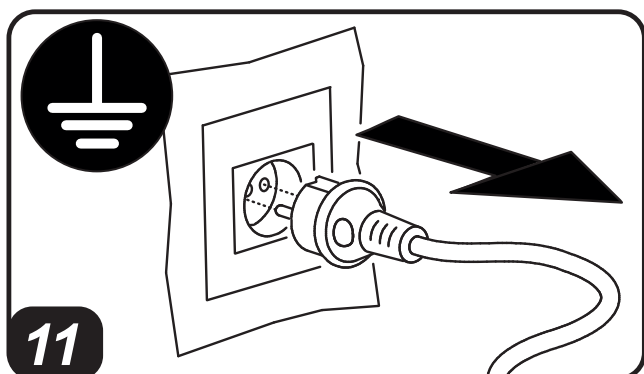


**2**

**PICTURES - FIGURE - ABBILDUNGEN - FIGURAS - FIGURES - FIGUREN  
- FIGURAS - FIGURER - KUVAT - FIGURER - FIGUR - RYSUNKI - РИСУН-  
КИ - OBRÁZKY - ÁBRÁK - SLIKE - ŞEKİLLER - SLIKE - PAVEIKSLĖLIAI -  
ATTĒLI - JOONISED - IMAGINI - OBRÁZKY - ФИГУРА - МАЛЮНКИ - SLIKE  
- EIKONEΣ - 图 - СУРЕТТЕР**



**PICTURES - FIGURE - ABBILDUNGEN - FIGURAS - FIGURES - FIGUREN  
- FIGURAS - FIGURER - KUVAT - FIGURER - FIGUR - RYSUNKI - РИСУН-  
КИ - OBRÁZKY - ÁBRÁK - SLIKE - ŞEKİLLER - SLIKE - PAVEIKSLĖLIAI -  
ATTĒLI - JOONISED - IMAGINI - OBRÁZKY - ΦΙΓΥΡΑ - МАЛЮНКИ - SLIKE  
- EIKONEΣ - 图 - СУРЕТТЕР**





**IMPORTANT: READ AND UNDERSTAND THIS MANUAL PRIOR TO ASSEMBLING, STARTING UP OR CONDUCTING MAINTENANCE ON THIS HEATER. USING THE HEATER INCORRECTLY CAN CAUSE SERIOUS INJURY. KEEP THIS MANUAL FOR FURTHER REFERENCE.**


## **1. DESCRIPTION**


This series of heaters is particularly suited to heating medium to large-sized rooms or areas. Thanks to a heat exchanger, indirect heaters (PIC. 1) separate combustion gases from the hot air released into the environment. This way it is possible to introduce a flow of clean hot air in the area that needs to be heated up and direct exhaust fumes outside.

These heaters have been designed in line with the most recent safety, operating and duration criteria. The safety devices ensure the machine always operates correctly.

## **2. SAFETY INFORMATION**

### **WARNINGS**

 **IMPORTANT:** This appliance is not suitable for use by persons (including children) with reduced physical, sensory and mental capacities or with lack of experience or knowledge unless supervised by a person responsible for their safety. Children must be supervised to make sure they do not play with the appliance.

 **DANGER:** Suffocation by carbon monoxide can be fatal.

The first symptoms of suffocation by carbon monoxide are similar to those of flu with headache, light-headedness and/or nausea. These symptoms could be caused by the faulty functioning of the heater. **IF THESE SYMPTOMS OCCUR, GO OUTDOORS IMMEDIATELY** and have the heater repaired by a technical service centre.

### **▶▶ 2.1. REFUELLING:**

- ▶▶ 2.1.1. Personnel appointed to carry out refuelling must be qualified and fully familiar with this manual and current regulations on how to refuel heaters safely.
- ▶▶ 2.1.2. Only use the type of fuel specified on the heater's identification plate.
- ▶▶ 2.1.3. Before refuelling, turn off the heater and wait for it to cool down.
- ▶▶ 2.1.4. The fuel storage deposit tanks must be located in a separate facility or building.

- ▶▶ 2.1.5. All fuel tanks must be kept at a minimum distance from the heater, in accordance with current safety regulations.
- ▶▶ 2.1.6. Fuel must be stored in areas where the floor surface does not allow underneath dripping, or any other leakage which may ignite the fuel.
- ▶▶ 2.1.7. Fuel must be stored in accordance with current safety regulations.
- ▶▶ **2.2. SAFETY:**
- ▶▶ 2.2.1. Never use the heater in areas with petrol, paint solvents or other highly flammable vapours.
- ▶▶ 2.2.2. Comply with all local legislation and current regulations when using the heater.
- ▶▶ 2.2.3. Heaters used near tarpaulins, curtains or other similar covering materials must be kept at a safe distance. It is advised to use fire-proof covering material.
- ▶▶ 2.2.4. Only use heaters in well-ventilated areas. Set-up a suitable open and ventilated area, with the purpose of introducing fresh air from outdoors, in compliance with the current safety standards.
- ▶▶ 2.2.5. Heaters must be powered only with the correct voltage and frequency values as specified on the heater's identification plate.
- ▶▶ 2.2.6. Only use suitable earthed extension cable.
- ▶▶ 2.2.7. The recommended safety distances between heaters and flammable substances are: front output = 2,5 m; side/top/rear output = 1,5 m.
- ▶▶ 2.2.8. Avoid fire hazards by placing the hot or functioning heater on a flat level surface.
- ▶▶ 2.2.9. Always keep animals at a safe distance.
- ▶▶ 2.2.10. Disconnect the heater from the main power supply when not in use.
- ▶▶ 2.2.11. When controlled by a thermostat, the heater can turn on at any time.
- ▶▶ 2.2.12. Never use the heater in frequently used rooms or in bedrooms.
- ▶▶ 2.2.13. Never block the heater's air inlet or the air outlet (front).



- ▶ **2.2.14. Never move, handle, refuel or conduct maintenance on the heater when it is hot or when connected to the power supply or when in operation.**
- ▶ **2.2.15. Only use original kit/hose to direct air flow (in and out) (where applicable).**
- ▶ **2.2.16. Keep heater's hot parts at as safe distance from inflammable materials (including the power supply cable).**
- ▶ **2.2.17. If the power supply cable is damaged, it must be replaced by a technical service centre, in order to prevent further risks.**

### **3. UNPACKING**

**WARNING: The packaging material is not a toy. Keep the plastic bag out of the reach of children; danger of suffocation!**

- ▶ **3.1.** Remove all packaging materials used to wrap and deliver the heater and dispose them in compliance with current regulations.
- ▶ **3.2.** If the heater is placed on a moving platform, make sure it is moved gently.
- ▶ **3.3.** Check for any damage that might have happened during transport. If the heater looks damaged, immediately inform the dealer from which it was purchased.

### **4. ASSEMBLY**

These heaters are fitted with wheels, a handle and a chimney depending on the model (PIC. 2). These parts, which come with the relative nuts and bolts, are in the heater's packaging.

### **5. FUEL**

**WARNING: The heater only works with DIESEL or KEROSENE.**

In order to avoid explosions or any fire hazards, use only diesel or kerosene fuel.

Never use petrol, naphtha, paint solvents, alcohol or any other highly inflammable fuels.

Non-toxic, anti-freeze additives can be used in case of very low temperatures.

It is advisable to use winter diesel below 5°C.

### **6. OPERATING PRINCIPLES**

**A.** Combustion chamber and burner, **B.** Fan, **C.** Motor, **D.** Pump, **E.** Tank, **F.** Chimney.

The pump draws fuel from the tank and brings it to the operating pressure. The fuel is brought to the nozzle that sprays it into the combustion chamber. The combustion is carried out with a mix of air and fuel and the flow of air generated

is pushed outside via the rotation of the fan. In direct models combustion products flow together with heated air. In indirect models combustion products are directed outside through the chimney. A series of sensors connected to an electronic control board constantly keep the correct operation of the heater monitored and stops the cycle in the event of anomalies.

## **7. OPERATION**

**WARNING: Carefully read the "SAFETY INFORMATION" before switching on the heater.**

### **▶▶ 7.1. SWITCHING ON THE HEATER:**

- ▶ **7.1.1.** Follow all the safety instructions.
- ▶ **7.1.2.** Check if there is any fuel in the tank.
- ▶ **7.1.3.** Close the tank cap (FIG. 3).
- ▶ **7.1.4.** Connect the power plug to the mains (PIC. 4) (SEE VOLTAGE IN "TECHNICAL DATA TABLE").
- ▶ **7.1.5.** Set the "ON/OFF" switch to "FLAME" (A PIC. 5). The heater should turn on within a few seconds. If the heater does not start, refer to paragraph "12. "TROUBLESHOOTING".
- ▶ **7.1.6.** Maximum power is achieved by setting the power switch to "DOUBLE FLAME" (B PIC. 5).
- ▶ **7.1.7.** The heater can be used in ventilation mode, which is activated by setting the ON/OFF switch to "FAN" (A PIC. 5).
- ▶ **7.1.8.** For models with a room thermostat, check the set temperature (PIC. 6).

**PLEASE NOTE: IF THE HEATER SWITCHES OFF DUE TO LACK OF FUEL, TOP UP THE TANK AND RESET THE HEATER (SEE PAR. 7.2.).**

**IMPORTANT: In indirect models, combustion products are directed outside through suitable chimney. CARRY OUT THE CHIMNEY IN ACCORDANCE WITH CURRENT SAFETY REGULATIONS AND FOLLOW THE INSTRUCTIONS IN THE RELEVANT SECTION OF THE MANUAL.**

### **▶▶ 7.2. RESETTING THE HEATER:**

The appliance stops when an anomaly occurs. The reset button turns on with a steady red light (PIC. 7), it means the heater needs to be reset. To reset the heater, press the reset button all the way down (PIC. 8). Identify and remove the cause that stopped the appliance (for instance, obstruction of air intake and/or outlet, total block of the fan, etc.). Please contact an



en appointed service center for assistance in case it is impossible to solve the problem.

### ▶▶ **7.3. SWITCHING OFF THE HEATER:**

Set the "I/O" button to "0" (A PIC. 5). Flames extinguish and the fan keeps on working until the combustion chamber has fully cooled down. **Do not pull the plug out until the cooling cycle has totally ended.**

## **8. CLEANING THE FILTERS**

**THE FILTERS MAY NEED TO BE CLEANED DEPENDING ON THE QUALITY OF THE FUEL USED.**

### ▶▶ **8.1. FUEL TANK FILTER (PIC. 9):**

- ▶ **8.1.1.** Remove tank (A) cap.
- ▶ **8.1.2.** Take out the filter (B) from the tank.
- ▶ **8.1.3.** Clean the filter (B) with clean fuel, without damaging it.
- ▶ **8.1.4.** Put the filter (B) back in the tank.
- ▶ **8.1.5.** Close cap (A).

### ▶▶ **8.2. INTAKE FILTER, (PIC. 10) DEPENDING ON THE MODEL:**

- ▶ **8.2.1.** Remove the cup (A).
- ▶ **8.2.2.** Take out the filter (B) from the cup. Keep gaskets for later use.
- ▶ **8.2.3.** Clean the filter (B) with clean fuel, without damaging it.
- ▶ **8.2.4.** Put the filter (B) back in the cup.
- ▶ **8.2.5.** Put the glass (A) back on and reassemble the gaskets correctly.

### ▶▶ **8.3. FUEL PUMP FILTER:**

See the preventive maintenance schedule.

## **9. STORAGE AND TRANSPORT**

**WARNING: Before moving the appliance, the heater must be stopped (SEE PAR. 7.3.) and disconnected from the power supply by pulling out the plug (PIC. 11), wait for a complete cool down and close the tank cap properly to prevent fuel leakage. Keep the heater in horizontal and stable position during transport.**

**IN ORDER TO KEEP THE HEATER IN THE BEST POSSIBLE CONDITIONS, WE RECOMMEND TO FOLLOW THE BELOW PROCEDURE:**

- ▶ **9.1.** Empty the fuel by removing the drain cap at the bottom of the tank (PIC. 12).

Dispose the fuel in an appropriate container in accordance with the current safety regulations.

- ▶ **9.2.** To remove any residual remaining, pour clean fuel and rinse the tank again.
- ▶ **9.3.** Close the drain cap and the tank cap.
- ▶ **9.4.** In order to keep the heater in the best possible conditions, we recommend placing it in a dry and safe place.

## **10. CONNECTING THE ROOM THERMOSTAT**

In models with a thermostat connection, remove the cap connected to the appliance and connect the room thermostat (optional) (SEE PIC. 13-14).

**WARNING: BEFORE PERFORMING ANY MAINTENANCE OR REPAIRS, UNPLUG HEATER FROM THE MAIN POWER SUPPLY AND MAKE SURE THE HEATER IS TOTALLY COOL.**

## **11. PREVENTIVE MAINTENANCE SCHEDULE**

<b>COMPONENT</b>	<b>MAINTENANCE FREQUENCY</b>	<b>MAINTENANCE PROCEDURE</b>
Fuel tank	Clean once a year or as required	Empty and rinse the tank with clean fuel (SEE PAR. 9.)
Filters	Clean or replace once a year or as required (make sure they are intact)	Clean the filters (SEE PAR. 8.)
Fuel pump filter	Clean or replace once a year or as required (make sure they are intact)	Contact a service centre
Electrodes	Clean as required	Contact a service centre
Fan	Clean as required	Contact a service centre
Combustion chamber	Clean as required	Contact a service centre

## **12. TROUBLESHOOTING**

<b>PROBLEM</b>	<b>POSSIBLE CAUSE</b>	<b>POSSIBLE SOLUTION</b>
The heater does not start or does not operate	<ol style="list-style-type: none"> <li>1. Starter switch in "OFF" (0) position</li> <li>2. No power supply</li> <li>3. Power supply cable interrupted</li> <li>4. Electronic control board blocked or malfunctioning</li> <li>5. Incorrect setting of the room thermostat (if present)</li> <li>6. No fuel</li> <li>7. External substances or dirt in the fuel circuit</li> </ol>	<ol style="list-style-type: none"> <li>1. Set the "ON/OFF" switch to "FLAME" (A PIC. 5)</li> <li>2a. Insert the power plug into the mains socket correctly (PIC. 4)</li> <li>2b. Check voltage of your electric supply system</li> <li>3. Contact a service centre</li> <li>4a. Reset the heater (SEE PAR. 7.2.)</li> <li>4b. Contact a service centre</li> <li>4c. Contact a service centre</li> <li>5. Set the room thermostat to a temperature higher than the working environment temperature (PIC. 6)</li> <li>6. Top up fuel and reset heater</li> <li>7a. Empty, rinse and refill the tank</li> <li>7b. Rinse the filters (SEE PAR. 8.)</li> <li>7c. Contact a service centre</li> </ol>
Smoke while operating	<ol style="list-style-type: none"> <li>1. External substances or dirt in the fuel circuit</li> <li>2. Obstructed inlet air vent</li> <li>3. Incorrect air supply</li> </ol>	<ol style="list-style-type: none"> <li>1a. Empty and refill the tank with clean fuel</li> <li>1b. Rinse fuel filters</li> <li>1c. Contact a service centre</li> <li>2. Remove all air vent obstructions</li> <li>3. Adjust the air damper below the fan, in the rear part of the heater (to the left, the damper closes; to the right, the damper opens)</li> </ol>
The heater does not turn off	<ol style="list-style-type: none"> <li>1. Faulty electronic system</li> </ol>	<ol style="list-style-type: none"> <li>1. Contact a service centre</li> </ol>

**IMPORTANTE: LEGGERE E COMPRENDERE QUESTO MANUALE OPERATIVO PRIMA DI EFFETTUARE L'ASSEMBLAGGIO, LA MESSA IN FUNZIONE O LA MANUTENZIONE DI QUESTO RISCALDATORE. L'USO ERRATO DEL RISCALDATORE PUÒ CAUSARE LESIONI GRAVI O FATALI. CONSERVARE QUESTO MANUALE A TITOLO DI FUTURO RIFERIMENTO.**


## 1. DESCRIZIONE

Questa serie di riscaldatori d'aria calda è particolarmente indicata per il riscaldamento di locali o spazi, aventi medie o grandi dimensioni.

I riscaldatori a riscaldamento indiretto (FIG. 1) grazie ad uno scambiatore di calore interno, permettono di separare i gas di combustione dall'aria calda immessa nell'ambiente. In questo modo è possibile avere una corrente d'aria calda pulita nel luogo da riscaldare e convogliare all'esterno i prodotti della combustione.

Questi riscaldatori d'aria calda, sono stati progettati secondo i più moderni criteri di sicurezza, funzionalità e durata. I dispositivi di sicurezza garantiscono sempre il corretto funzionamento del riscaldatore.

## 2. INFORMAZIONI SULLA SICUREZZA AVVERTENZE

 **IMPORTANTE:** Questo apparecchio non è adatto all'uso da parte di persone (inclusi bambini) con capacità fisiche, sensoriali e mentali ridotte, o inesperte, a meno che non vengano supervisionate da una persona responsabile per la loro sicurezza. I bambini devono essere controllati, per assicurarsi che non giochino con l'apparecchio.

 **PERICOLO:** L'asfissia da ossido di carbonio può risultare fatale.

I primi sintomi di asfissia da ossido di carbonio assomigliano a quelli dell'influenza, con cefalee, capogiri e/o nausea. Tali sintomi potrebbero essere causati dal funzionamento difettoso del riscaldatore. **NEL CASO SI PRESENTASSERO QUESTI SINTOMI, USCIRE IMMEDIATAMENTE ALL'APERTO** e far riparare il riscaldatore dal centro assistenza tecnica.

### ►► 2.1. RIFORNIMENTO:

- 2.1.1. Il personale incaricato del rifornimento, deve essere qualificato ed avere totale dimestichezza con le istruzioni del fabbricante e con la normativa vigente in merito al rifornimento sicuro dei riscaldatori.
- 2.1.2. Usare solamente il tipo di combustibile espressamente specificato sulla targhetta identificativa del riscaldatore.

- 2.1.3. Prima di effettuare il rifornimento, spegnere il riscaldatore, ed attendere che si raffreddi.
- 2.1.4. Le cisterne di magazzinaggio del carburante devono trovarsi in una struttura separata.
- 2.1.5. Tutti i serbatoi del combustibile, devono trovarsi ad una distanza minima di sicurezza dal riscaldatore, secondo le norme vigenti.
- 2.1.6. Il combustibile va conservato in locali il cui pavimento non permetta la penetrazione ed il gocciolio dello stesso su fiamme sottostanti, che possano causarne l'accensione.
- 2.1.7. La conservazione del combustibile va effettuata in conformità alla normativa vigente.

### ►► 2.2. SICUREZZA:

- 2.2.1. Non usare mai il riscaldatore in locali nei quali siano presenti benzina, solventi per vernici o altri vapori altamente infiammabili.
- 2.2.2. Durante l'uso del riscaldatore, attenersi a tutte le ordinanze locali ed alla normativa vigente.
- 2.2.3. I riscaldatori usati in prossimità di teloni, tende o altri materiali simili di copertura, devono essere situati a distanza di sicurezza da essi. Si consiglia anche di usare materiali di copertura di tipo ignifugo.
- 2.2.4. Usare solamente in aree ben ventilate. Predisporre un'apertura adeguata secondo le norme vigenti, allo scopo di immettere aria fresca dall'esterno.
- 2.2.5. Alimentare il riscaldatore solamente con corrente avente tensione e frequenza specificate sulla targhetta identificativa.
- 2.2.6. Usare solamente prolunghe opportunamente collegate a massa.
- 2.2.7. Distanze minime di sicurezza, consigliate, intercorrenti tra il riscaldatore e le sostanze infiammabili sono: uscita anteriore = 2,5 m; di lato, in alto e sul retro = 1,5 m.
- 2.2.8. Porre il riscaldatore caldo, o in funzione, su una superficie stabile e livellata, in modo da evitare i rischi di incendio.
- 2.2.9. Tenere gli animali a distanza di sicurezza dal riscaldatore.
- 2.2.10. Scollegare il riscaldatore dalla presa di rete, quando non lo si usa.

- ▶ **2.2.11.** Quando è controllato da un termostato, il riscaldatore può accendersi in qualsiasi momento.
- ▶ **2.2.12.** Non usare mai il riscaldatore in stanze frequentemente abitate, né in camere da letto.
- ▶ **2.2.13.** Non bloccare mai la presa dell'aria, né l'uscita dell'aria (lato anteriore) del riscaldatore.
- ▶ **2.2.14.** Quando il riscaldatore è caldo, o collegato alla rete elettrica, o in funzione, non deve mai essere spostato, maneggiato, rifornito né soggetto ad alcun intervento di manutenzione.
- ▶ **2.2.15.** Evitare di canalizzare l'aria in entrata e/o in uscita se non con kit originali (dove previsto).
- ▶ **2.2.16.** Mantenere ad una adeguata distanza materiali infiammabili, o termolabili (compreso il cavo di alimentazione) dalle parti calde del riscaldatore.
- ▶ **2.2.17.** Se il cavo di alimentazione risulta danneggiato, deve essere sostituito dal centro assistenza tecnica, in modo da prevenire ogni rischio.

### **3. DISIMBALLAGGIO**

**AVVERTENZA:** Il materiale della confezione non è un giocattolo per bambini. Tenere il sacchetto di plastica lontano dalla portata dei bambini; pericolo di soffocamento!

- ▶ **3.1.** Rimuovere tutti i materiali di imballaggio usati per confezionare e spedire il riscaldatore. Smaltirli secondo le norme vigenti.
- ▶ **3.2.** Nel caso il riscaldatore fosse posto sulla pedana, farlo scendere delicatamente.
- ▶ **3.3.** Controllare eventuali danni subiti durante il trasporto. Se il riscaldatore appare danneggiato, informare immediatamente il concessionario presso il quale è stato acquistato.

### **4. ASSEMBLAGGIO**

Questi riscaldatori sono dotati di ruote, maniglia, e camino a seconda del modello (FIG. 2). Tali componenti, completi della relativa bulloneria di montaggio, sono situati nell'imballo del riscaldatore.

### **5. COMBUSTIBILE**

**AVVERTENZA:** Il riscaldatore funziona solo con DIESEL o KEROSENE.

Usare solamente diesel o kerosene, per evitare rischi di incendio o di esplosione. Non fare mai uso di benzina, nafta, solventi per vernici, alcool o altri combustibili altamente infiammabili.

Usare additivi antigelo non tossici in caso di temperature molto basse.

Si consiglia di utilizzare gasolio invernale al di sotto dei 5°C.

## **6. PRINCIPI DI FUNZIONAMENTO**

**A.** Camera e testa combustione, **B.** Ventola, **C.** Motore, **D.** Pompa, **E.** Serbatoio, **F.** Camino.

La pompa aspira il combustibile dal serbatoio portandolo alla pressione di funzionamento. Il combustibile viene portato all'ugello che lo nebulizza nella camera di combustione. La combustione avviene tramite una miscela di aria/combustibile e i suoi prodotti vengono spinti all'esterno tramite il flusso d'aria generato dalla rotazione della ventola. Nei modelli diretti i prodotti della combustione finiscono nell'ambiente riscaldato, mentre nei modelli indiretti i prodotti della combustione possono essere convogliati all'esterno, dell'ambiente riscaldato, mediante canalizzazione. Una serie di sensori, collegati ad una scheda elettronica di controllo, verificano costantemente il corretto funzionamento del riscaldatore, arrestando il ciclo in caso di anomalie.

## **7. FUNZIONAMENTO**

**AVVERTENZA:** Leggere attentamente le "INFORMAZIONI SULLA SICUREZZA", prima di accendere il riscaldatore.

### **▶▶ 7.1. ACCENSIONE DEL RISCALDATORE:**

- ▶ **7.1.1.** Seguire tutte le istruzioni relative alla sicurezza.
- ▶ **7.1.2.** Controllare la presenza di combustibile nel serbatoio.
- ▶ **7.1.3.** Chiudere il tappo del serbatoio (FIG. 3).
- ▶ **7.1.4.** Collegare la spina di alimentazione alla rete elettrica (FIG. 4) (VEDERE TENSIONE IN "TABELLA DATI TECNICI").
- ▶ **7.1.5.** Portare l'interruttore di accensione in posizione "FIAMMA" (A FIG. 5). Il riscaldatore dovrebbe accendersi entro pochi secondi. Se il riscaldatore non si avvia, consultare il paragrafo "12. INDIVIDUAZIONE PROBLEMA".
- ▶ **7.1.6.** Per ottenere la massima potenza, posizionare l'interruttore di potenza in posizione "DOPPIA FIAMMA" (B FIG. 5).
- ▶ **7.1.7.** Il riscaldatore può essere utilizzato in modalità ventilazione, per attivare tale funzione, posizionare l'interruttore di accensione in posizione "VENTOLA" (A FIG. 5).
- ▶ **7.1.8.** Per i modelli con termostato ambiente, verificare la temperatura impostata (FIG. 6).

**N.B.: IN CASO DI SPEGNIMENTO DEL RISCALDATORE DOVUTO ALL'ESAURIMENTO DEL COMBUSTIBILE, RABBOCCARE IL**

## SERBATOIO E RESETTARE IL RISCALDATORE (VEDI PARAG. 7.2.).

it

**IMPORTANTE:** Nei modelli indiretti, i prodotti della combustione possono essere canalizzati all'esterno. ESEGUIRE LA CANALIZZAZIONE SECONDO LA NORMATIVA VIGENTE E RISPETTARE LE INDICAZIONI RIPORTATE NELL'APPOSITA SEZIONE DEL MANUALE.

### ►► 7.2. RESET DEL RISCALDATORE:

Nel caso che si verifichi un'anomalia nel normale funzionamento, il riscaldatore si spegne. Quando il pulsante di reset si presenta acceso con luce rossa continua (FIG. 7), significa che il riscaldatore necessita di essere resettato. Per resettare il riscaldatore premere a fondo il pulsante di reset (FIG. 8). Prima di rimettere in funzione il riscaldatore, si deve individuare ed eliminare la causa che ha prodotto il blocco (ad esempio, ostruzione della presa d'aria in entrata e/o di mandata dell'aria, arresto del ventilatore, ecc.). Nel caso non si riuscisse ad eliminare il problema che ha causato il blocco, far intervenire il centro di assistenza tecnica.

### ►► 7.3. SPEGNIMENTO DEL RISCALDATORE:

Portare l'interruttore di accensione in posizione "0" (A FIG. 5). La fiamma si spegne e il ventilatore continua a funzionare fino al completo raffreddamento della camera di combustione. **Non scollegare la spina elettrica fino al completamento del ciclo di raffreddamento.**

## 8. PULIZIA FILTRI

**A SECONDA DELLA QUALITA' DEL COMBUSTIBILE CHE VIENE IMPIEGATO, PUO' RENDERSI NECESSARIA LA PULIZIA DEI FILTRI:**

### ►► 8.1. FILTRO DI CARICO (FIG. 9):

- 8.1.1. Rimuovere il tappo (A) del serbatoio.
- 8.1.2. Estrarre il filtro (B) dal serbatoio.
- 8.1.3. Pulire il filtro (B) con combustibile pulito, facendo attenzione a non danneggiarlo.
- 8.1.4. Rimontare il filtro (B) nel serbatoio.
- 8.1.5. Chiudere il tappo (A).

### ►► 8.2. FILTRO DI ASPIRAZIONE, (FIG. 10) A SECONDA DEL MODELLO:

- 8.2.1. Rimuovere il bicchiere (A).
- 8.2.2. Estrarre il filtro (B) dal bicchiere, facendo attenzione a conservare con cura le guarnizioni.
- 8.2.3. Pulire il filtro (B) con combustibile pulito, facendo attenzione a non danneggiarlo.
- 8.2.4. Rimontare il filtro (B) nel bicchiere.
- 8.2.5. Rimontare il bicchiere (A) facendo attenzione a rimontare correttamente le guarnizioni.

### ►► 8.3. FILTRO POMPA COMBUSTIBILE:

Vedere programma manutenzione preventiva.

## 9. CONSERVAZIONE E TRASPORTO

**AVVERTENZA:** Prima di qualsiasi spostamento si deve arrestare il riscaldatore (VEDI PARAG. 7.3.), disinserire l'alimentazione elettrica, estraendo la spina dalla presa elettrica (FIG. 11), attendere il completo raffreddamento del riscaldatore e assicurarsi che il tappo del serbatoio sia ben chiuso per evitare fuoriuscite di combustibile. Quando si movimenta il riscaldatore mantenerlo in posizione livellata.

**AL FINE DI CONSERVARE AL MEGLIO IL RISCALDATORE, SI CONSIGLIA DI SEGUIRE LA PROCEDURA SEGUENTE:**

- 9.1. Svuotare il serbatoio dal combustibile rimuovendo il tappo di scarico posto sul fondo del serbatoio (FIG. 12). Smaltire il combustibile in modo appropriato e secondo le norme vigenti.
- 9.2. Se si nota la presenza di residui, versare combustibile pulito nel serbatoio e scaricare nuovamente.
- 9.3. Chiudere il tappo di scarico e del serbatoio.
- 9.4. Al fine di conservare al meglio il riscaldatore, si consiglia di riporlo in un luogo asciutto e al riparo da possibili danneggiamenti.

## 10. COLLEGAMENTO TERMOSTATO AMBIENTE

Nei modelli con predisposizione collegamento termostato ambiente, rimuovere il tappo collegato al riscaldatore e connettere il termostato ambiente (optional) (FIG. 13-14).



**AVVERTENZA: PRIMA DI EFFETTUARE QUALSIASI MANUTENZIONE O RIPARAZIONE, SCOLLEGARE IL CAVO DI ALIMENTAZIONE DALLA RETE ELETTRICA, ED ASSICURARSI CHE IL RISCALDATORE SIA FREDDO.**

## 11. PROGRAMMA DI MANUTENZIONE PREVENTIVA

COMPONENTE	FREQUENZA MANUTENZIONE	PROCEDURA MANUTENZIONE
Serbatoio del combustibile	Pulire una volta all'anno o a seconda delle necessità	Svuotare e risciacquare il serbatoio con combustibile pulito (VEDI PARAG. 9.)
Filtri	Pulire o sostituire una volta all'anno o a seconda delle necessità (verificare l'integrità)	Pulire i filtri (VEDI PARAG. 8.)
Filtro pompa combustibile	Pulire o sostituire una volta all'anno o a seconda delle necessità (verificare l'integrità)	Rivolgersi al centro di assistenza
Elettrodi	Pulire a seconda delle necessità	Rivolgersi al centro di assistenza
Ventola	Pulire a seconda delle necessità	Rivolgersi al centro di assistenza
Camera di combustione	Pulire a seconda delle necessità	Rivolgersi al centro di assistenza

## 12. INDIVIDUAZIONE PROBLEMA

PROBLEMA	POSSIBILE CAUSA	POSSIBILE SOLUZIONE
Il riscaldatore non si avvia o non rimane acceso	<ol style="list-style-type: none"> <li>Interruttore di accensione in posizione "0"</li> <li>Mancanza alimentazione</li> <li>Cavo di alimentazione interrotto</li> <li>Elettronica da resettare o difettosa</li> <li>Impostazione errata del termostato ambiente (dove presente)</li> <li>Mancanza combustibile</li> <li>Presenza di sostanze estranee nel circuito del combustibile</li> </ol>	<ol style="list-style-type: none"> <li>Portare l'interruttore di accensione in posizione "FIAMMA" (A FIG. 5)</li> <li>Inserire correttamente il cavo di alimentazione alla presa di rete elettrica (FIG. 4)</li> <li>Verificare la corretta tensione del vostro impianto</li> <li>Rivolgersi al centro di assistenza</li> <li>Resettare il riscaldatore (VEDI PARAG. 7.2.)</li> <li>Rivolgersi al centro di assistenza</li> <li>Agire sul termostato ambiente, impostandolo ad una temperatura superiore a quella dell'ambiente di lavoro (FIG. 6)</li> <li>Rifornire combustibile ed eventualmente resettare il riscaldatore</li> <li>Svuotare e riempire il serbatoio con combustibile pulito (VEDI PARAG. 9.)</li> <li>Pulire i filtri (VEDI PARAG. 8.)</li> <li>Rivolgersi al centro di assistenza</li> </ol>
Il riscaldatore produce fumo durante il funzionamento	<ol style="list-style-type: none"> <li>Presenza di sostanze estranee nel circuito del combustibile</li> <li>Ostruzione della presa d'aria in entrata</li> <li>Apporto aria non corretto</li> </ol>	<ol style="list-style-type: none"> <li>Svuotare e riempire il serbatoio con combustibile pulito (VEDI PARAG. 9.)</li> <li>Pulire i filtri (VEDI PARAG. 8.)</li> <li>Rivolgersi al centro di assistenza</li> <li> Rimuovere tutte le possibili ostruzioni della presa d'aria</li> <li>Regolare la serranda aria posizionata sotto il ventilatore nella parte posteriore del riscaldatore (verso sinistra la serranda si chiude, verso destra la serranda si apre)</li> </ol>
Il riscaldatore non si spegne	<ol style="list-style-type: none"> <li>Elettronica difettosa</li> </ol>	<ol style="list-style-type: none"> <li>Rivolgersi al centro di assistenza</li> </ol>

**WICHTIG: LESEN UND VERSTEHEN SIE DIESE GEBRAUCHSANLEITUNG, BEVOR SIE DIESES HEIZGERÄT ZUSAMMENBAUEN, IN BETRIEB NEHMEN, ODER WARTEN. EIN FALSCHER GEBRAUCH DES HEIZGERÄTS KANN SCHWERE ODER SOGAR TÖDLICHE VERLETZUNGEN VERURSACHEN. BEWAHREN SIE DIESE GEBRAUCHSANLEITUNG ZUM SPÄTEREN NACHSCHLAGEN AUF.**

## 1. BESCHREIBUNG

Diese Serie von Heissluftgebläsen ist insbesondere zum Heizen von Räumen oder Flächen mit mittleren oder großen Abmessungen geeignet.

Die Heizgeräte mit indirekter Heizung (ABB. 1) ermöglichen durch einen Wärmetauscher, die Verbrennungsgase von der an die Umgebung abgegebenen Heißluft zu trennen. Auf diese Weise kann ein Strom sauberer Heißluft in den Raum geblasen werden, der geheizt werden soll, während die Abgase ins Freie abgeleitet werden.

Diese Heißluftgebläsen sind nach den modernsten Sicherheitskriterien und mit modernsten Funktionen und langer Haltbarkeit ausgelegt. Sicherheitsvorrichtungen gewährleisten immer das korrekte Funktionieren des Heizgeräts.

## 2. INFORMATIONEN ÜBER

### DIE SICHERHEIT

#### HINWEISE



**WICHTIG:** Dieses Gerät eignet sich nicht zur Benutzung von Personen (einschließlich von Kindern) mit eingeschränkten körperlichen, Sinnes- und geistigen Fähigkeiten, oder die in der Benutzung nicht erfahren sind, außer sie werden von einer Person beaufsichtigt, die für ihre Sicherheit verantwortlich ist. Kinder müssen beaufsichtigt werden, um sich zu vergewissern, dass sie nicht mit dem Gerät spielen.



**GEFAHR:** Erstickung durch Kohlenmonoxid kann tödlich sein.

Die ersten Symptome einer Kohlenmonoxidvergiftung ähneln einer Grippe mit Kopfschmerz, Schwindel und/oder Übelkeit. Diese Symptome könnten durch ein fehlerhaftes Funktionieren des Heizgeräts verursacht sein. **FALLS DIESE SYMPTOME AUFTRETEN SOLLTEN, SOFORT INS FREIE GEHEN** und das Heizgerät vom technischen Kundendienst reparieren lassen.

#### ▶▶ 2.1. AUFTANKEN:

- ▶ 2.1.1. Das mit dem Auftanken beauftragte Personal muss qualifiziert sein und voll mit den Anweisungen des Herstellers und den geltenden Vorschriften bezüglich des sicheren Auftankens der Heizgeräte vertraut sein.
- ▶ 2.1.2. Verwenden Sie nur den Brennstofftyp, der ausdrücklich auf der Gerätplakette des Heizgeräts angegeben ist.

- ▶ 2.1.3. Vor dem Auftanken das Heizgerät ausschalten und warten, bis es abgekühlt ist.
- ▶ 2.1.4. Die Lagertanks für den Brennstoff müssen sich in einem separaten Raum befinden.
- ▶ 2.1.5. Alle Brennstofftanks müssen nach den geltenden Vorschriften einen mindesten Sicherheitsabstand vom Heizgerät haben.
- ▶ 2.1.6. Der Brennstoff muss in Räumen aufbewahrt werden, deren Boden kein Durchsickern und kein Tropfen auf darunter befindliche Flammen gestattet, die den Brennstoff entzünden können.
- ▶ 2.1.7. Die Lagerung des Brennstoffs muss gemäß den geltenden Gesetzesvorschriften erfolgen.
- ▶▶ **2.2. SICHERHEIT:**
- ▶ 2.2.1. Das Heizgerät nie in Räumen benutzen, in denen sich Benzin, Lösungsmittel für Lacke, oder andere hoch entflammable Dämpfe befinden.
- ▶ 2.2.2. Halten Sie sich bei der Benutzung des Heizgeräts an alle örtlichen Auflagen und an die geltende Gesetzgebung.
- ▶ 2.2.3. Heizgeräte, die in der Nähe von Zeltplanen, Vorhängen, oder ähnlichen Abdeckmaterialien benutzt werden, müssen in einem Sicherheitsabstand von diesen aufgestellt werden. Es wird auch angeraten, brandhemmende Abdeckmaterialien zu benutzen.
- ▶ 2.2.4. Nur in gut belüfteten Bereichen verwenden. Entsprechend den geltenden Vorschriften für eine entsprechende Öffnung sorgen, durch die Frischluft von draußen zufließen kann.
- ▶ 2.2.5. Das Heizgerät nur mit Strom versorgen, der die auf der Gerätplakette angegebene Spannung und Frequenz hat.
- ▶ 2.2.6. Nur entsprechend an die Erdung angeschlossene Verlängerungskabel verwenden.
- ▶ 2.2.7. Empfohlene mindeste Sicherheitsabstände zwischen dem Heizgerät und entflammaren Stoffen: vorderer Ausgang = 2,5 m; seitlich, oben und an der Rückseite = 1,5 m.
- ▶ 2.2.8. Das heiße oder in Betrieb befindliche Heizgerät auf eine stabile und ebene Fläche stellen, um Brandgefahren zu vermeiden.
- ▶ 2.2.9. Tiere in einem Sicherheitsabstand vom Heizgerät halten.
- ▶ 2.2.10. Das Heizgerät, wenn es nicht in Gebrauch ist, von der Netzsteckdose trennen.
- ▶ 2.2.11. Wenn das Heizgerät von einem Thermostat gesteuert ist, kann es sich in jede beliebigen Moment einschalten.



- ▶ 2.2.12. Das Heizgerät nie in Räumen benutzen, in denen man sich häufig aufhält, und nie in Schlafzimmern.
- ▶ 2.2.13. Die Lufteintrittsöffnung und die Luftaustrittsöffnung (an der Vorderseite) des Heizgeräts niemals blockieren.
- ▶ 2.2.14. Wenn das Heizgerät heiß ist, oder an das Stromnetz angeschlossen, bzw. wenn es in Betrieb ist, darf es nie verschoben, daran hantiert, oder aufgetankt werden und es dürfen daran keine Wartungsarbeiten durchgeführt werden.
- ▶ 2.2.15. Die zuströmende und/oder die austretende Luft nicht kanalisieren, außer mit Originalsets (wo dies vorgesehen ist).
- ▶ 2.2.16. Zwischen entflammaren oder thermolabilen Stoffen (einschließlich des Stromkabels) und den heißen Teilen des Heizgeräts einen entsprechenden Abstand einhalten.
- ▶ 2.2.17. Falls das Stromkabel beschädigt sein sollte, muss es vom technischen Kundendienst ausgetauscht werden, um jedes Risiko zu vermeiden.

### **3. AUSPACKEN**

**HINWEIS: Das Verpackungsmaterial ist kein Spielzeug für Kinder. Den Plastiksack außerhalb der Reichweite von Kindern halten, es besteht Erstickungsgefahr!**

- ▶ 3.1. Alle Verpackungsmaterialien, die zum Verpacken und für den Versand des Heizgeräts benutzt wurden, entfernen. Diese nach den geltenden Vorschriften entsorgen.
- ▶ 3.2. Falls das Heizgerät auf einer Palette geliefert wurde, es vorsichtig von dieser herunter heben.
- ▶ 3.3. Das Gerät auf eventuelle Transportschäden überprüfen. Wenn das Heizgerät beschädigt erscheint, sofort den Händler davon verständigen, bei dem es gekauft wurde.

### **4. ZUSAMMENBAU**

Diese Heizgeräte sind je nach Modell mit Rädern, Griff und einem Kamin ausgestattet (ABB. 2). Diese Bauteile sind zusammen mit den zugehörigen Schrauben in der Verpackung des Heizgeräts enthalten.

### **5. BRENNSTOFF**

**HINWEIS: Das Heizgerät funktioniert nur mit DIESEL oder mit KEROSIN.**

Benutzen Sie nur Diesel oder Kerosin, um das Risiko von Brand oder einer Explosion zu vermeiden. Niemals Benzin, Lacklösungsmittel, Alkohol, oder andere hoch entflammare Brennstoffe benutzen.

Bei sehr niedrigen Temperaturen ungiftige Frostschutzmittel verwenden.

Nur Winter Diesel Unter 5°C.

## **6. FUNKTIONSPRINZIPIEN**

**A. Brennkammer und Brenner, B. Lüfterrad, C. Motor, D. Pumpe, E. Tank, F. Schornsteinanschluss.**

Die Pumpe saugt den Brennstoff vom Tank an und bringt ihn auf den Betriebsdruck. Der Brennstoff wird zur Düse befördert, die ihn in die Brennkammer zerstäubt. Die Verbrennung erfolgt durch ein Luft/Brennstoffgemisch, ihre Produkte werden mit dem Luftfluss, der durch die Drehung des Lüfterrads erzeugt wird, nach außen befördert. Bei den direkten Modellen enden die Verbrennungsprodukte in der geheizten Umgebung, während die Verbrennungsprodukte bei den indirekten Modellen durch eine Kanalisation nach außerhalb des geheizten Raums geleitet werden können. Eine Reihe von Sensoren, die an eine elektronische Steuerkarte angeschlossen sind, prüfen ständig den korrekten Betrieb des Heizgeräts und stoppen den Zyklus im Fall von Anomalien.

## **7. BETRIEB**

**HINWEIS: Lesen Sie vor dem Einschalten des Heizgeräts aufmerksam die „INFORMATIONEN ÜBER DIE SICHERHEIT“ durch.**

- ▶▶ 7.1. **EINSCHALTEN DES HEIZGERÄTS:**
- ▶ 7.1.1. Beachten Sie sämtliche Sicherheitshinweise.
- ▶ 7.1.2. Kontrollieren Sie, ob sich Brennstoff im Tank befindet.
- ▶ 7.1.3. Schließen Sie den Tankdeckel (ABB. 3).
- ▶ 7.1.4. Netzstecker an das Stromnetz anschließen (ABB. 4) (SIEHE SPANNUNG AUF DER „TABELLE DER TECHNISCHEN DATEN“).
- ▶ 7.1.5. Den „EIN/AUS“-Schalter auf „FLAMME“ (A ABB. 5) stellen. Das Heizgerät sollte sich innerhalb weniger Sekunden einschalten. Wenn das Heizgerät nicht startet, lesen Sie bitte Abschnitt „12. FEHLERSUCHE“.
- ▶ 7.1.6. Für maximale Leistung stellen Sie den Leistungsschalter auf die Position „DOPPELTE FLAMME“ (B ABB. 5).
- ▶ 7.1.7. Das Heizgerät kann im Ventilationsmodus verwendet werden, um diese Funktion zu aktivieren, den „EIN/AUS“-Schalter auf die Position „Gebläse“ (A ABB. 5) stellen.
- ▶ 7.1.8. Für die Modelle mit Raumthermostat muss die eingestellte Temperatur überprüft werden (ABB. 6).

**HINWEIS: FALLS SICH DAS HEIZGERÄT AUSSCHALTET, WEIL DER BRENNSTOFF ZU ENDE IST, DEN TANK WIEDER AUFFÜLLEN UND DAS HEIZGERÄT ZURÜCKSETZEN (SIEHE PARAGR. 7.2.).**

**WICHTIG: Bei den indirekten Modellen können die Verbrennungsprodukte ins Freie geleitet werden. FÜHREN SIE DIE KANALISATION ENTSPRECHEND DEN GELTENDEN VORSCHRIFTEN DURCH UND HALTEN SIE DIE ANGABEN IM BETREFFENDEN ABSCHNITT DER GEBRAUCHSANLEITUNG EIN.**

## ►► 7.2. ZURÜCKSETZEN DES HEIZGERÄTS:

Wenn beim Normalbetrieb eine Anomalie auftritt, schaltet das Heizgerät auf Blockade. Wenn der Rücksetzschalter beständig rot leuchtet (ABB. 7) bedeutet das, dass das Heizgerät zurückgesetzt werden muss. Zum Zurücksetzen des Heizgeräts die Reset-Taste ganz eindrücken (ABB. 8). Vor der erneuten Inbetriebnahme des Heizgeräts muss die Ursache, welche die Blockade hervorgerufen hat, gefunden und behoben werden (z.B. verlegte Lufteintritts-/austrittsöffnung, Stopp des Ventilators usw.). Falls das Problem, das die Blockade verursacht hat, nicht gefunden werden kann, muss der Kundendienst eingreifen.

## ►► 7.3. AUSSCHALTEN DES HEIZGERÄTS:

Den Schalter „I/O“ auf „0“ stellen (A ABB. 5). Die Flamme geht aus und der Ventilator dreht sich so lang weiter, bis die Brennkammer vollständig abgekühlt ist. **Den Stecker erst aus der Steckdose ziehen, wenn der Abkühlzyklus ganz beendet ist.**

## **8. REINIGUNG DER FILTER**

**JE NACH DER QUALITÄT DES EINGESETZTEN BRENNSTOFFS KANN EINE REINIGUNG DER FILTER NOTWENDIG WERDEN:**

### ►► 8.1. LADEFILTER (ABB. 9):

- 8.1.1. Den Tankdeckel (A) abnehmen.
- 8.1.2. Den Filter (B) aus dem Tank herausziehen.
- 8.1.3. Den Filter (B) mit reinem Brennstoff reinigen, wobei darauf zu achten ist, ihn nicht zu beschädigen.
- 8.1.4. Den Filter (B) wieder in den Tank einsetzen.
- 8.1.5. Den Deckel (A) schließen.

### ►► 8.2. ANSAUGFILTER (ABB. 10) JE NACH MODELL:

- 8.2.1. Den Becher (A) entfernen.
- 8.2.2. Den Filter (B) aus dem Becher herausziehen, wobei darauf zu achten ist, die Dichtungen sorgfältig aufzubewahren.
- 8.2.3. Den Filter (B) mit reinem Brennstoff reinigen, wobei darauf zu achten ist, ihn nicht zu beschädigen.
- 8.2.4. Den Filter (B) wieder in den Becher einsetzen.
- 8.2.5. Den Becher (A) wieder montieren, wobei darauf zu achten ist, die Dichtungen wieder korrekt anzubringen.

### ►► 8.3. FILTER DER BRENNSTOFFPUMPE:

Siehe Programm für präventive Wartung.

## **9. AUFBEWAHRUNG UND TRANSPORT**

**HINWEIS:** Vor jedweder Ortsverlagerung muss das Heizgerät ausgeschaltet werden (SIEHE PARAGR. 7.3.), die Stromversorgung muss unterbrochen werden, indem der Stecker aus der Steckdose gezogen wird (ABB. 11), warten bis das Heizgerät vollkommen abgekühlt ist und sich vergewissern, dass der Tankdeckel gut verschlossen ist, damit kein Brennstoff austreten kann. Wenn das Heizgerät bewegt wird, muss es in nivellierter Stellung gehalten werden.

**FÜR DIE BESTE AUFBEWAHRUNG DES HEIZGERÄTS WIRD ANGERATEN, DIE FOLGENDE PROZEDUR ZU BEFOLGEN:**

- 9.1. Den Brennstoff aus dem Tank entleeren, indem Sie den Abflusstöpsel am Tankboden entfernen (ABB. 12). Den Brennstoff auf geeignete Weise gemäß den geltenden Vorschriften entsorgen.
- 9.2. Falls noch Rückstände bemerkt werden sollten, sauberen Brennstoff in den Tank gießen und erneut ablassen.
- 9.3. Den Abflusstöpsel und den Tankdeckel schließen.
- 9.4. Zur besten Aufbewahrung des Heizgeräts wird angeraten, es an einen trockenen Ort zu bringen, wo es vor äußeren Schäden geschützt ist.

## **10. ANSCHLIESSEN DES RAUMTHERMOSTATS**

Bei den Modellen mit einer Vorrichtung zum Anschließen eines Thermostats den am Heizgerät angebrachten Stöpsel entfernen und den Raumthermostat (Option) anschließen (ABB. 13-14).

**HINWEIS: VOR DER DURCHFÜHRUNG JEDWEDER WARTUNG ODER REPARATUR MUSS DAS STROMKABEL VOM STROMNETZ GETRENNT WERDEN UND SIE MÜSSEN SICH VERGEWISSERN; DASS DAS HEIZGERÄT KALT IST.**

## 11. PROGRAMM FÜR PRÄVENTIVE WARTUNG

de

BAUTEIL	WARTUNGSHÄUFIGKEIT	WARTUNGSPROZEDUR
Brennstofftank	Einmal jährlich oder je nach Bedarf reinigen	Den Tank entleeren und mit sauberem Brennstoff durchspülen (SIEHE PARAGR. 9.)
Filter	Einmal jährlich oder je nach Bedarf reinigen oder ersetzen (die Unversehrtheit überprüfen)	Die Filter reinigen (SIEHE PARAGR. 8.)
Filter der Brennstoffpumpe	Einmal jährlich oder je nach Bedarf reinigen oder ersetzen (die Unversehrtheit überprüfen)	Wenden Sie sich an den Kundendienst
Elektroden	Je nach Bedarf reinigen	Wenden Sie sich an den Kundendienst
Lüfterrad	Je nach Bedarf reinigen	Wenden Sie sich an den Kundendienst
Brennkammer	Je nach Bedarf reinigen	Wenden Sie sich an den Kundendienst

## 12. FEHLERSUCHE

PROBLEM	MÖGLICHE URSACHE	MÖGLICHE LÖSUNG
Das Heizgerät springt nicht an oder bleibt nicht eingeschaltet	<ol style="list-style-type: none"> <li>1. Hauptschalter auf Stellung „0“</li> <li>2. Keine Stromversorgung</li> <li>3. Stromkabel unterbrochen</li> <li>4. Elektronik blockiert oder defekt</li> <li>5. Falsche Einstellung des Raumthermostats (wenn vorhanden)</li> <li>6. Kein Brennstoff vorhanden</li> <li>7. Vorhandensein eines Fremdkörpers in der Brennstoffleitung</li> </ol>	<ol style="list-style-type: none"> <li>1. Den „EIN/AUS“-Schalter auf „FLAMME“ (A ABB. 5) stellen</li> <li>2a. Das Stromkabel korrekt an die Netzsteckdose anstecken (ABB. 4)</li> <li>2b. Die korrekte Spannung Ihrer Stromanlage überprüfen</li> <li>3. Wenden Sie sich an den Kundendienst</li> <li>4a. Das Heizgerät rücksetzen (SIEHE PARAGR. 7.2.)</li> <li>4b. Wenden Sie sich an den Kundendienst.</li> <li>5. Den Raumthermostat so einstellen, dass er auf eine höhere Temperatur als die der Arbeitsumgebung eingestellt ist (ABB. 6)</li> <li>6. Brennstoff nachtanken und eventuell das Heizgerät rücksetzen</li> <li>7a. Den Tank entleeren und dann wieder mit sauberem Brennstoff füllen (SIEHE PARAGR. 9.)</li> <li>7b. Die Filter reinigen (SIEHE PARAGR. 8.)</li> <li>7c. Wenden Sie sich an den Kundendienst</li> </ol>
Das Heizgerät erzeugt beim Betrieb Rauch	<ol style="list-style-type: none"> <li>1. Vorhandensein eines Fremdkörpers in der Brennstoffleitung</li> <li>2. Die Lufteintrittsöffnung ist verlegt</li> <li>3. Luftzufuhr nicht korrekt</li> </ol>	<ol style="list-style-type: none"> <li>1a. Den Tank entleeren und dann wieder mit sauberem Brennstoff füllen (SIEHE PARAGR. 9.)</li> <li>1b. Die Filter reinigen (SIEHE PARAGR. 8.)</li> <li>1c. Wenden Sie sich an den Kundendienst</li> <li>2. Alle Gegenstände, die möglicherweise die Lufteintrittsöffnung verlegen, entfernen</li> <li>3. Den Luftschieber unter dem Gebläse im hinteren Teil des Heizgerätes einstellen (nach links wird die Zufuhr geschlossen, nach rechts geöffnet)</li> </ol>
Das Heizgerät schaltet sich nicht aus	<ol style="list-style-type: none"> <li>1. Elektronik defekt</li> </ol>	<ol style="list-style-type: none"> <li>1. Wenden Sie sich an den Kundendienst</li> </ol>

**IMPORTANTE: LEA Y COMPRENDA ESTE MANUAL DE OPERACIONES ANTES DE EFECTUAR EL MONTAJE, LA PUESTA EN FUNCIONAMIENTOS O EL MANTENIMIENTO DE ESTE CALEFACTOR. EL USO ERRÓNEO DEL CALEFACTOR PUEDE OCASIONAR LESIONES GRAVES O FATALES. CONSERVE ESTE MANUAL COMO MATERIAL DE REFERENCIA PARA CONSULTARLO EN EL FUTURO.**

## **1. DESCRIPCIÓN**

Esta serie de calefactores de aire caliente está particularmente indicada para la calefacción de locales o espacios de medianas o grandes dimensiones.

Los calefactores de calefacción indirecta (FIG. 1), gracias a un intercambiador de calor, permiten separar los gases de combustión de aire caliente cedidos al ambiente. De este modo, es posible introducir una corriente de aire caliente limpio en el lugar que se debe calentar y transportar al exterior los humos de descarga.

Estos calefactores de aire caliente han sido diseñados según los criterios de seguridad, funcionalidad y duración más modernos. Los dispositivos de seguridad garantizan siempre el correcto funcionamiento del calefactor.

## **2. INFORMACIÓN DE SEGURIDAD ADVERTENCIAS**



**IMPORTANTE:** Este aparato no es apto para el uso por parte de personas (incluidos los niños) con capacidades físicas, sensoriales y mentales reducidas o por personas inexpertas, a menos que estas cuenten con la supervisión de una persona responsable por su seguridad. Se debe controlar a los niños para asegurarse de que no jueguen con el aparato.



**PELIGRO:** La asfixia por óxido de carbono puede ser mortal.

Los primeros síntomas de asfixia por óxido de carbono se asemejan a los de la gripe, con cefaleas, mareos y/o náuseas. Estos síntomas podrían ser ocasionados por el funcionamiento defectuoso del calefactor. **SI SE PRESENTAN ESTOS SÍNTOMAS, SALGA INMEDIATAMENTE AL AIRE LIBRE** y haga reparar el calefactor por el centro de asistencia técnica.

### **▶▶ 2.1. ABASTECIMIENTO:**

▶ 2.1.1. El personal encargado del abastecimiento debe ser personal cualificado y estar totalmente familiarizado con las instrucciones del fabricante y con la normativa vigente en materia del abastecimiento seguro de los calefactores.

▶ 2.1.2. Use únicamente el tipo de combustible que se especifica expresamente en la placa de identificación del calefactor.

▶ 2.1.3. Antes de efectuar el abastecimiento, apague el calefactor y espere hasta que se enfríe.

▶ 2.1.4. Las cisternas de almacenamiento de carburante deben encontrarse en una estructura separada.

▶ 2.1.5. Todos los depósitos de combustible deben encontrarse a una distancia de seguridad mínima del calefactor, según las normas vigentes.

▶ 2.1.6. El combustible debe conservarse en locales cuyo suelo no permita la penetración y el goteo de dicho combustible sobre llamas subyacentes, capaces de ocasionar el encendido de estas.

▶ 2.1.7. La conservación del combustible debe efectuarse según la normativa vigente.

### **▶▶ 2.2. SEGURIDAD:**

▶ 2.2.1. Nunca utilice el calefactor en locales con presencia de bencina, disolventes para pinturas u otros vapores altamente inflamables.

▶ 2.2.2. Durante el uso del calefactor, respete todas las ordenanzas locales y la normativa vigente.

▶ 2.2.3. Los calefactores utilizados en las cercanías de lonas, cortinas u otros materiales similares de cobertura, deben estar situados a una distancia de seguridad de dichos materiales. Se aconseja además utilizar materiales de cobertura de tipo ignífugo.

▶ 2.2.4. Utilícelo únicamente en áreas bien ventiladas. Prevea una abertura adecuada según las normas vigentes, para permitir la entrada de aire fresco desde el exterior.

▶ 2.2.5. Alimente el calefactor únicamente con corriente con la tensión y la frecuencia especificadas en la placa de identificación.

▶ 2.2.6. Utilice únicamente prolongaciones adecuadamente conectadas a masa.

▶ 2.2.7. Las distancias de seguridad mínimas aconsejadas entre el calefactor y las sustancias inflamables son: salida frontal = 2,5 m; lateral, arriba y posterior = 1,5 m.

▶ 2.2.8. Coloque el calefactor caliente, o en funcionamiento, sobre una superficie estable y nivelada, para evitar riesgos de incendio.

▶ 2.2.9. Mantenga los animales a una distancia de seguridad del calefactor.



- ▶ 2.2.10. Cuando no utilice el calefactor, desconéctelo de la toma de red.
- ▶ 2.2.11. El calefactor puede encenderse en cualquier momento cuando esté controlado por un termostato.
- ▶ 2.2.12. Nunca utilice el calefactor en habitaciones frecuentemente habitadas ni en dormitorios.
- ▶ 2.2.13. Nunca bloquee la toma de aire ni la salida de aire (lado frontal) del calefactor.
- ▶ 2.2.14. Cuando el calefactor esté caliente, conectado a la red eléctrica o en funcionamiento, nunca lo desplace, lo manipule ni lo abastezca, ni tampoco realice ninguna intervención de mantenimiento sobre este.
- ▶ 2.2.15. Evite canalizar el aire en entrada y/o salida si no es con los kits originales (cuando esté previsto).
- ▶ 2.2.16. Mantenga una distancia adecuada entre los materiales inflamables o termolábiles (incluido el cable de alimentación) y las partes calientes del calefactor.
- ▶ 2.2.17. Si el cable de alimentación estuviera dañado, deberá ser sustituido por el centro de asistencia técnica para evitar cualquier tipo de riesgos.

### 3. DESEMBALAJE

**ADVERTENCIA:** El material de embalaje no es un juguete para los niños. Mantenga la bolsa de plástico alejada del alcance de los niños, ¡peligro de asfixia!

- ▶ 3.1. Retire todo el material de embalaje utilizado para envolver y enviar el calefactor. Elimínelo según las normas vigentes.
- ▶ 3.2. Si el calefactor estuviera situado sobre una plataforma, bájelo con delicadeza.
- ▶ 3.3. Controle los eventuales daños ocasionados durante el transporte. Si el calefactor estuviera dañado, informe inmediatamente al concesionario al cual se lo ha comprado.

### 4. ENSAMBLAJE

Estos calefactores están equipados con ruedas, manija y conducto de humos, según el modelo (FIG. 2). Estos componentes, equipados con la tornillería de montaje correspondiente, se encuentran en el embalaje del calefactor.

### 5. COMBUSTIBLE

**ADVERTENCIA:** El calefactor funciona únicamente con DIÉSEL o QUEROSENO.

Use únicamente diésel o queroseno, para evitar riesgos de incendio o de explosión. Nunca utilice bencina, nafta, disolventes para pinturas, alcohol u otros combustibles altamente inflamables.

Use aditivos anticongelantes no tóxicos en caso de temperaturas muy bajas.

Se aconseja utilizar gasóleo invernal por debajo de los 5°C.

## 6. PRINCIPIOS DE FUNCIONAMIENTO

A. Cámara y cabeza de combustión, B. Ventilador, C. Motor, D. Bomba, E. Depósito, F. Conducto de humos.

La bomba aspira el combustible del depósito llevándolo a la presión de funcionamiento. El combustible es llevado a la boquilla que lo nebuliza en la cámara de combustión. La combustión se produce mediante una mezcla de aire/combustible y sus productos son impulsados al exterior mediante el flujo de aire generado por la rotación del ventilador. En los modelos directos los productos de la combustión terminan en el ambiente calentado; mientras que en los modelos indirectos los productos de la combustión pueden ser transportados al exterior del ambiente calentado mediante una canalización. Una serie de sensores, conectados a una tarjeta electrónica de control, verifica constantemente el correcto funcionamiento del calefactor, deteniendo el ciclo en el caso de anomalías.

## 7. FUNCIONAMIENTO

**ADVERTENCIA:** Lea atentamente la "INFORMACIÓN DE SEGURIDAD" antes de encender el calefactor.

- ▶▶ 7.1. ENCENDIDO DEL CALEFACTOR:
  - ▶ 7.1.1. Siga todas las instrucciones relativas a la seguridad.
  - ▶ 7.1.2. Controle la presencia de combustible en el depósito.
  - ▶ 7.1.3. Cierre el tapón del depósito (FIG. 3).
  - ▶ 7.1.4. Conecte la clavija de alimentación a la red eléctrica (FIG. 4) (VÉASE LA TENSIÓN EN LA "TABLA DE DATOS TÉCNICOS").
  - ▶ 7.1.5. Coloque el interruptor de encendido en posición "LLAMA" (A FIG. 5). El calentador debería encenderse pocos segundos después. Si el calefactor no se pone en marcha, consulte el apartado "12. LOCALIZACIÓN DEL PROBLEMA".
  - ▶ 7.1.6. Para obtener la máxima potencia colocar el interruptor de potencia en la posición "DOBLE LLAMA" (B FIG. 5).
  - ▶ 7.1.7. El calentador puede usarse en modo ventilador, para activar esta función coloque el interruptor de encendido en la posición "VENTILADOR" (A FIG. 5).
  - ▶ 7.1.8. Para los modelos con termostato ambiente, verifique la temperatura configurada (FIG. 6).
- NOTA:** EN EL CASO DE APAGADO DEL CALEFACTOR DEBIDO AL AGOTAMIENTO DEL COMBUSTIBLE, ABASTEZCA EL DEPÓSITO Y RESTABLEZCA EL CALEFACTOR (VÉASE EL APARTADO 7.2.).

**IMPORTANTE:** En los modelos indirectos, los productos de la combustión pueden ser canalizados al exterior. REALICE LA CANALIZACIÓN SEGÚN LA NORMATIVA VIGENTE Y RESPETE LAS INDICACIONES INCLUIDAS EN LA CORRESPONDIENTE SECCIÓN DEL MANUAL.

### ▶▶ 7.2. RESTABLECIMIENTO DEL CALEFACTOR:

Si se verifican anomalías en el funcionamiento normal, el calefactor se bloquea. Cuando el pulsador de restablecimiento se enciende con luz roja continua (FIG. 7), significa que se debe restablecer el calefactor. Para restablecer el calefactor, presione a fondo el pulsador de restablecimiento (FIG. 8). Antes de volver a poner en funcionamiento el calefactor, se debe detectar y eliminar la causa que ha provocado el bloqueo (por ejemplo, obstrucción de la toma de aire en entrada y/o salida de descarga de aire, parada del ventilador, etc.). Si no fuera posible eliminar el problema que ha ocasionado el bloqueo, haga que intervenga el centro de asistencia técnica.

### ▶▶ 7.3. APAGADO DEL CALEFACTOR:

Coloque el interruptor "I/O" en posición "0" (A FIG. 5). La llama se apaga y el ventilador sigue funcionando hasta que se enfría completamente la cámara de combustión. **No desconecte la toma antes de que se complete el ciclo de enfriamiento.**

## 8. LIMPIEZA DE LOS FILTROS SEGÚN LA CALIDAD DEL COMBUSTIBLE UTILIZADO, PUEDE SER NECESARIO LIMPIAR LOS FILTROS:

### ▶▶ 8.1. FILTRO DE CARGA (FIG. 9):

- ▶ 8.1.1. Quite el tapón (A) del depósito.
- ▶ 8.1.2. Extraiga el filtro (B) del depósito.
- ▶ 8.1.3. Limpie el filtro (B) con combustible limpio, prestando atención para no dañarlo.
- ▶ 8.1.4. Vuelva a montar el filtro (B) en el depósito.
- ▶ 8.1.5. Cierre el tapón (A).

### ▶▶ 8.2. FILTRO DE ASPIRACIÓN, (FIG. 10) SEGÚN EL MODELO:

- ▶ 8.2.1. Quite el recipiente (A).
- ▶ 8.2.2. Extraiga el filtro (B) del recipiente, prestando atención para conservar con cuidado las juntas.
- ▶ 8.2.3. Limpie el filtro (B) con combustible limpio, prestando atención para no dañarlo.
- ▶ 8.2.4. Vuelva a montar el filtro (B) en el recipiente.
- ▶ 8.2.5. Vuelva a montar el recipiente (A) prestando atención para montar correctamente las juntas nuevamente.

### ▶▶ 8.3. FILTRO DE LA BOMBA DE COMBUSTIBLE:

Véase el programa de mantenimiento preventivo.

## 9. CONSERVACIÓN Y TRANSPORTE

**ADVERTENCIA:** Antes de realizar cualquier desplazamiento, se debe parar el calefactor (VÉASE EL APARTADO 7.3.), desconecte la alimentación eléctrica, extrayendo la clavija de la toma eléctrica (FIG. 11), espere hasta que el calefactor se enfríe completamente y compruebe que el tapón del depósito esté bien cerrado para evitar pérdidas de combustible. Cuando se desplace el calefactor, manténgalo en un posición nivelada.

### PARA CONSERVAR EL CALEFACTOR DE FORMA ÓPTIMA, SE ACONSEJA SEGUIR EL PROCEDIMIENTO A CONTINUACIÓN:

- ▶ 9.1. Vacíe el depósito de combustible retirando el tapón de descarga situado sobre el fondo de este (FIG. 12). Desagote el combustible de forma adecuada y según las normas vigentes.
- ▶ 9.2. Si se advierte la presencia de residuos, vierta combustible limpio en el depósito y desagote nuevamente.
- ▶ 9.3. Cierre el tapón de descarga y del depósito.
- ▶ 9.4. Para conservar el calefactor de forma óptima, se aconseja guardarlo en un lugar seco y protegido contra posibles daños externos.

## 10. CONEXIÓN DEL TERMOSTATO AMBIENTE

En los modelos predisuestos con conexión para termostato, retire el tapón conectado al calefactor y conecte el termostato ambiente (opcional) (FIG. 13-14).

**ADVERTENCIA: ANTES DE EFECTUAR CUALQUIER TIPO DE MANTENIMIENTO O REPARACIÓN, DESCONECTE EL CABLE DE ALIMENTACIÓN DE LA RED ELÉCTRICA Y COMPRUEBE QUE EL CALEFACTOR ESTÉ FRÍO.**

## 11. PROGRAMA DE MANTENIMIENTO PREVENTIVO

COMPONENTE	FRECUENCIA DEL MANTENIMIENTO	PROCEDIMIENTO DEL MANTENIMIENTO
Depósito de combustible	Limpie una vez por año o según sea necesario	Vacíe y enjuague el depósito con combustible limpio (VÉASE EL APARTADO 9.)
Filtros	Limpie o sustituya una vez al año o según sea necesario (verifique la integridad)	Limpie los filtros (VÉASE EL APARTADO 8.)
Filtro de la bomba de combustible	Limpie o sustituya una vez al año o según sea necesario (verifique la integridad)	Diríjase al centro de asistencia
Electrodos	Limpie según sea necesario	Diríjase al centro de asistencia
Ventilador	Limpie según sea necesario	Diríjase al centro de asistencia
Cámara de combustión	Limpie según sea necesario	Diríjase al centro de asistencia

es

## 12. LOCALIZACIÓN DEL PROBLEMA

PROBLEMA	POSIBLE CAUSA	POSIBLE SOLUCIÓN
El calefactor no se enciende o no permanece encendido	<ol style="list-style-type: none"> <li>Interruptor de encendido en posición "0"</li> <li>Falta de alimentación</li> <li>Cable de alimentación interrumpido</li> <li>Electrónica en bloqueo o defectuosa</li> <li>Configuración errónea del termostato ambiente (si estuviera presente)</li> <li>Falta de combustible</li> <li>Presencia de sustancias ajenas en el circuito del combustible</li> </ol>	<ol style="list-style-type: none"> <li>Coloque el interruptor de encendido en posición "LLAMA" (A FIG. 5)</li> <li>Introduzca correctamente el cable de alimentación en la toma de la red eléctrica (FIG. 4)</li> <li>Verifique la correcta tensión de su instalación</li> <li>Diríjase al centro de asistencia</li> <li>Restablezca el calefactor (VÉASE EL APARTADO 7.2.)</li> <li>Diríjase al centro de asistencia</li> <li>Actúe sobre el termostato ambiente, configurándolo a una temperatura superior respecto del ambiente de trabajo (FIG. 6)</li> <li>Abastezca con combustible y eventualmente restablezca el calefactor</li> <li>Vacíe y llene el depósito con combustible limpio (VÉASE EL APARTADO 9.)</li> <li>Limpie los filtros (VÉASE EL APARTADO 8.)</li> <li>Diríjase al centro de asistencia</li> </ol>
El calefactor produce humo durante el funcionamiento	<ol style="list-style-type: none"> <li>Presencia de sustancias ajenas en el circuito del combustible</li> <li>Obstrucción de la toma de aire en entrada</li> <li>Incorrecto aporte de aire</li> </ol>	<ol style="list-style-type: none"> <li>Vacíe y llene el depósito con combustible limpio (VÉASE EL APARTADO 9.)</li> <li>Limpie los filtros (VÉASE EL APARTADO 8.)</li> <li>Diríjase al centro de asistencia</li> <li>Quite todas las posibles obstrucciones de la toma de aire</li> <li>Regular la compuerta del aire situada debajo del ventilador en la parte posterior del calentador (hacia la izquierda la compuerta se cierra y hacia la derecha se abre)</li> </ol>
El calefactor se apaga	<ol style="list-style-type: none"> <li>Electrónica defectuosa</li> </ol>	<ol style="list-style-type: none"> <li>Diríjase al centro de asistencia</li> </ol>



**IMPORTANT: LIRE ET COMPRENDRE CE MANUEL D'UTILISATION AVANT DE PROCÉDER A L'ASSEMBLAGE, A LA MISE EN SERVICE OU A LA MAINTENANCE DE CE CHAUFFAGE. L'UTILISATION INCORRECTE DU CHAUFFAGE PEUT CAUSER DES LÉSIONS GRAVES OU FATALES. CONSERVER CE MANUEL EN VUE DE FUTURES CONSULTATIONS.**

fr

## **1. DESCRIPTION**


Ces chauffages d'air chaud sont particulièrement indiqués pour le chauffage de pièces ou d'espaces de moyennes ou grandes dimensions.


Les chauffages à chauffage indirect (FIG. 1), grâce à un échangeur de chaleur, permettent de séparer les gaz de combustion de l'air chaud rejeté dans l'environnement. Ainsi, il est possible d'introduire un courant d'air chaud propre au sein du lieu à chauffer et de convoyer à l'extérieur les fumées d'évacuation.

Ces chauffages d'air chaud ont été conçus selon des critères modernes de sécurité, fonctionnalité et durée. Les dispositifs de sécurité garantissent toujours le bon fonctionnement du chauffage.

## **2. INFORMATIONS SUR LA SÉCURITÉ**

### **AVERTISSEMENTS**

 **IMPORTANT:** Cet appareil n'est pas adapté pour être utilisé par des personnes (y compris les enfants) ayant des capacités physiques, sensorielles et mentales réduites, ou par des personnes inexpérimentées, à moins qu'elles ne soient supervisées par une personne responsable de leur sécurité. Les enfants doivent être surveillés, afin de s'assurer qu'ils ne jouent pas avec l'appareil.

 **DANGER:** L'asphyxie par le monoxyde de carbone peut être fatale.

Les premiers symptômes de l'asphyxie par le monoxyde de carbone ressemblent à ceux de la grippe, avec des maux de tête, des vertiges et/ou des nausées. Ces symptômes pourraient être causés par un fonctionnement défectueux du chauffage. **AU CAS OU CES SYMPTÔMES SE MANIFESTERAIENT, SORTIR IMMÉDIATEMENT A L'EXTÉRIEUR** et faire réparer le chauffage par un centre d'assistance technique.

#### **►► 2.1. RAVITAILLEMENT:**

► 2.1.1. Le personnel préposé au ravitaillement doit être qualifié et avoir une parfaite connaissance des instructions du fabricant et de la réglementation en vigueur relative au ravitaillement des chauffages en toute sécurité.

► 2.1.2. Utiliser uniquement le type de carburant expressément spécifié sur la plaque signalétique du chauffage.

► 2.1.3. Avant d'effectuer le ravitaillement, éteindre le chauffage et attendre qu'il refroidisse.

► 2.1.4. Les citernes de stockage du carburant doivent être situées dans une structure séparée.

► 2.1.5. Tous les réservoirs de combustible doivent être situés à une distance de sécurité minimum du chauffage, conformément aux normes en vigueur.

► 2.1.6. Le combustible doit être conservé dans des lieux dont le sol ne permet pas la pénétration et l'égouttement de celui-ci sur des flammes sous-jacentes qu'il pourrait attiser.

► 2.1.7. La conservation du combustible doit être effectuée conformément à la réglementation en vigueur.

#### **►► 2.2. SÉCURITÉ:**

► 2.2.1. Ne jamais utiliser le chauffage dans des locaux contenant de l'essence, des décapants pour peintures ou d'autres vapeurs hautement inflammables.

► 2.2.2. Pendant l'utilisation du chauffage, respecter tous les arrêtés locaux et la réglementation en vigueur.

► 2.2.3. Les chauffages utilisés à proximité de bâches, de rideaux ou d'autres matériaux de couverture similaires doivent être séparés de ceux-ci par une distance de sécurité. Il est également conseillé d'utiliser des matériaux de couverture de type ignifuges.

► 2.2.4. Utiliser uniquement dans des zones bien ventilées. Prévoir une ouverture appropriée conformément aux normes en vigueur, afin de permettre l'introduction d'air frais provenant de l'extérieur.

► 2.2.5. Alimenter le chauffage seulement avec du courant ayant une tension et une fréquence spécifiées sur la plaque d'identification.

► 2.2.6. Utiliser seulement des rallonges branchées correctement à la masse.

► 2.2.7. Les distances minimales de sécurité conseillées, séparant le chauffage et les substances inflammables sont: sortie avant = 2,5 m ; de côté, en haut et à l'arrière = 1,5 m.

► 2.2.8. Placer le chauffage chaud, ou en marche, sur une surface stable et nivelée, de manière à éviter les risques d'incendie.

► 2.2.9. Garder les animaux à une distance de sécurité du chauffage.

► 2.2.10. Débrancher le chauffage de la prise de courant lorsqu'il n'est pas utilisé.

- ▶ 2.2.11. Lorsqu'il est contrôlé par un thermostat, le chauffage peut s'allumer à tout moment.
- ▶ 2.2.12. Ne jamais utiliser le chauffage dans des pièces souvent habitées ni dans des chambres à coucher.
- ▶ 2.2.13. Ne jamais obstruer la prise d'air (coté arrière), ni la sortie d'air du chauffage.
- ▶ 2.2.14. Quand le chauffage est chaud, ou branché au réseau électrique, ou en marche, ne jamais le déplacer, le manipuler, le ravitailler ou le soumettre à quelque intervention de maintenance que ce soit.
- ▶ 2.2.15. Éviter de canaliser l'air en entrée et/ou en sortie sauf avec le kit original (si prévu).
- ▶ 2.2.16. Maintenir les parties chaudes du chauffage à une distance appropriée des matériaux inflammables ou thermolabiles (y compris le câble d'alimentation.)
- ▶ 2.2.17. Si le câble d'alimentation est endommagé, il doit être remplacé par le centre d'assistance technique, afin d'éviter tout risque.

### 3. DÉBALLAGE

**AVERTISSEMENT:** Le matériel de l'emballage n'est pas un jouet pour enfants. Conserver le sachet en plastique loin de la portée des enfants; danger d'étouffement!

- ▶ 3.1. Retirer tous les matériaux d'emballage utilisés pour conditionner et envoyer le chauffage. Les éliminer selon les normes en vigueur.
- ▶ 3.2. Au cas où le chauffage serait placé sur le marchepied, le faire descendre délicatement.
- ▶ 3.3. Contrôler les éventuels dégâts subis pendant le transport. Si le chauffage est endommagé, informer immédiatement le concessionnaire auprès duquel il a été acheté.

### 4. ASSEMBLAGE

Ces chauffages sont équipés de roues, poignées, et cheminée selon le modèle (FIG. 2). Ces composants, équipés de la boulonnerie correspondante pour le montage, sont situés dans la boîte du chauffage.

### 5. COMBUSTIBLE

**AVERTISSEMENT:** Le chauffage fonctionne uniquement avec du DIESEL ou du KÉROSÈNE.

Utiliser uniquement du diesel ou du kérosène, afin d'éviter tout risque d'incendie ou d'explosion. Ne jamais utiliser de l'essence, du mazout, des décapants pour peintures, de l'alcool ou d'autres combustibles hautement inflammables.

En cas de très basses températures, utiliser des additifs antigel non toxiques.

Nous conseillons d'utiliser du gas-oil hivernal en-dessous des 5°C.

## 6. PRINCIPES DE FONCTIONNEMENT

**A.** Chambre et tête de combustion, **B.** Ventilateur, **C.** Moteur, **D.** Pompe, **E.** Réservoir, **F.** Cheminée.

La pompe aspire le combustible depuis le réservoir en le portant à la pression de fonctionnement. Le combustible est mené à la buse que le nébulise dans la chambre de combustion. La combustion est effectuée par un mélange d'air/combustible et ses produits sont poussés vers l'extérieur au moyen du flux d'air généré par la rotation du ventilateur. Dans les modèles directs, les produits de la combustion finissent dans le milieu chauffé, tandis que dans les modèles indirects, les produits de la combustion peuvent être convoyés à l'extérieur du milieu chauffé, par une canalisation. Différents capteurs, reliés à une carte électronique de contrôle, vérifie constamment le bon fonctionnement du chauffage et interrompt le cycle en cas d'anomalie.

## 7. FONCTIONNEMENT

**AVERTISSEMENT:** Lire attentivement les "INFORMATIONS SUR LA SÉCURITÉ", avant d'allumer le chauffage.

### ▶▶ 7.1. ALLUMAGE DU CHAUFFAGE:

- ▶ 7.1.1. Suivre toutes les instructions relatives à la sécurité.
- ▶ 7.1.2. Contrôler la présence de combustible dans le réservoir.
- ▶ 7.1.3. Fermer le bouchon du réservoir (FIG. 3).
- ▶ 7.1.4. Brancher la fiche d'alimentation au réseau électrique (FIG. 4) (VOIR TENSION DANS LE «TABLEAU DES DONNÉES TECHNIQUES»).
- ▶ 7.1.5. Placer l'interrupteur d'allumage en position «FLAMME» (A FIG. 5). Le réchauffeur devrait s'allumer après quelques secondes. Si le réchauffeur ne démarre pas, consulter le paragraphe «12. IDENTIFICATION DU PROBLÈME».
- ▶ 7.1.6. Pour obtenir la puissance maximum, positionner l'interrupteur de puissance sur «DOUBLE FLAMME» (B FIG. 5).
- ▶ 7.1.7. Le réchauffeur peut être utilisé en mode ventilation, pour activer cette fonction, positionner l'interrupteur d'allumage sur «VENTILATEUR» (A FIG. 5).
- ▶ 7.1.8. Pour les modèles avec thermostat d'ambiance, vérifier la température configurée (FIG. 6).

**N.B.:** EN CAS D'ARRÊT DU CHAUFFAGE DÙ A L'ÉPUISEMENT DU COMBUSTIBLE, REMPLIR LE RÉSERVOIR ET RÉINITIALISER LE CHAUFFAGE (VOIR PARAGR. 7.2.).

**IMPORTANT:** Dans les modèles indirects, les produits de la combustion peuvent être canalisés à l'extérieur. **EFFECTUER LA CANALISATION SELON LA RÉGLEMENTATION EN VIGUEUR ET RESPECTER LES INDICATIONS REPORTÉES DANS LA SECTION SPÉCIALE DU MANUEL.**

fr

## ►► 7.2. RÉINITIALISATION DU CHAUFFAGE:

Si une anomalie survient lors du fonctionnement normal, le chauffage se bloque. Lorsque le bouton de réinitialisation est allumé avec une lumière rouge continue (FIG. 7), cela signifie que le chauffage doit être réinitialisé. Pour réinitialiser le chauffage, appuyer à fond sur le bouton de réinitialisation (FIG. 8) Avant de remettre en marche le chauffage, il faut identifier et supprimer la cause qui a produit le blocage (par exemple, obstruction de la prise d'air en entrée et/ou de refoulement de l'air, arrêt du ventilateur, etc.). S'il n'est pas possible de supprimer le problème qui a provoqué le blocage, faire intervenir le centre d'assistance technique.

## ►► 7.3. EXTINCTION DU CHAUFFAGE:

Placer l'interrupteur «I/O» en position «0» (A FIG. 5). La flamme s'éteint et le ventilateur continue à fonctionner jusqu'au refroidissement complet de la chambre de combustion. **Ne pas débrancher la prise jusqu'à ce que le cycle de refroidissement soit terminé.**

## **8. NETTOYAGE DES FILTRES**

**SELON LA QUALITÉ DU COMBUSTIBLE EMPLOYÉ, LE NETTOYAGE DES FILTRES PEUT ÊTRE NÉCESSAIRE:**

### ►► 8.1. FILTRE DE CHARGEMENT (FIG. 9):

- 8.1.1. Enlever le bouchon (A) du réservoir.
- 8.1.2. Extraire le filtre (B) du réservoir.
- 8.1.3. Nettoyer le filtre (B) avec du combustible propre, en faisant attention de pas l'endommager.
- 8.1.4. Remonter le filtre (B) dans le réservoir.
- 8.1.5. Fermer le bouchon (A).

### ►► 8.2. FILTRE D'ASPIRATION, (FIG. 10) SELON LE MODÈLE:

- 8.2.1. Retirer le verre (A).
- 8.2.2. Extraire le filtre (B) du verre, en faisant attention à conserver avec soin les joints.
- 8.2.3. Nettoyer le filtre (B) avec du combustible propre, en faisant attention de pas l'endommager.
- 8.2.4. Remonter le filtre (B) dans le verre.
- 8.2.5. Remonter le verre (A) en faisant attention à remonter correctement les joints.

### ►► 8.3. FILTRE POMPE COMBUSTIBLE:

Voir le programme de maintenance préventive.

## **9. CONSERVATION ET TRANSPORT**

**AVERTISSEMENT:** Avant tout déplacement, il faut arrêter le chauffage (VOIR PARAG. 7.3.), débrancher l'alimentation électrique, en retirant la fiche de la prise électrique (FIG. 11), attendre le refroidissement complet du chauffage et s'assurer que le bouchon du réservoir soit bien fermé afin d'éviter toute fuite de combustible. Lorsqu'on manutentionne le chauffage, il faut le maintenir en position nivelée.

**AFIN DE CONSERVER LE CHAUFFAGE DE MANIÈRE OPTIMALE, IL EST CONSEILLÉ DE SUIVRE LA PROCÉDURE SUIVANTE:**

- 9.1. Vider le combustible présent dans le réservoir en retirant le bouchon de vidange placé au fond du réservoir (FIG. 12). Éliminer le combustible de façon appropriée et selon les normes en vigueur.
- 9.2. Si l'on constate la présence de résidus, verser du combustible propre dans le réservoir et le vidanger à nouveau.
- 9.3. Fermer le bouchon de vidange et du réservoir.
- 9.4. Afin de conserver le chauffage de manière optimale, il est conseillé de le placer dans un endroit sec et à l'abri des dommages externes possibles.

## **10. BRANCHEMENT DU THERMOSTAT AMBIANT**

Dans les modèles avec prédisposition de branchement thermostat, retirer le bouchon du chauffage et brancher le thermostat d'ambiance (option) (FIG. 13-14).

**AVERTISSEMENT: AVANT D'EFFECTUER TOUTE OPÉRATION DE MAINTENANCE OU DE RÉPARATION, DÉBRANCHER LE CÂBLE D'ALIMENTATION DU RÉSEAU ÉLECTRIQUE ET S'ASSURER QUE LE CHAUFFAGE SOIT FROID.**

## 11. PROGRAMME DE MAINTENANCE PRÉVENTIVE

COMPOSANT	FRÉQUENCE DE MAINTENANCE	PROCÉDURE DE MAINTENANCE
Réservoir du carburant	Nettoyer une fois par an ou en cas de besoin	Vider et rincer le réservoir avec du combustible propre (VOIR PARAG. 9.)
Filtres	Nettoyer ou remplacer une fois par an ou en cas de besoin (vérifier l'intégrité)	Nettoyer les filtres (VOIR PARAG. 8.)
Filtre pompe combustible	Nettoyer ou remplacer une fois par an ou en cas de besoin (vérifier l'intégrité)	Contacter le service après-vente
Électrodes	Nettoyer en cas de besoin	Contacter le service après-vente
Ventilateur	Nettoyer en cas de besoin	Contacter le service après-vente
Chambre de combustion	Nettoyer en cas de besoin	Contacter le service après-vente

fr

## 12. IDENTIFICATION DU PROBLÈME

PROBLÈME	CAUSE POSSIBLE	SOLUTION POSSIBLE
Le chauffage ne s'allume pas ou ne reste pas allumé	<ol style="list-style-type: none"> <li>1. Interrupteur d'allumage en position «0»</li> <li>2. Absence d'alimentation</li> <li>3. Câble d'alimentation coupé</li> <li>4. Électronique bloquée ou défectueuse</li> <li>5. Programmation incorrecte du thermostat d'ambiance (si présent)</li> <li>6. Absence de combustible</li> <li>7. Présence de substances étrangères dans le circuit du combustible</li> </ol>	<ol style="list-style-type: none"> <li>1. Placer l'interrupteur d'allumage en position «FLAMME» (A FIG. 5)</li> <li>2a Brancher correctement le câble d'alimentation à la prise du réseau électrique (FIG. 4)</li> <li>2b. Vérifier la bonne tension de votre installation</li> <li>3. Contacter le service après-vente</li> <li>4a. Réinitialiser le chauffage (VOIR PARAG. 7.2.)</li> <li>4b. Contacter le service après-vente</li> <li>5. Intervenir sur le thermostat d'ambiance, en le réglant à une température supérieure à celle du milieu de travail (FIG. 6)</li> <li>6. Ravitailler en combustible et, éventuellement, réinitialiser le chauffage</li> <li>7a. Vider et remplir le réservoir avec du combustible propre (VOIR PARAG. 9.)</li> <li>7b. Nettoyer les filtres (VOIR PARAG. 8.)</li> <li>7c. Contacter le service après-vente</li> </ol>
Le chauffage produit de la fumée lorsqu'il est en marche	<ol style="list-style-type: none"> <li>1. Présence de substances étrangères dans le circuit du combustible</li> <li>2. Obstruction de la prise d'air en entrée</li> </ol>	<ol style="list-style-type: none"> <li>1a. Vider et remplir le réservoir avec du combustible propre (VOIR PARAG. 9.)</li> <li>1b. Nettoyer les filtres (VOIR PARAG. 8.)</li> <li>1c. Contacter le service après-vente</li> <li>2. Retirer toutes les obstructions possibles de la prise d'air</li> </ol>
Le chauffage ne s'éteint pas	<ol style="list-style-type: none"> <li>1. Électronique défectueuse</li> </ol>	<ol style="list-style-type: none"> <li>1. Contacter le service après-vente</li> </ol>



**BELANGRIJK: DEZE WERKHANDLEIDING EERST LEZEN EN BEGRIJPEN VOOR HET ASSEMBLEREN, DE INWERKINGSTELLING OF HET ONDERHOUD VAN DEZE HEATER UIT TE VOEREN. VERKEERD GEBRUIK VAN DE HEATER KAN ERNSTIGE OF FATALE LETSELS VEROORZAKEN. BEWAAR DEZE HANDLEIDING GOED VOOR RAADPLEGING IN DE TOEKOMST.**

## **1. BESCHRIJVING**


Deze reeks heaters zijn bijzonder aangewezen voor het verwarmen van lokalen of ruimtes van middelgrote tot grote omvang.

De indirecte heaters (FIG. 1) zijn in staat om de verbrandingsgassen te scheiden van de warme lucht die aan de omgeving wordt afgegeven dankzij een warmtewisselaar. Op deze manier is het mogelijk om een zuivere warme luchtstroom af te geven in de plaats die verwarmd moet worden en de uitlaatgassen naar buiten af te voeren.

Deze heaters werden ontworpen volgens de meest moderne criteria voor veiligheid, werking en duur. Veiligheidsvoorzieningen garanderen altijd de correcte werking van de heater.

## **2. AANDACHTSPUNTEN BETREFFENDE DE VEILIGHEID WAARSCHUWINGEN**

 **BELANGRIJK:** Dit toestel is niet geschikt om gebruikt te worden door personen met beperkte fysieke, zintuiglijke en mentale capaciteiten. Tenminste als ze niet onder toezicht staan van een persoon die verantwoordelijk is voor hun veiligheid. Houd het toestel uit de buurt van kinderen.

 **GEVAAR:** Koolmonoxidevergiftiging kan fataal zijn.

De eerste symptomen van koolmonoxidevergiftiging lijken op die van griep, met hoofdpijn, duizeligheid en/of braken. Dergelijke symptomen kunnen veroorzaakt worden door een slechte werking van de heater. **ALS DEZE SYMPTOMEN ZICH ZOULDEN VOORDOEN, MOET MEN ONMIDDELIJK NAAR BUITEN GAAN** en de heater door de technische dienst laten nakijken.

### ▶▶ **2.1. BIJTANKEN:**

- ▶ 2.1.1. Het personeel die de heater tankt moet gekwalificeerd zijn en volledig vertrouwd zijn met de instructies van de fabrikant en met de geldende normen wat betreft het veilig bijtanken van de heater.
- ▶ 2.1.2. Gebruik uitsluitend het type brandstof dat op het identificatieplaatje van de heater is gespecificeerd.
- ▶ 2.1.3. Voor het tanken dient u de heater uit te zetten en wachten tot die is afgekoeld.

▶ 2.1.4. De tanks voor opslag van brandstof moeten in een afzonderlijke ruimte zijn ondergebracht.

▶ 2.1.5. Brandstoftanks moeten op een veilige afstand van de heater zijn, volgens de geldende normen.

▶ 2.1.6. Bewaar de brandstof in ruimten waar de vloer geen penetratie toelaat en geen brandgevaar kan ontstaan wat ontsteking kan veroorzaken.

▶ 2.1.7. Het bewaren van de brandstof dient te gebeuren in overeenstemming met de geldende normen.

### ▶▶ **2.2. VEILIGHEID:**

▶ 2.2.1. Gebruik de heater nooit in lokalen waarin benzine, dampen van verf of andere licht ontvlambare dampen aanwezig zijn.

▶ 2.2.2. Tijdens het gebruik van de heater dient u zich te houden aan alle plaatselijke verordeningen en aan de geldende normen.

▶ 2.2.3. Heaters gebruikt in de buurt van zeilen, gordijnen of andere, gelijkaardige afdekmaterialen, moeten op veilige afstand ervan worden opgesteld. Het is ook aanbevolen om brandvertragende afdekmaterialen te gebruiken.

▶ 2.2.4. Alleen in goed geventileerde zones gebruiken. Voorzie een geschikte opening volgens de geldende normen om verse lucht van buiten aan te voeren.

▶ 2.2.5. Voed de heater uitsluitend met stroom waarvan spanning en frequentie overeenkomen met de specificatie op het identificatieplaatje.

▶ 2.2.6. Gebruik uitsluitend verlengsnoeren die op correcte wijze op een massa zijn aangesloten.

▶ 2.2.7. Aanbevolen veilige afstanden tussen de heater en ontvlambare stoffen zijn: uitgang vooraan minimaal 2,5 meter; opzij, bovenaan en achteraan minimaal 1,5 meter.

▶ 2.2.8. Zet de warme heater of de heater in werking op een stabiel, waterpas oppervlak, om brandgevaar te vermijden.

▶ 2.2.9. Houd dieren op veilige afstand van de heater.

▶ 2.2.10. Haal de stekker van de heater uit het stopcontact wanneer u die niet gebruikt.

▶ 2.2.11. Wanneer de heater door een thermostaat wordt aangestuurd, kan die op elk willekeurig moment inschakelen.

- ▶ **2.2.12. De heater nooit gebruiken in bewoonde kamers of in slaapkamers.**
- ▶ **2.2.13. De luchtinlaat of de luchtuitlaat (voorkant) van de heater nooit blokkeren.**
- ▶ **2.2.14. Wanneer de heater in werking of warm is, of op het elektrische net is aangesloten mag die nooit worden verplaatst, verhandeld, bijgetankt of onderworpen worden aan een onderhoudsinterventie.**
- ▶ **2.2.15. Vermijd om de lucht bij de ingang en/of uitgang te kanaliseren als dit niet met de originele kit gebeurt (waar voorzien).**
- ▶ **2.2.16. Houd voldoende afstand tussen ontvlambare of thermolabele materialen (inclusief de voedingskabel) en de warme delen van de verwarmder.**
- ▶ **2.2.17. Als de voedingskabel beschadigd blijkt, moet deze door de technische dienst worden vervangen om alle risico's te vermijden.**

### **3. UITPAKKEN**

**WAARSCHUWING:** Het verpakkingsmateriaal is geen speelgoed voor kinderen. Houd het plastic uit de buurt van kinderen; verstikkingsgevaar.

- ▶ **3.1.** Verwijder alle verpakkingsmaterialen gebruikt om de heater te verpakken en te verzenden. Gooi ze weg volgens de geldende normen.
- ▶ **3.2.** Wanneer de heater op het opzetje is geplaatst, laat u die er voorzichtig af komen.
- ▶ **3.3.** Controleer of er tijdens het transport geen schade is opgetreden. Als de heater beschadigd lijkt, moet men onmiddellijk de dealer benaderen waar het toestel werd aangekocht.

### **4. ASSEMBLAGE**

Deze heaters zijn voorzien van wielen, een handgreep en schoorsteen dit naargelang het model (FIG. 2). Deze componenten bevinden zich samen met de bijhorende montagebouten in de doos van de heater.

### **5. BRANDSTOF**

**WAARSCHUWING:** De heater werkt alleen op DIESEL of KEROSINE.

Gebruik uitsluitend diesel of kerosine om brandgevaar of ontploffingsgevaar te vermijden. Maak nooit gebruik van benzine, nafta, solventen voor verfstoffen, alcohol of andere zeer ontvlambare brandstoffen. Gebruik niet-giftige antivriesadditieven bij zeer lage temperaturen.

Het is aanbevolen om winterdiesel te gebruiken bij temperaturen onder 5°C.

### **6. WERKINGSPRINCIPES**

**A.** Verbrandingskamer en -kop, **B.** Ventilator, **C.** Motor, **D.** Pomp, **E.** Tank, **F.** Schoorsteen.

De pomp zuigt brandstof aan uit de tank en brengt die op werkdruk. De brandstof wordt naar de straalpijp gebracht die de brandstof in de verbrandingskamer vernevelt. De verbranding vindt plaats via een mengsel van lucht en brandstof, de verbrandingsproducten worden naar buiten gestuwd via de luchtstroom opgewekt door de rotatie van de ventilator. Bij de directe modellen komen de verbrandingsproducten in de verwarmde omgeving terecht, terwijl bij de indirecte modellen de verbrandingsproducten naar buiten kunnen worden afgevoerd, buiten de verwarmde omgeving, door middel van een kanalisering. Een reeks sensoren, die op een elektronische besturingskaart zijn aangesloten, controleren constant de correcte werking van de heater, en stoppen de cyclus wanneer er zich problemen voordoen.

## **7. WERKING**

**WAARSCHUWING:** Lees aandachtig de "AANDACHTSPUNTEN BETREFFENDE DE VEILIGHEID" voordat U de heater aan gaat zetten.

### **▶▶ 7.1. INSCHAKELING VAN DE HEATER:**

- ▶ **7.1.1.** Volg alle instructies met betrekking tot de veiligheid.
- ▶ **7.1.2.** Controleer of er brandstof in de tank aanwezig is.
- ▶ **7.1.3.** Sluit de dop van de tank (FIG. 3).
- ▶ **7.1.4.** Steek de stekker in het stopcontact (FIG. 4) (ZIE SPANNING IN "TABEL TECHNISCHE GEGEVENS").
- ▶ **7.1.5.** Zet de schakelaar voor inschakeling in de stand "VLAM" (FIG. 5). De verwarmder moet binnen enkele seconden aangaan. Als de verwarmder niet opstart, raadpleegt u de paragraaf "12. EEN PROBLEEM UITZOEKEN".
- ▶ **7.1.6.** Om het maximumvermogen te bereiken, de vermogensschakelaar in de stand „DUBBELE VLAM“ zetten (B FIG. 5).
- ▶ **7.1.7.** De verwarmder kan in de modus ventilatie gebruikt worden. Om deze functie te activeren de schakelaar voor inschakeling in de stand „VENTILATOR“ zetten (FIG. 5).
- ▶ **7.1.8.** Bij modellen met omgevingsthermostaat de ingestelde temperatuur controleren (FIG. 6).

**N.B.: WANNEER DE HEATER UITGAAT OMDAT DE BRANDSTOF OP IS, MOET U DE TANK BIJVULLEN EN DE HEATER RESETTEN (ZIE PARAG. 7.2.).**

**BELANGRIJK:** Bij indirecte modellen kunnen de verbrandingsproducten naar buiten worden gekanaliseerd. VOER DE KANALISERING UIT VOLGENS DE GELDENDEN NORMEN EN RESPECTEER DE AANWIJZINGEN VERMELD IN HET BETREFFENDE DEEL VAN DEZE HANDLEIDING.

## ►► 7.2. RESET VAN DE HEATER:

Wanneer er zich een storing in de normale werking voordoet, gaat de heater over naar blokkering. Wanneer de resetknop continu rood oplicht (FIG. 7), betekent dit dat de heater gereset moet worden. Om de heater te resetten drukt u de resetknop helemaal in (FIG. 8). Voordat U de heater in werking gaat stellen, dient u de oorzaak op te sporen en op te lossen die de blokkering heeft voortgebracht (bijvoorbeeld verstopping van de luchtinlaat en/of van de luchtafvoer, stilstand van de ventilator, enz.). Wanneer u er niet in slaagt het probleem op te lossen dat de blokkering heeft veroorzaakt, moet u een interventie door de technische dienst laten uitvoeren.

## ►► 7.3. UITSCHAKELING VAN DE HEATER:

Zet de schakelaar "I/O" op de stand "0" (A FIG. 5). De vlam gaat uit en de ventilator blijft werken tot de verbrandingskamer volledig is afgekoeld. **De stekker niet uittrekken tot de koelcyclus is voltooid.**

## 8. REINIGING VAN DE FILTERS

**AFHANKELIJK VAN DE HOEEVEELHEID BRANDSTOF DIE GEBRUIKT WORDT, KAN HET NODIG ZIJN OM DE FILTERS TE REINIGEN:**

### ►► 8.1. LAADFILTER (FIG. 9):

- 8.1.1. Verwijder de dop (A) van de tank.
- 8.1.2. Haal de filter (B) uit de tank.
- 8.1.3. Reinig de filter (B) met schone brandstof, let op dat u de filter niet beschadigt.
- 8.1.4. Monteer de filter (B) opnieuw in de tank.
- 8.1.5. Sluit de dop (A).

### ►► 8.2. AANZUIGFILTER, (FIG. 10) NAARGELANG HET MODEL:

- 8.2.1. Verwijder de beker (A).
- 8.2.2. Haal de filter (B) uit de beker, let erop dat u de pakkingen met zorg bewaart.
- 8.2.3. Reinig de filter (B) met schone brandstof, let op dat u de filter niet beschadigt.
- 8.2.4. Monteer de filter (B) opnieuw in de beker.
- 8.2.5. Monteer de beker (A) opnieuw, let erop dat u de pakkingen correct opnieuw monteert.

### ►► 8.3. FILTER BRANDSTOFFPOMP:

Zie programma preventief onderhoud.

## 9. BEWARING EN TRANSPORT

**WAARSCHUWING:** Bij het verplaatsen, moet u de heater stoppen (ZIE PARAG. 7.3.), de elektrische voeding uitschakelen door de stekker uit het stopcontact te halen (FIG. 11), wachten tot de verwarmers volledig is afgekoeld en controleren of de dop van de tank goed gesloten is om te vermijden dat er brandstof naar buiten komt. Wanneer u de heater verplaatst, dient u die in horizontale positie te houden.

**OM DE HEATER ZO GOED MOGELIJK TE BEWAREN, IS HET AANBEVOLEN DE VOLGENDE PROCEDURE TE VOLGEN:**

- 9.1. Maak de brandstoftank leeg door de afdop aan de onderkant van de tank weg te nemen (FIG. 12). Verwijder de brandstof op de correcte wijze, in overeenstemming met de geldende normen.
- 9.2. Indien u vaststelt dat er residuen zijn, giet u zuivere brandstof in de tank en laat u die opnieuw af.
- 9.3. Sluit de afdop en de dop van de tank.
- 9.4. Om de heater in goede staat te bewaren, is het aanbevolen om die op te bergen op een droge plaats, beschermt tegen mogelijke externe schade.

## 10. AANSLUITING

### OMGEVINGSTHERMOSTAAT

Bij modellen waar de aansluiting van een thermostaat is voorzien, verwijdert u de dop die op de heater is aangesloten en sluit u de omgevingsthermostaat (optie) aan (FIG. 13-14).



**WAARSCHUWING: VOORDAT ER ONDERHOUD OF REPARATIE WORDT UITGEVOERD, MOET U DE VOEDINGSKABEL LOSKOPPELEN VAN HET ELEKTRISCHE NET EN CONTROLEREN OF DE HEATER KOUD IS.**

## **11. PROGRAMMA VOOR PREVENTIEF ONDERHOUD**

<b>COMPONENT</b>	<b>FREQUENTIE ONDERHOUD</b>	<b>ONDERHOUDSPROCEDURE</b>
Brandstoftank	Eén keer per jaar of bij storingen schoonmaken	De tank volledig leegmaken en spoelen met schone brandstof (ZIE PARAG. 9.)
Filters	Eén keer per jaar of bij storingen schoonmaken of vervangen (controleer de intacte staat)	De filters reinigen (ZIE PARAG. 8.)
Filter brandstofpomp	Eén keer per jaar of bij storingen schoonmaken of vervangen (controleer de intacte staat)	Neem contact op met de technische dienst
Elektroden	Volgens de instructies schoonmaken	Neem contact op met de technische dienst
Ventilator	Volgens de instructies schoonmaken	Neem contact op met de technische dienst
Verbrandingskamer	Volgens de instructies schoonmaken	Neem contact op met de technische dienst

nl

## **12. EEN PROBLEEM UITZOEKEN**

<b>PROBLEEM</b>	<b>MOGELIJKE OORZAAK</b>	<b>MOGELIJKE OPLOSSING</b>
De heater start niet of blijft niet aan	<ol style="list-style-type: none"> <li>Schakelaar voor inschakeling staat op stand "0"</li> <li>Geen voeding</li> <li>Voedingskabel onderbroken</li> <li>Elektronica geblokkeerd of defect</li> <li>Foutieve instelling van de omgevingsthermostaat (waar aanwezig)</li> <li>Geen brandstof</li> <li>Vreemde stoffen aanwezig in het verbrandingscircuit</li> </ol>	<ol style="list-style-type: none"> <li>Zet de schakelaar voor inschakeling in de stand "VLAM" (FIG. 5)</li> <li>Steek de stekker van de voedingskabel correct in het stopcontact (FIG. 4)</li> <li>Controleer of uw systeem de correcte spanning heeft</li> <li>Wendt u tot de technische dienst</li> <li>Reset de heater (ZIE PARAG. 7.2.)</li> <li>Neem contact op met de technische dienst</li> <li>Zet de omgevingsthermostaat op een hogere temperatuur dan de temperatuur van de werkomgeving (FIG. 6)</li> <li>Voeg brandstof toe en reset de heater eventueel</li> <li>De tank volledig leegmaken en vullen met schone brandstof (ZIE PARAG. 9.)</li> <li>De filters reinigen (ZIE PARAG. 8.)</li> <li>Neem contact op met de technische dienst</li> </ol>
De heater produceert rook tijdens de werking	<ol style="list-style-type: none"> <li>Vreemde stoffen aanwezig in het verbrandingscircuit</li> <li>Obstructie van de luchtinlaat</li> <li>Luchttoevoer niet correct</li> </ol>	<ol style="list-style-type: none"> <li>De tank volledig leegmaken en vullen met schone brandstof (ZIE PARAG. 9.)</li> <li>De filters reinigen (ZIE PARAG. 8.)</li> <li>Neem contact op met de technische dienst</li> <li>Verwijder alle mogelijke obstructies van de luchtinlaat</li> <li>Regel de luchtklep die zich onder de ventilator bevindt, achteraan de verwarmers (naar links sluit de klep, naar rechts gaat ze open)</li> </ol>
De heater gaat niet uit	<ol style="list-style-type: none"> <li>Elektronica defect</li> </ol>	<ol style="list-style-type: none"> <li>Neem contact op met de technische dienst</li> </ol>

**IMPORTANTE: LEIA E COMPREENDA ESTE MANUAL OPERATIVO ANTES DE EFETUAR A MONTAGEM, A COLOCAÇÃO EM FUNCIONAMENTO OU A MANUTENÇÃO DESTA AQUECEDOR. O USO ERRADO DO AQUECEDOR PODE CAUSAR LESÕES GRAVES OU FATAIS. CONSERVE ESTE MANUAL PARA FUTURAS CONSULTAS.**

## **1. DESCRIÇÃO**

Esta série de aquecedores de ar quente é particularmente indicada para o aquecimento de locais ou espaços de médias ou grandes dimensões. Os aquecedores de aquecimento indireto (FIG. 1), graças a graças a uma permuta de calor, permitem separar os gases de combustão do ar quente cedido ao ambiente. Desse modo, é possível introduzir uma corrente de ar quente limpo no local a ser aquecido e transportar para fora os fumos de descarga.

Estes aquecedores de ar quente foram projetados de acordo com os mais modernos critérios de segurança, funcionalidade e durabilidade. Os dispositivos de segurança garantem sempre o funcionamento correto do aquecedor.

## **2. INFORMAÇÕES SOBRE A SEGURANÇA ADVERTÊNCIAS**



**IMPORTANTE:** Este aparelho não é adequado para o uso de pessoas (inclusive crianças) com capacidades físicas, sensoriais e mentais reduzidas, ou inexperientes, a menos que sejam supervisionadas por uma pessoa responsável pela segurança destas mesmas pessoas. As crianças devem ser vigiadas para que não brinquem com o aparelho.



**PERIGO:** A asfixia por monóxido de carbono pode ser fatal.

Os primeiros sintomas de asfixia por monóxido de carbono assemelham-se aos da gripe, com cefaleias, tonturas e/ou náusea. Tais sintomas podem ser causados pelo funcionamento defeituoso do aquecedor. **CASO SURJAM TAIS SINTOMAS, SAIR IMEDIATAMENTE PARA O AR LIVRE e solicitar a assistência técnica e a reparação do aquecedor.**

### **▶▶ 2.1. ABASTECIMENTO:**

- ▶▶ 2.1.1. O pessoal encarregado do fornecimento deve ser qualificado e ter total domínio das instruções do fabricante e das normas vigentes em matéria de abastecimento seguro dos aquecedores.
- ▶▶ 2.1.2. Usar somente o tipo de combustível expressamente especificado na placa de identificação do aquecedor.
- ▶▶ 2.1.3. Antes de efetuar o reabastecimento, desligue o aquecedor e espere que arrefeça.

- ▶▶ 2.1.4. Os tanques de armazenamento do combustível devem ficar numa estrutura separada.
- ▶▶ 2.1.5. Todos os reservatórios do combustível devem estar a uma distância mínima de segurança do aquecedor, de acordo com as normas vigentes,
- ▶▶ 2.1.6. O combustível deve ser conservado em locais cujo pavimento não permita a penetração e o gotejamento do mesmo sobre chamas situadas em locais abaixo dele, que possam causar a sua combustão.
- ▶▶ 2.1.7. A conservação do combustível deve ser efetuada em conformidade com a norma vigente.

### **▶▶ 2.2. SEGURANÇA:**

- ▶▶ 2.2.1. Nunca utilizar o aquecedor em locais nos quais haja a presença de gasolina, solventes para tintas ou outros vapores altamente inflamáveis.
- ▶▶ 2.2.2. Durante o uso do aquecedor, seguir todas as regulamentações locais e a norma vigente.
- ▶▶ 2.2.3. Os aquecedores usados nas proximidades de toldos, cortinas, ou outros materiais semelhantes de cobertura, devem estar posicionados a uma distância mínima de segurança. Aconselha-se também usar materiais de cobertura de tipo ignífugo.
- ▶▶ 2.2.4. Utilizar somente em áreas bem ventiladas. Preparar uma abertura adequada conforme as normas vigentes, a fim de introduzir ar fresco de fora.
- ▶▶ 2.2.5. Alimentar o aquecedor com corrente que seja condizente com a especificação de tensão e frequência presente na placa de identificação do aparelho.
- ▶▶ 2.2.6. Utilizar somente extensões adequadamente ligadas à terra.
- ▶▶ 2.2.7. Distâncias mínimas de segurança aconselhadas entre o aquecedor e as substâncias inflamáveis são: saída dianteira = 2,5 m; de lado, na parte superior e atrás = 1,5 m.
- ▶▶ 2.2.8. Colocar o aquecedor quente ou em funcionamento sobre uma superfície estável e nivelada, a fim de evitar riscos de incêndio.
- ▶▶ 2.2.9. Manter os animais uma distância de segurança do aquecedor.
- ▶▶ 2.2.10. Desconectar o aquecedor da tomada de alimentação elétrica após o uso.
- ▶▶ 2.2.11. Quando é controlado por um termóstato, o aquecedor pode ligar a qualquer momento.

- ▶ 2.2.12. Nunca usar o aquecedor em aposentos frequentemente habitados, nem em quartos de dormir.
- ▶ 2.2.13. Nunca bloquear a tomada de ar e nem a saída de ar (lado dianteiro) do aquecedor.
- ▶ 2.2.14. Quando o aquecedor está quente, conectado à rede elétrica ou em funcionamento nunca deve ser deslocado, manuseado ou submetido a nenhuma intervenção de manutenção.
- ▶ 2.2.15. Não canalizar o ar na entrada ou na saída se não for com kits originais (quando previstos).
- ▶ 2.2.16. Manter sempre materiais inflamáveis ou sensíveis a altas temperaturas (incluído o cabo de alimentação) a uma distância adequada em relação às partes quentes do aquecedor.
- ▶ 2.2.17. Se o cabo de alimentação estiver danificado, deverá ser substituído num centro de assistência técnica para prevenir qualquer tipo de risco.

### **3. DESEMBALAGEM**

**ADVERTÊNCIA:** O material da embalagem não é um brinquedo para crianças. Manter o saco de plástico fora do alcance das crianças; perigo de asfixia!

- ▶ 3.1. Remover todos os materiais de embalagem utilizados para embalar e expedir o aquecedor. Eliminá-los de acordo com as normas vigentes.
- ▶ 3.2. Caso o aquecedor de calor esteja colocado numa plataforma, deverá retirar-se o mesmo delicadamente.
- ▶ 3.3. Verificar a eventual ocorrência de danos durante o transporte. Se o aquecedor parecer danificado, informar imediatamente o concessionário que vendeu o produto.

### **4. MONTAGEM**

Estes aquecedores são providos de rodas, alça e chaminé, de acordo com o modelo (FIG. 2). Tais componentes, completados pelos respetivos elementos de fixação para montagem, estão situados na caixa do aquecedor.

### **5. COMBUSTÍVEL**

**ADVERTÊNCIA:** O aquecedor funciona somente com GASÓLEO ou QUEROSENE.

Usar somente gasóleo ou querosene, para evitar riscos de incêndio ou de explosão. Nunca utilizar gasolina, nafta, solventes para tintas, álcool ou outros combustíveis altamente inflamáveis.

Usar aditivos anticongelantes não tóxicos em caso de temperaturas muito baixas.

É aconselhável utilizar gasóleo para inverno quando a temperatura é inferior a 5°C.

## **6. PRINCÍPIOS DE FUNCIONAMENTO**

**A.** Câmara e cabeça de combustão, **B.** Ventoinha, **C.** Motor, **D.** Bomba, **E.** Reservatório, **F.** Chaminé.

A bomba aspira o combustível do reservatório colocando-o na pressão de funcionamento. O combustível é levado até ao bico que o nebuliza na câmara de combustão. A combustão é feita através de uma mistura de ar/combustível e os seus produtos são empurrados para fora através do fluxo de ar gerado pela rotação da ventoinha. Nos modelos diretos os produtos da combustão são emitidos para o ambiente aquecido, ao passo que nos modelos indiretos os produtos da combustão podem ser transportados para fora do ambiente aquecido, por meio de canalização. Vários sensores, ligados a uma placa eletrónica de controlo, verificam constantemente o funcionamento correto do aquecedor, parando o ciclo em caso de anomalias.

## **7. FUNCIONAMENTO**

**ADVERTÊNCIA:** Ler atentamente as "INFORMAÇÕES SOBRE A SEGURANÇA" antes de ligar o aquecedor.

### **▶▶ 7.1. LIGAÇÃO DO AQUECEDOR:**

- ▶ 7.1.1. Seguir todas as instruções relacionadas à segurança.
- ▶ 7.1.2. Controlar a presença de combustível no reservatório.
- ▶ 7.1.3. Fechar a tampa do reservatório (FIG. 3).
- ▶ 7.1.4. Ligar a ficha de alimentação à rede elétrica (FIG. 4) (VER A TENSÃO NA "TABELA DE DADOS TÉCNICOS").
- ▶ 7.1.5. Colocar o interruptor de ligação na posição "CHAMA" (A FIG. 5). O gerador deverá ligar dentro de poucos segundos. Se o gerador não arrancar, consultar o parágrafo "12. IDENTIFICAÇÃO DO PROBLEMA".
- ▶ 7.1.6. Para obter a potência máxima, posicionar o interruptor de alimentação na posição "DUPLA CHAMA" (B FIG. 5).
- ▶ 7.1.7. O aquecedor pode ser usado na modalidade de ventilação; para ativar esta função, posicionar o interruptor de alimentação na posição "VENTOINHA" (A FIG. 5).
- ▶ 7.1.8. Para os modelos com termostato ambiente, verificar a temperatura definida (FIG. 6).

**NOTA:** CASO O AQUECEDOR/CANHÃO DE CALOR SE DESLIGUE POR FALTA DE COMBUSTÍVEL, TEM DE SE ENCHER O DEPÓSITO E REALIZAR RESET AO MESMO (VER PARÁG. 7.2.).

**IMPORTANTE:** Nos modelos indiretos, os produtos da combustão podem ser canalizados para fora. **REALIZAR A CANALIZAÇÃO DE ACORDO COM A NORMA VIGENTE E RESPEITAR AS INDICAÇÕES REFERIDAS NA SECÇÃO ESPECÍFICA DO MANUAL.**

### ▶▶7.2. RESET DO AQUECEDOR:

No caso de anomalia no funcionamento normal, o aquecedor é bloqueado. Quando o botão de reset acende a luz vermelha de modo contínuo (FIG. 7), significa que o aquecedor precisa de um reset. Para realizar o reset do aquecedor, pressionar até ao fim o botão de reset (FIG. 8). Antes de colocar novamente em funcionamento o aquecedor, é necessário identificar e eliminar a causa que determinou o bloqueio (por exemplo, obstrução da tomada de ar na entrada e/ou de ida do ar, paragem do ventilador, etc.). Se não for possível eliminar a causa do problema que determinou o bloqueio, solicitar os serviços do centro de assistência técnica.

### ▶▶7.3. DESLIGAR O AQUECEDOR:

Colocar o interruptor "I/O" na posição "0" (A FIG. 5). A chama apaga e o ventilador continua a funcionar até resfriar completamente a câmara de combustão. **Não desligar a tomada enquanto não for concluído o ciclo de arrefecimento.**

## 8. LIMPEZA DOS FILTROS

**DE ACORDO COM A QUALIDADE DO COMBUSTÍVEL QUE É UTILIZADO, A LIMPEZA DOS FILTROS PODE SER NECESSÁRIA:**

### ▶▶8.1. FILTRO DE CARGA (FIG. 9):

- ▶8.1.1. Remover a tampa (A) do reservatório.
- ▶8.1.2. Extrair o filtro (B) do reservatório.
- ▶8.1.3. Limpar o filtro (B) com combustível limpo, prestando atenção para não danificá-lo.
- ▶8.1.4. Montar novamente o filtro (B) no reservatório.
- ▶8.1.5. Fechar a tampa (A).

### ▶▶8.2. FILTRO DE ASPIRAÇÃO, (FIG. 10) DE ACORDO COM O MODELO:

- ▶8.2.1. Remover o copo (A).
- ▶8.2.2. Extrair o filtro (B) do copo, prestando atenção para conservar com cuidado as guarnições.
- ▶8.2.3. Limpar o filtro (B) com combustível limpo, prestando atenção para não danificá-lo.
- ▶8.2.4. Montar novamente o filtro (B) no copo.
- ▶8.2.5. Montar novamente o copo (A) prestando muita atenção para montar corretamente as guarnições.

### ▶▶8.3. FILTRO BOMBA DE COMBUSTÍVEL:

Ver o programa de manutenção preventiva.

## 9. CONSERVAÇÃO E TRANSPORTE

**ADVERTÊNCIA:** Antes de qualquer deslocamento é necessário parar o aquecedor (VER PARÁG. 7.3.), desligar a alimentação elétrica, extraindo a ficha da tensão elétrica (FIG. 11), aguardar o completo arrefecimento do aquecedor e verificar se a tampa do reservatório está bem fechada para evitar perdas de combustível. Ao movimentar o aquecedor, ele deve ser mantido em uma posição nivelada.

**A FIM DE CONSERVAR DA MELHOR FORMA O AQUECEDOR, ACONSELHA-SE SEGUIR O SEGUINTE PROCEDIMENTO:**

- ▶9.1. Esvaziar o reservatório de combustível removendo a tampa de descarga situada no fundo do reservatório (FIG. 12). Eliminar o combustível de modo apropriado e de acordo com as normas vigentes.
- ▶9.2. Ao notar a presença de resíduos, colocar combustível limpo no reservatório e descarregar novamente.
- ▶9.3. Fechar a tampa de descarga e do reservatório.
- ▶9.4. Para conservar melhor o aquecedor é aconselhável guardá-lo num local seco e protegido contra possíveis danos externos.

## 10. LIGAÇÃO DO TERMÓSTATO AMBIENTE

Nos modelos preparados para a ligação do termóstato, remover a tampa do aquecedor e conectar o termóstato ambiente (opcional) (FIG. 13-14).

**ADVERTÊNCIA: ANTES DE EFETUAR QUALQUER MANUTENÇÃO OU REPARAÇÃO, DESLIGAR O CABO DE ALIMENTAÇÃO DA REDE ELÉTRICA E VERIFICAR SE O AQUECEDOR ESTÁ FRIO.**

## 11. PROGRAMA DE MANUTENÇÃO PREVENTIVA

COMPONENTE	FREQUÊNCIA DE MANUTENÇÃO	PROCEDIMENTO DE MANUTENÇÃO
Reservatório de combustível	Limpar uma vez por ano ou de acordo com a necessidade	Esvaziar e enxaguar o reservatório com combustível limpo (VER PARÁG. 9.)
Filtros	Limpar ou substituir uma vez por ano ou de acordo com a necessidade (verificar a sua integridade)	Limpar os filtros (VER PARÁG. 8.)
Filtro bomba combustível	Limpar ou substituir uma vez por ano ou de acordo com a necessidade (verificar a sua integridade)	Consultar o centro de assistência
Eléttodos	Limpar de acordo com a necessidade	Consultar o centro de assistência
Ventoinha	Limpar de acordo com a necessidade	Consultar o centro de assistência
Câmara de combustão	Limpar de acordo com a necessidade	Consultar o centro de assistência

pt

## 12. IDENTIFICAÇÃO DO PROBLEMA

PROBLEMA	POSSÍVEL CAUSA	POSSÍVEL SOLUÇÃO
O aquecedor não arranca ou não permanece ligado	<ol style="list-style-type: none"> <li>1. Interruptor de ligação na posição "0"</li> <li>2. Falta de alimentação</li> <li>3. Cabo de alimentação interrompido</li> <li>4. Parte eletrónica bloqueada ou defeituosa</li> <li>5. Definição errada do termóstato ambiente (se presente)</li> <li>6. Falta de combustível</li> <li>7. Presença de substâncias estranhas no circuito do combustível</li> </ol>	<ol style="list-style-type: none"> <li>1. Colocar o interruptor de ligação na posição "CHAMA" (A FIG. 5)</li> <li>2a. Inserir corretamente o cabo de alimentação à tomada da rede elétrica (FIG. 4)</li> <li>2b. Verificar a tensão correta do seu sistema</li> <li>3. Consultar o centro de assistência</li> <li>4a. Realizar o reset do aquecedor (VER PARÁG. 7.2.)</li> <li>4b. Consultar o centro de assistência</li> <li>5. Atuar no termóstato ambiente, colocando-o em uma temperatura superior à do ambiente de trabalho (FIG. 6)</li> <li>6. Abastecer com combustível e eventualmente reativar o aquecedor</li> <li>7a. Esvaziar e encher o reservatório com combustível limpo (VER PARÁG. 9.)</li> <li>7b. Limpar os filtros (VER PARÁG. 8.)</li> <li>7c. Consultar o centro de assistência</li> </ol>
O aquecedor produz fumo durante o funcionamento	<ol style="list-style-type: none"> <li>1. Presença de substâncias estranhas no circuito do combustível</li> <li>2. Obstrução da tomada de ar na entrada</li> <li>3. Entrada de ar incorreta</li> </ol>	<ol style="list-style-type: none"> <li>1a. Esvaziar e encher o reservatório com combustível limpo (VER PARÁG. 9.)</li> <li>1b. Limpar os filtros (VER PARÁG. 8.)</li> <li>1c. Consultar o centro de assistência</li> <li>2. Remover as possíveis obstruções da tomada de ar</li> <li>3. Regular regulador de vazão de ar localizado sob o ventilador na parte traseira do aquecedor (à esquerda o regulador de vazão fecha, à direita o regulador de vazão abre)</li> </ol>
O aquecedor não se desliga	<ol style="list-style-type: none"> <li>1. Defeito na parte eletrónica</li> </ol>	<ol style="list-style-type: none"> <li>1. Consultar o centro de assistência</li> </ol>



**VIGTIGT: LÆS OG FORSTÅ DENNE BRUGERMANUAL FØR MONTERING, IBRUGTAGNING ELLER VEDLIGEHOLDELSE AF VARMEBLÆSEREN. FORKERT BRUG AF VARMEBLÆSEREN KAN MEDFØRE ALVORLIGE ELLER LIVSFARLIGE KVÆSTELSER. OPBEVAR MANUALEN MED HENBLIK PÅ SENERE BRUG.**

## 1. BESKRIVELSE

Denne serie af varmeblæsere er specielt egnet til opvarmning af mellemstore og store lokaler eller omgivelser.

Varmeapparater med indirekte opvarmning (FIG. 1) kan ved hjælp af en varmeveksler adskille forbrændingsdampene fra den varme luft, der sendes ud i omgivelserne. På denne måde er det muligt at sende en ren varmluftsstrøm til det sted, som skal opvarmes, og sende udstødningen udenfor.

Disse varmeblæsere er projekteret ved hjælp af de nyeste kriterier for sikkerhed, funktionalitet og varighed. Sikkerhedsanordninger garanterer, at varmeblæseren altid fungerer korrekt.

## 2. IKKERHEDSOPLYSNINGER

### ADVARSLER



**VIGTIGT:** Dette apparat egner sig ikke til at blive brugt af personer (herunder børn) med nedsatte fysiske, sensoriske eller mentale evner, med mindre disse overvåges af en person med ansvar for deres sikkerhed. Børn skal holdes under opsyn for at sikre, at de ikke leger med apparatet.



**FARE:** Kulilteforgiftning kan være dødbringende.

De første symptomer på kulilteforgiftning ligner influenzasyntomer med hovedpine, svimmelhed og/eller kvalme. Disse symptomer kan skyldes en funktionsfejl ved varmeblæseren. **HVIS DISSE SYMPTOMER SKULLE OPSTÅ, SKAL MAN ØJEBLIKKELIGT GÅ UDENFOR** og sørg for at få varmeblæseren repareret på servicecenteret.

### ►► 2.1. PÅFYLDNING:

- 2.1.1. Det personale, som skal sørge for påfyldningen, skal være kvalificeret til det og være fuldt fortrolig med fabrikantens instruktioner og den gældende lovgivning vedrørende sikker påfyldning af varmeapparater.
- 2.1.2. Brug kun den type brændstof, som er udtrykkeligt specificeret på varmeblæserens identifikationsskilt.
- 2.1.3. Før påfyldningen skal varmeblæseren slukkes, og man skal vente, til den er nedkølet.

- 2.1.4. Brændstofbeholdere skal være i en adskilt bygning.
- 2.1.5. Alle brændstofftanke skal befinde sig i en bestemt minimums-sikkerhedsafstand i henhold til de gældende bestemmelser.
- 2.1.6. Brændstoffet skal opbevares i lokaler, hvis gulv ikke tillader nedsivning og dryp fra brændstof ned på flammer, som kan forårsage antændelse.
- 2.1.7. Opbevaring af brændstoffet skal ske i overensstemmelse med de gældende bestemmelser.
- **2.2. SIKKERHED:**
- 2.2.1. Brug aldrig varmeblæseren i lokaler, hvor der findes benzin, fortyndervæske eller andre brændbare dampe.
- 2.2.2. Når varmeblæseren bruges, skal alle lokale regler og bestemmelser overholdes.
- 2.2.3. Varmeblæsere, der bruges i nærheden af presenninger, telte eller andet lignende overdækningsmateriale, skal være i sikkerhedsafstand fra disse. Det tilrådes desuden, at man bruger ikke-brændbare overdækninger.
- 2.2.4. Må kun bruges i områder med god udluftning. Lav en passende åbning i henhold til de gældende bestemmelser, så der kan komme frisk luft ind udefra.
- 2.2.5. Slut kun varmeblæseren til strøm med en spænding og frekvens, der svarer til den, der specificeres på identifikationsskiltet.
- 2.2.6. Brug kun forlængerledninger med en passende jordforbindelse.
- 2.2.7. De tilrådede sikkerhedsafstande, som er nødvendige mellem varmeblæseren og brændbare stoffer er: forreste udgang = 2,5 m; ved siden, ovenover og bagved = 1,5 m.
- 2.2.8. Når varmeblæseren er varm eller kører, skal den stå på en stabil og plan flade, for at undgå brandfare.
- 2.2.9. Hold dyr i sikker afstand af varmeblæseren.
- 2.2.10. Kobl varmeblæseren fra el-stikket, når den ikke er brugt.
- 2.2.11. Når den er termostatstyret, kan varmeblæseren tændes på et hvilket som helst tidspunkt.
- 2.2.12. Brug aldrig varmeblæseren i hyppigt beboede værelser og heller ikke i soveværelser.

- ▶ **2.2.13. Bloker aldrig for varmeblæserens luftudtag eller luftindtag (på forsiden).**
- ▶ **2.2.14. Når apparatet er varmt eller koblet til strømforsyningen, må det aldrig flyttes, håndteres eller påfyldes, og der må ikke foretages vedligeholdelsesarbejder.**
- ▶ **2.2.15. Undgå at kanalisere indgangs- og/eller udgangsluften, hvis det ikke sker med det originale udstyr (hvis det medfølger).**
- ▶ **2.2.16. Hold tilstrækkelig afstand mellem brændbare eller termolabile materialer (herunder el-kablet) og varmeblæserens varme dele.**
- ▶ **2.2.17. Hvis el-kablet er beskadiget, skal det udskiftes af servicecentret for at undgå enhver form for risiko.**

### **3. UDPAKNING**

**ADVARSEL:** Indpakningen er ikke legetøj for børn. Hold plastikposen uden for børns rækkevidde; kvælningrisiko!

- ▶ **3.1.** Fjern alt emballeringsmaterialet, som er brugt til pakning og forsendelse af varmeblæseren. Bortskaf dem i henhold til de gældende bestemmelser.
- ▶ **3.2.** Hvis varmeblæseren er placeret på en rampe, skal den sænkes forsigtigt ned.
- ▶ **3.3.** Kontroller for transportskader. Hvis varmeblæseren er beskadiget, kontaktes forhandleren, hvor apparatet er købt, øjeblikkeligt.

### **4. MONTERING**

Varmeblæserne er forsynet med hjul, håndtag og skorsten, afhængig af modellen (FIG. 2). Disse komponenter, der leveres med tilhørende monteringsbolte, ligger i varmeblæserens emballage.

### **5. BRÆNDSTOF**

**ADVARSEL:** Varmeblæseren virker kun med DIESEL eller PETROLEUM.

Brug kun diesel eller petroleum for at undgå brand- eller eksplosionsfare. Brug aldrig benzin, brændselsolie, fortyndervæsker, alkohol eller andre letantændelige brændstoffer. Brug ugiftige frostvæsker ved meget lave temperaturer. Det tilrådes, at der kun bruges vinterdiesel under 5°C.

### **6. FUNKTIONSPRINCIPPER**

**A.** Forbrændingskammer og -hoved, **B.** Vifte, **C.** Motor, **D.** Pumpe, **E.** Tank, **F.** Skorsten.

Pumpen suger brændstof fra tanken og giver den driftstrykket. Brændstoffet føres til dysen, der forstøver det i brændstokammeret. Forbrændingen sker ved en blanding af luft/brændstof og dens produkter skubbes udad ved hjælp af luftgennemstrømningen, der genereres af viftens rotation. I direkte modeller ender forbrændingsprodukterne i de opvarmede omgivelser, og i indirekte modeller kan forbrændingsprodukterne ledes udenfor de opvarmede omgivelser ved hjælp af kanalisering. En række følere, der er forbundet med et elektronisk styreskema, kontrollerer hele tiden, at varmeblæseren fungerer korrekt, og standser cyklussen, hvis der opstår fejl.

da

## **7. FUNKTION**

**ADVARSEL:** Læs "SIKKERHEDSINFORMATIONER", grundigt, før varmeblæseren tændes.

- ▶▶ **7.1. VARMEBLÆSERENS TÆNDING:**
    - ▶ **7.1.1.** Følg alle sikkerhedsinstrukser.
    - ▶ **7.1.2.** Kontroller, at der er brændstof i tanken.
    - ▶ **7.1.3.** Luk tankdækslet (Fig. 3).
    - ▶ **7.1.4.** Sæt stikket i stikkontakten (Fig. 4) (SE SPÆNDING I "TEKNISK DATATABEL").
    - ▶ **7.1.5.** Sæt afbryderen på "BRÆNDER" (A Fig. 5). Varmeapparatet kan tænde inden for få sekunder. Hvis varmeapparatet ikke starter, se afsnit "12. IDENTIFIKATION AF PROBLEM".
    - ▶ **7.1.6.** For at opnå den maksimale effekt, placer vælgeren for effekten på "DOBBELT BRÆNDER" (B Fig. 5).
    - ▶ **7.1.7.** Varmeapparatet kan anvendes i tilstanden med ventilator, for at aktivere denne funktion, placeres afbryderen på "VENTILATOR" (A Fig. 5).
    - ▶ **7.1.8.** For modeller med rumtermostat, kontroller den indstillede temperatur (Fig. 6).
- N.B.: HVIS VARMEBLÆSEREN SLUKKER, FORDI BRÆNDSTOFFET ER SLUPPET OP, PÅFYLDES TANKEN, OG VARMEBLÆSEREN NULSTILLES (SE KAP. 7.2.).**

**VIGTIGT:** I indirekte modeller kan forbrændingsprodukterne ledes udenfor. UDFØR KANALISERINGEN I HENHOLD TIL DE GÆLDENDE BESTEMMELSER OG OVERHOLD ANVISNINGERNE I DET PÅGÆLDENDE AFSNIT I MANUALEN.

### ▶▶ **7.2. NULSTILLING AF VARMEBLÆSEREN:**

Hvis der skulle opstå fejl i den normale drift, standser varmeblæseren. Når reset-tasten er tændt med kontinuerligt, rødt lys (FIG. 7), betyder

det, at varmeblæseren har brug for nulstilling. For at nulstille varmeblæseren trykkes reset-tasten i bund (FIG. 8). Før varmeblæseren startes, skal man finde og fjerne årsagen til standsningen (for eksempel hindringer i luftindtaget og/eller – udtaget, osv.). Hvis problemet, der har forårsaget standsningen, ikke kan elimineres, skal man søge assistance fra servicecentret.

### ►► 7.3. SLUKNING AF VARMEBLÆSEREN:

Sæt vælgeren "I/O" i position "0" (A FIG. 5). Flammen slukkes og ventilatoren fortsætter med at køre, til forbrændingskammeret er helt afkølet. **Tag ikke stikket ud, før kølecyklussen er helt færdig.**

## 8. RENSNING AF FILTRE

**AFHÆNGIG AF KVALITETEN PÅ DET BRÆNDSTOF, DER ANVENDES, KAN DET VÆRE NØDVENDIGT AT RENSE FILTRENE:**

### ►► 8.1. BELASTNINGSFILTER (FIG. 9):

- 8.1.1. Fjern dækslet (A) fra tanken.
- 8.1.2. Tag filtret (B) ud af tanken.
- 8.1.3. Rens filtret (B) med rent brændstof, og pas på ikke at beskadige det.
- 8.1.4. Sæt filtret (B) tilbage i tanken.
- 8.1.5. Luk dækslet (A).

### ►► 8.2. INDSUGNINGSFILTER, (FIG. 10) AFHÆNGIG AF MODEL:

- 8.2.1. Fjern glasset (A).
- 8.2.2. Træk filtret (B) ud af glasset og pas på at opbevare pakningerne omhyggeligt.
- 8.2.3. Rens filtret (B) med rent brændstof og pas på ikke at beskadige det.
- 8.2.4. Sæt filtret (B) på plads i glasset.
- 8.2.5. Påmonter glasset (A) igen og pas på at pakningerne påsættes korrekt.

### ►► 8.3. FILTER TIL BRÆNDSTOFPUMPE:

Se den forebyggende vedligeholdelsesplan.

## 9. OPBEVARING OG TRANSPORT

**ADVARSEL:** Før enhver form for flytning, skal varmeblæseren slukkes (SE KAP. 7.3.), kobl strømmen fra ved at trække stikket ud af el-kontakten (FIG. 11), vent, til varmeblæseren er fuldstændig afkølet og kontroller, at tankens dæksel er lukket godt til, for at undgå brændstofspild. Når varmeblæseren flyttes, skal den holdes i en horisontal position.

## FOR AT OPBEVARE VARMEBLÆSEREN BEDST MULIGT, BØR MAN FØLGE NEDENSTÅENDE PROCEDURE:

- 9.1. Tøm tanken for brændstof ved at fjerne drænproppen i bunden af tanken (FIG. 12). Bortskaf brændstoffet på behørig vis og i henhold til de gældende bestemmelser.
- 9.2. Hvis der skulle være bundfald, hældes rent brændstof i tanken og den tømmes igen.
- 9.3. Luk drænproppen og tankens dæksel.
- 9.4. For at opbevare varmeblæseren bedst muligt, bør man opbevare den et tørt sted, beskyttet mod eventuelle, udefrakommende skader.

## 10. TILSLUTNING AF RUMTERMOSTAT

På modeller, hvor der kan tilsluttes en rumtermostat, fjernes proppen på varmeblæseren, og rumtermostaten tilsluttes (optional) (FIG. 13-14).

**ADVARSEL: FØR DER FORETAGES NOGEN FORM FOR VEDLIGEHOLDELSE ELLER REPARATION, SKAL EL-KABLET KOBLES FRA STRØMFORSYNINGEN, OG MAN SKAL SIKRE SIG, AT VARMEBLÆSEREN ER KOLD.**

## 11. PROGRAMMA DI MANUTENZIONE PREVENTIVA

KOMPONENT	VEDLIGEHOLDSESFREKVENNS	VEDLIGEHOLDELSESPROCEDURE
Brændstoftank	Rens en gang om året eller efter behov	Tøm tanken og rens den med rent brændstof (SE KAP. 9.)
Filtre	Rens eller udskift en gang om året eller efter behov (kontroller, at de er hele)	Rens filtrene (SE KAP. 8.)
Brændstofpumpefilter	Rens eller udskift en gang om året eller efter behov (kontroller, at det er helt)	Kontakt servicecenter
Elektroder	Rens efter behov	Kontakt servicecenter
Vifte	Rens efter behov	Kontakt servicecenter
Forbrændingskammer	Rens efter behov	Kontakt servicecenter

da

## 12. FEJLFINDING

PROBLEM	MULIG ÅRSAG	MULIG LØSNING
Varmeblæseren starter ikke eller forbliver ikke tændt	<ol style="list-style-type: none"> <li>Tændingskontakten er i position "0"</li> <li>Manglende strøm</li> <li>El-kabel afbrudt</li> <li>Blokeret eller defekt elektronik</li> <li>Forkert indstilling af rumtermostaten (hvis installeret)</li> <li>Manglende brændstof</li> <li>Fremmedlegemer i brændstokredsløbet</li> </ol>	<ol style="list-style-type: none"> <li>Sæt afbryderen på "BRÆNDER" (A Fig. 5)</li> <li>2a. Sæt el-kablet korrekt i el-kontakten (FIG. 4)</li> <li>2b. Kontroller, at spændingen i jeres anlæg er korrekt</li> <li>3. Kontakt servicecenter</li> <li>4a. Nulstil varmeblæseren (SE KAP. 7.2.)</li> <li>4b. Kontakt servicecenter</li> <li>5. Drej på rumtermostaten og sæt den til en højere temperatur end den, der er i driftsomgivelserne (FIG. 6)</li> <li>6. Fyld brændstof på og nulstil eventuelt varmeblæseren</li> <li>7a. Tøm tanken og fyld rent brændstof i (SE KAP. 9.)</li> <li>7b. Rens filtrene (SE KAP. 8.)</li> <li>7c. Kontakt servicecenter</li> </ol>
Varmeblæseren producerer røg under driften	<ol style="list-style-type: none"> <li>Fremmedlegemer i brændstokredsløbet</li> <li>Hindringer i luftindtaget</li> <li>Luftforsyning ikke korrekt</li> </ol>	<ol style="list-style-type: none"> <li>1a. Tøm og fyld tanken med rent brændstof (SE KAP. 9.)</li> <li>1b. Rens filtrene (SE KAP. 8.)</li> <li>1c. Kontakt servicecenter</li> <li>2. Fjern alle mulige hindringer fra luftindtaget</li> <li>3. Juster luftspjældet placeret under ventilatoren bag på varmeapparatet (spjældet lukkes mod venstre og åbnes mod højre)</li> </ol>
Varmeblæseren slukker ikke	<ol style="list-style-type: none"> <li>Defekt elektronik</li> </ol>	<ol style="list-style-type: none"> <li>Kontakt servicecenter</li> </ol>

**TÄRKEÄÄ: LUE JA YMMÄRRÄ TÄMÄ KÄYTTÖOPAS ENNEN TÄMÄN LÄMMITYSLAITTEEN KOKOAMISTA, KÄYTTÖÖNOTTOA TAI HUOLTOA. LÄMMITYSLAITTEEN VÄÄRÄ KÄYTTÖ VAI AIHEUTTAA VAKAVIA HENKILÖVAHINKOJA. SÄILYTÄ TÄTÄ KÄYTTÖOHJETTA TULEVAA TARVETTA VARTEN.**


## **1. KUVAUS**

Tämän sarjan kuumailmalämmityslaitteet sopivat erityisesti keskisuurten ja suurten tilojen lämmitämiseen.

Epäsuoran lämmityksen lämmityslaitteet (KUVA 1) pystyvät lämmönvaihtimen avulla erottamaan palamiskaasut ympäristöön päästettävästä kuumasta ilmasta. Tällä tavoin on mahdollista päästää kuumaa puhdasta ilmaa lämmitettävään tilaan ja ohjata savupäästöt ulos.

Nämä kuumailmalämmityslaitteet on suunniteltu uusimpien turvallisuus-, toimivuus- ja kestävyyskriteereiden mukaan. Turvalaitteet takaavat, että lämmityslaite toimii aina oikealla tavalla.

## **2. TURVALLISUUTEEN LIITTYVÄÄ TIETOA VAROITUKSIA**

 **TÄRKEÄÄ:** Tämä laite ei sovellu fyysisesti tai henkisesti rajoittuneiden henkilöiden käyttöön (lapset mukaan lukien) tai henkilöiden, joilla ei ole käyttöön liittyvää kokemusta, ellei heidän toimintaansa valvo ja opeta heidän turvallisuudesta vastaavat henkilöt. Lapsia on valvottava, jotta varmistetaan että he eivät leiki laitteella.

 **VAARA:** Hiilimonoksidi voi olla hengenvaarallista.

Ensimmäiset hiilimonoksidimyrkytyksen oireet muistuttavat influenssaa ja siihen kuuluu päänsärkyä, huimausta ja/tai pahoinvointia. Kyseiset oireet voivat johtua lämmityslaitteen viallisesta toiminnasta. JOS NÄITÄ OIREITA ILMENEE, SIIRRY HETI ULKOILMAAN ja anna lämmityslaite korjattavaksi tekniseen huoltokeskukseen.

### **►► 2.1. TANKKAUS:**

- 2.1.1. Tankkauksesta huolehtivan henkilöstön on oltava ammattitaitoinen ja tunnettava valmistajan antamat ohjeet sekä generaattoreiden turvalliseen tankkaamiseen liittyvät voimassa olevat määräykset.
- 2.1.2. Käytä yksinomaan lämmityslaitteen kilvessä mainittua polttoainetyppiä.
- 2.1.3. Ennen tankkauksen suorittamista sammuta lämmityslaite ja odota, että se jäähtyy.

- 2.1.4. Polttoaineen varastointisäiliöitä on pidettävä erillisessä rakennuksessa.
- 2.1.5. Kaikkien polttoainesäiliöiden on oltava minimin turvaetäisyyden päässä lämmityslaitteesta voimassa olevien lakien mukaisesti.
- 2.1.6. Polttoainetta on säilytettävä tiloissa joiden lattia ei salli sen tunkeutumista ja tihkumista alla oleviin liekkeihin, jotka voivat saada sen syttymään.
- 2.1.7. Polttoainetta on säilytettävä voimassa olevien asetusten mukaisesti.
- **2.2. TURVALLISUUS:**
- 2.2.1. Älä koskaan käytä lämmityslaitetta tiloissa joissa on bensiiniä, maaleille tarkoitettuja liuotainaineita tai muita erittäin tulenarvoja höyryjä.
- 2.2.2. Lämmityslaitteen käytön aikana noudata kaikkia paikallisia määräyksiä ja voimassa olevia lakeja.
- 2.2.3. Lähellä pressuja, verhoja tai muita samankaltaisia peitemateriaaleja käytettyjä lämmityslaitteita on pidettävä turvaetäisyydellä niistä. Palonkestävien peitemateriaalien käyttö on lisäksi suositeltavaa.
- 2.2.4. Käytä yksinomaan kunnolla tuuletuissa tiloissa. Valmistele sopiva ilmanottoaukko voimassa olevien määräysten mukaisesti, jotta raikasta ilmaa saataisiin ulkoa.
- 2.2.5. Syötä generaattoriin yksinomaan sen tunnistekilvessä merkittyä sähköjännitettä ja -taajuutta.
- 2.2.6. Käytä ainoastaan sopivia maadoitettuja jatkojohtoja.
- 2.2.7. Suositellut turvaetäisyydet lämmityslaitteen ja syttyvien aineiden välillä on: etuosan ulostulo = 2,5 m; sivussa, yläpuolella ja takana = 1,5 m.
- 2.2.8. Aseta kuuma, käynnissä oleva lämmityslaite vakaalle ja tasaiselle pinnalle, jotta tulipalovaaraa voitaisiin välttää.
- 2.2.9. Pidä eläimiä turvaetäisyydellä lämmityslaitteesta.
- 2.2.10. Kytke lämmityslaite irti verkkopistokkeesta, kun sitä ei käytetä.
- 2.2.11. Termostaatin ohjaama lämmityslaite voi käynnistyä minä hetkenä hyvänsä.
- 2.2.12. Älä koskaan käytä lämmityslaitetta yleisesti asutuissa tiloissa äläkä makuuhuoneissa.



- ▶ **2.2.13.** Älä koskaan tuki lämmityslaitteen ilmanottoaukkoa äläkä ilmanpoistoaukkoa (etupuoli).
- ▶ **2.2.14.** Kun lämmityslaite on kuuma, sähköverkkoon kytketty tai käynnissä, sitä ei saa koskaan siirtää, käsitellä, tankata tai huoltaan milteään osin.
- ▶ **2.2.15.** Vältä johtamasta sisään- ja/tai ulos-tuloilmaa muilla kuin alkuperäisillä varuste-sarjoilla (jos olemassa).
- ▶ **2.2.16.** Pidä riittävä etäisyys lämmityslaitteen kuumien osien ja tulenarkojen tai läm-mön vaikutuksesta dissosiotuvien materi-aalien välillä.
- ▶ **2.2.17.** Jos virtajohto vahingoittuu, vaihdata se uuteen teknisessä huollossa, jotta ris-keiltä vältyttäisiin.

### **3. PAKKAUKSESTA POISTAMINEN**

**VAROITUS:** Pakkausmateriaali ei ole lasten leikkikalua. Pidä muovipussi kaukana lapsista; tukehtumisvaara!

- ▶ **3.1.** Poista kaikki lämmityslaitteen lähettämi-seen käytetyt pakkausmateriaalit. Hävitä ne voimassa olevien säädösten mukaan.
- ▶ **3.2.** Jos lämmityslaite on sijoitettu portaalle, laske se alas varovasti.
- ▶ **3.3.** Tarkista mahdolliset kuljetuksen aikana syntyneet vahingot. Jos lämmityslaite näyttää vahingoittuneelta, ilmoita siitä välittömästi liik-keeseen, josta se hankittiin.

### **4. KOKOONPANO**

Nämä lämmityslaitteet on varustettu renkailla, kahvalla ja uunilla mallista riippuen (KUVA 2). Ky-seiset osat on asetettu vastaavien asennusruuvi-en kanssa lämmityslaitteen pakkaukseen.

### **5. POLTTOAINE**

**VAROITUS:** Lämmityslaite toimii ainoastaan DIESELILLÄ TAI KEROSIINILLA.

Käytä yksinomaan dieseliä tai kerosiinia, jotta tu-lipalo- tai räjähdysvaaralta vältyttäisiin. Älä kos-kaan käytä bensiiniä, öljyä, maaleille tarkoitettuja liuottimia tai muita erittäin tulenarkoja polttoainei-ta.

Käytä myrkyttömiä pakkasnesteitä erittäin alhai-sissa lämpötiloissa.

Suosittelomme käyttämään talvikäyttöön tarkoi-tettua dieseliä alle 5°C lämpötiloissa.

### **6. TOIMINTAPERIAATTEET**

**A.** Polttokammio ja palopää, **B.** Tuuletin, **C.** Moottori, **D.** Pumppu, **E.** Säiliö, **F.** Uuni.

Pumppu imee polttoaineen säiliöstä viemällä sen toimintapaineeseen. Polttoaine viedään suuttimeen, joka ruiskuttaa sen polttokammioon. Palaminen tapahtuu ilman/polttoaineen sekoituksen kautta ja palamistuotteet työnnetään ulos tuulettimessa syntyvän ilmapirran avulla. Suoran lämmityksen malleissa palamistuotteet päätyvät lämmitettävään tilaan, kun taas epäsuorissa malleissa palamistuotteet voidaan johtaa ulos lämmitettävästä tilasta kanavoinnin avulla. Elektroniseen ohjaukskorttiin liitetty anturisarja tarkkailee jatkuvasti lämmityslaitteen oikeaa toimintaa ja pysäyttää jakson, jos ongelmia ilmenee.

## **7. TOIMINTA**

**VAROITUS:** Lue huolellisesti "TURVALLISUUTEEN LIITTYVÄT TIEDOT" ennen lämmityslaitteen käynnistämistä.

### **▶▶ 7.1. LÄMMITYSLAITTEEN KÄYNNISTYS:**

- ▶ **7.1.1.** Noudata kaikkia turvallisuuteen liittyviä ohjeita.
- ▶ **7.1.2.** Tarkista, että säiliössä on polttoainetta.
- ▶ **7.1.3.** Kierrä kiinni säiliön tulppa (KUVA 3).
- ▶ **7.1.4.** Yhdistä virransyöttöjohto sähköverkkoon (KUVA 4) (KATSO JÄNNITE KOHDASSA "TEKNISTEN TIETOJEN TAULUKKO").
- ▶ **7.1.5.** Aseta käynnistyskytkin asentoon "LIEKKI" (A KUVA 5). Lämmityslaitteen tulisi käynnistyä muutaman sekunnin sisällä. Jos lämmityslaite ei käynnisty, tutustu kappaleeseen "12. VIANMÄÄRITYS".
- ▶ **7.1.6.** Maksimitohon aikaansaamiseksi sijoita tehokytkin asentoon "KAKSOISLIEKKI" (B KUVA 5).
- ▶ **7.1.7.** Lämmityslaitetta voidaan käyttää tuuletustilassa, tämän toiminnon aktivoimiseksi, aseta käynnistyskytkin asentoon "TUULETIN" (A KUVA 5).
- ▶ **7.1.8.** Malleissa joissa on huonetermostaatti, tarkista asetettu lämpötila (KUVA 6).

**HUOM: JOS LÄMMITYSLAITTEEN SAMMUMINEN JOHTUU POLTTOAINEEN LOPPUMISESTA, LISÄÄ POLTTOAINETTA SÄILIÖÖN JA NOLLAA LÄMMITYSLAITE (KS. KAPPALE 7.2.).**

**TÄRKEÄÄ:** Epäsuoran lämmityksen malleissa palamistuotteet voidaan kanavoida ulkoilmaan. **SUORITA KANAVOINTI VOIMASSA OLEVIEN MÄÄRÄYSTEN MUKAISESTI JA NOUDATA ASIAA KOSKEVASSA KÄYTTÖOPPAAN OSASSA ANNETTUJA OHJEITA.**

## ►► 7.2. LÄMMITYSLAITTEEN NOLLAUS:

Jos normaalissa käytössä huomataan häiriöitä, lämmityslaitteet lukittuu. Kun reset-painike palaa jatkuvasti punaisella valolla (KUVA 7), se tarkoittaa että lämmityslaitteet on nollattava. Lämmityslaitteiden nollaamiseksi paina reset-painike pohjaan (KUVA 8). Ennen lämmityslaitteiden käyttöönottoa on tunnistettava ja poistettava ongelma, joka aiheutti lukituksen (esimerkiksi, ilman sisäänoton ja/tai ulostulon tukkeutuminen, puhaltimen pysähtyminen, jne.). Jos lukituksen aiheuttamaa ongelmaa ei pystytä poistamaan, anna laitteen ongelma teknisen huoltopalvelun hoidettavaksi.

## ►► 7.3. LÄMMITYSLAITTEEN

### **SAMMUTUS:**

Vie kytkin "I/O" asentoon "0" (A KUVA 5). Liekki sammuu ja puhallin jatkaa toimintaansa, kunnes polttokammio on täysin jäähtynyt. **Älä irrota pistoketta, ennen kuin jäähdytysjakso on päättynyt.**

## **8. SUODATTIMIEN**

### **PUHDISTUS**

KÄYTETYN POLTTOAINEEN LAADUSTA RIIPPUEN SUODATTIMIEN PUHDISTUS VOI OLLA TARPEEN:

#### ►► 8.1. TÄYTTÖSUODATIN (KUVA 9):

- 8.1.1. Kierrä säiliön korkki (A) auki.
- 8.1.2. Irrota suodatin (B) säiliöstä.
- 8.1.3. Puhdista suodatin (B) puhtaalla polttoaineella varoen ettet vahingoita sitä.
- 8.1.4. Asenna suodatin (B) takaisin säiliöön.
- 8.1.5. Sulje korkki (A).

#### ►► 8.2. IMUSUODATIN (KUVA 10),

##### **MALLIN MUKAAN:**

- 8.2.1. Poista malja (A).
- 8.2.2. Irrota suodatin (B) maljasta ja säilytä tiivisteet huolella.
- 8.2.3. Puhdista suodatin (B) puhtaalla polttoaineella varoen ettet vahingoita sitä.
- 8.2.4. Asenna suodatin (B) takaisin maljaan.
- 8.2.5. Aseta malja (A) takaisin ja asenna tiivisteet huolellisesti oikealle paikalleen.

#### ►► 8.3. POLTTOAINEPUMPUN

##### **SUODATIN:**

Katso esihuolto-ohjelma.

## **9. SÄILYTYS JA KULJETUS**

**VAROITUS:** Ennen minkäänlaista siirtämistä, lämmityslaitteet on sammutettava (KATSO KAP. 7.3), kytke sähkövirran syöttö pois vetämällä pistoke pistorasiasta (KUVA 11), odota lämmityslaitteiden täydellistä jäähtymistä ja varmista, että säiliön korkki on hyvin kiinni välttääksesi polttoaineen läikkymistä. Kun liikutat lämmityslaitetta, pidä se vakaassa asennossa.

### **LÄMMITYSLAITTEEN SÄILYTYKSEN KANNALTA ON SUOSITELTAVAA NOUDATTAA SEURAAVAA MENETELMÄÄ:**

- 9.1. Tyhjennä polttoainesäiliö täysin poistamalla tyhjennyskorkki säiliön pohjasta (KUVA 12). Hävitä polttoaine sopivalla tavalla ja noudattaen voimassa olevia määräyksiä.
- 9.2. Jos jäämiä ilmenee, kaada puhdasta polttoainetta säiliöön ja tyhjennä se uudelleen.
- 9.3. Sulje tyhjennyskorkki ja säiliö.
- 9.4. Lämmityslaitteiden säilytyksen kannalta suosittelemme asettamaan sen kuivaan paikkaan, jossa se on suojassa ulkoisilta riskitekijöiltä.

## **10. HUONETERMOSTAATIN**

### **LIITTÄMINEN**

Malleissa, joissa on mahdollisuus termostaatin liittämiseen, poista lämmityslaitteeseen liitetty korkki ja liitä siihen huonetermostaatti (lisävaruste) (KUVA 13-14).

**VAROITUS: ENNEN MINKÄ TAHANSA HUOLTO- TAI KORJAUSTYÖN SUORITTAMISTA KYTKE VIRTajohto irti sähköverkosta ja varmista, että lämmityslaite on kylmä.**

## 11. ESIHUOLTO-OHJELMA

OSA	HUOLLON TIHEYS	HUOLTOMENETELMÄ
Polttoainesäiliö	Puhdista kerran vuodessa tai tarvittaessa	Tyhjennä ja huuhtele säiliö puhtaalla polttoaineella (KS. KAPPALE 9.)
Suodattimet	Puhdista ja vaihda kerran vuodessa tai tarvittaessa (tarkista ehjyys)	Puhdista suodattimet (KS. KAPPALE 8.)
Polttoainepumpun suodatin	Puhdista ja vaihda kerran vuodessa tai tarvittaessa (tarkista ehjyys)	Käännä teknisen huollon puoleen
Elektrodit	Puhdista tarvittaessa	Käännä teknisen huollon puoleen
Puhallin	Puhdista tarvittaessa	Käännä teknisen huollon puoleen
Polttokammio	Puhdista tarvittaessa	Käännä teknisen huollon puoleen

## 12. VIANMÄÄRITYS

ONGELMA	MAHDOLLINEN SYY	MAHDOLLINEN RATKAISU
Lämmityslaite ei käynnisty tai se ei pysy päällä	<ol style="list-style-type: none"><li>Käynnistyskytkin asennossa "0"</li><li>Virransyöttö puuttuu</li><li>Virtajohto katkennut</li><li>Elektroniikka lukittuna tai vahingoittunut</li><li>Huonetermostaatin väärä ohjelmointi (jos käytössä)</li><li>Polttoaine puuttuu</li><li>Vieraita aineita polttoainepiirissä</li></ol>	<ol style="list-style-type: none"><li>Aseta käynnistyskytkin asentoon "LIEKKI" (A KUVA 5)</li><li>2a. Aseta virtajohto oikein sähköpistorasiaan (KUVA 4)</li><li>2b. Tarkista järjestelmäsi oikea jännite</li><li>3. Käännä teknisen huollon puoleen</li><li>4a. Nollaa lämmityslaite (KS. KAPPALE 7.2.)</li><li>4b. Käännä teknisen huollon puoleen.</li><li>5. Säädä huonetermostaattia kääntämällä se työympäristöön nähden korkeampaan lämpötilaan (KUVA 6)</li><li>6. Tankkaa polttoainetta ja nollaa lämmityslaite tarvittaessa</li><li>7a. Tyhjennä ja täytä säiliö puhtaalla polttoaineella (KS. KAPPALE 9.)</li><li>7b. Puhdista suodattimet (KS. KAPPALE 8.)</li><li>7c. Käännä teknisen huollon puoleen.</li></ol>
Lämmityslaite tuottaa savua toiminnan aikana	<ol style="list-style-type: none"><li>Vieraita aineita polttoainepiirissä</li><li>Tukos ilmanottoaukossa</li><li>Ilmansuhde ei oikea</li></ol>	<ol style="list-style-type: none"><li>1a. Tyhjennä ja täytä säiliö puhtaalla polttoaineella (KS. KAPPALE 9.)</li><li>1b. Puhdista suodattimet (KS. KAPPALE 8.)</li><li>1c. Käännä teknisen huollon puoleen</li><li>2. Poista kaikki mahdolliset tukokset ilmanottoaukosta</li><li>3. Säädä lämmittimen takaosaan tuulettimen alle sijoitettua ilman suljinta (vasemmalle päin suljin sulkeutuu, oikealle päin suljin avautuu)</li></ol>
Lämmityslaite ei sammu	<ol style="list-style-type: none"><li>Viallinen elektroniikka</li></ol>	<ol style="list-style-type: none"><li>Käännä teknisen huollon puoleen</li></ol>

**VIKTIG: LES OG FORSTÅ DENNE MANUALEN FØR MONTERING, IGANGKJØRING ELLER VEDLIKEHOLD AV DETTE VARMEAPPARATET. FEIL BRUK AV VARMEAPPARATET KAN RESULTERE I ALVORLIGE ELLER DØDELIGE SKADER. TA VARE PÅ DENNE MANUALEN FOR FREMTIDIG REFERANSE.**


## **1. BESKRIVELSE**

Denne serien av varmlufts varmeapparater er spesielt egnet for oppvarming av lokaler eller rom av middels eller stor størrelse.

Varmerapparat med indirekte oppvarming (FIG. 1), takket være en varmeveksler, tillates separering av forbrenningsgass fra den varme luften som slippes ut i omgivelsene. På denne måten er det mulig å føre inn en strøm av ren varmluft til området som skal varmes opp og føre ut avgassrøyk på utsiden

Disse varmlufts varmeapparatene har blitt utformet i henhold til de mest moderne standarder for sikkerhet, funksjonalitet og holdbarhet. Sikkerhetsinnretninger sørger alltid for riktig virkemåte av varmeapparatet.

## **2. SIKKERHETSINFORMASJON ADVARSLER**

 **VIKTIG:** Dette apparatet er ikke egnet for bruk av personer (inkludert barn) med redusert fysisk-, sanselig- eller mental kapasitet, eller uerfarne, med mindre de blir overvåket av en person som er ansvarlig for deres sikkerhet. Barn må holdes under oppsyn for å sikre at de ikke leker med apparatet.

 **FARE:** Oksygenmangel etter inhalering av karbonmonoksid kan være dødelig.

De første symptomene på oksygenmangel fra karbonmonoksid ligner på influensasymptomer, med hodepine, svimmelhet, og/eller kvalme. De nevnte symptomene kan være forårsaket av en funksjonsfeil på varmeapparatet. **DERSOM SLIKE SYMPTOMER SKULLE FOREKOMME, GÅ UMIDDELBART UTENDØRS** og lever apparatet til serviceverksted for kontroll og reparasjon.

### **►► 2.1. FORSYNING:**

► 2.1.1. Personalet som er ansvarlig for å fylle brennstoff, må være kvalifisert og meget fortrolig med produsentens bruksanvisninger og de forskrifter som regulerer sikker forsyning av varmeapparater.

► 2.1.2. Anvend kun den type brennstoff som er angitt på varmeapparatets typeskilt.

► 2.1.3. Før fylling av brennstoff, steng av varmeapparatet og vent på at det avkjøles.

► 2.1.4. Brennstofftankene må oppbevares på et annet sted.

► 2.1.5. Alle brennstofftanker må være på en minimums sikkerhetsavstand fra varmeapparatet, i henhold til gjeldende standarder.

► 2.1.6. Brennstoff må lagres i lokaler hvis gulv ikke tillater inntrengning og drypping fra denne på omkringliggende flammer, som kan forårsake antenning.

► 2.1.7. Lagring av brennstoff skal utføres i henhold til gjeldende bestemmelser.

### **►► 2.2. SIKKERHET:**

► 2.2.1. Bruk aldri varmeapparatet i rom der det finnes bensin, løsemidler eller annen lettantennelig damp.

► 2.2.2. Under bruk av varmeapparatet, følg alle lokale forskrifter og gjeldende bestemmelser.

► 2.2.3. Varmeapparater som brukes i nærheten av presenninger, telt eller andre lignende tildekningsmaterialer, må plasseres i trygg avstand fra dem. Det anbefales også at disse er laget av brannsikkert materiale.

► 2.2.4. Bruk bare på godt ventilerte steder. Forbered en tilstrekkelig åpning før bruk i henhold til gjeldende forskrifter, for å få inn frisk luft utenfra.

► 2.2.5. Forsyn varmeapparatet kun med den spenning og frekvens som er angitt på merkeskiltet.

► 2.2.6. Bruk bare skjøteledninger med jordet uttak.

► 2.2.7. Minimums sikkerhetsavstander, mellom varmeapparatet og brennbart materiale er: utgang foran = 2,5 m; på siden, i høyden og på baksiden = 1,5 m.

► 2.2.8. Sett varmeapparatet på en jevn og stabil overflate når den er varm eller i bruk.

► 2.2.9. Hold dyr på sikker avstand fra varmeapparatet.

► 2.2.10. Koble fra stikkontakten på varmeapparatet når det ikke er i bruk.

► 2.2.11. Når varmeapparatet kontrolleres av en termostat, kan den starte når som helst.

► 2.2.12. Bruk aldri varmeapparatet i rom man ofte oppholder seg i, heller ikke soverom.

- ▶ **2.2.13.** Blokker aldri hverken luftinntaket eller luftuttaket (på forsiden) av varmeapparatet.
- ▶ **2.2.14.** Når varmeapparatet er varmt, eller koblet til elektrisk strøm eller er i funksjon, må det aldri flyttes, håndteres, påfylles brennstoff eller utføres vedlikehold på.
- ▶ **2.2.15.** Unngå å styre luft som kommer inn og/eller ut dersom dette ikke kan gjøres med originalt utstyrsett (der dette finnes).
- ▶ **2.2.16.** Oppretthold en passende distanse fra brennbart eller varmelabilt materiale (inkludert strømledningen) fra de varme delene av apparatet.
- ▶ **2.2.17.** Hvis strømledningen er skadet må den, for å unngå enhver risiko, byttes ut av serviceverksted.

### 3. UTPAKKING

**ADVARSEL:** Materialet fra emballasjen er ikke et leketøy for barn. Hold plastposen utilgjengelig for barn; fare for kvelning!

- ▶ **3.1.** Fjern all emballasje som brukes til å pakke og sende varmeapparatet. Kast disse i henhold til gjeldende bestemmelser.
- ▶ **3.2.** Hvis varmeapparatet skulle ha blitt plassert på rampen, la det føres forsiktig ned.
- ▶ **3.3.** Sjekk for eventuell skade påført under transport. Dersom varmeapparatet er skadet, må dette umiddelbart meldes fra til forhandleren der det ble kjøpt.

### 4. MONTERING

Disse varmeapparatene er utstyrt med hjul, håndtak, og adapter for skorstein avhengig av modellen (FIG. 2). Disse komponentene, inkludert tilhørende monteringsutstyr, ligger i varmeapparatets emballasje.

### 5. BRENNSTOFF

**ADVARSEL:** Varmeapparatet fungerer kun på DIESEL eller PARAFIN.

Anvend kun diesel eller parafin, for å unngå brann- og eksplosjonsfare. Bruk aldri bensin, nafta, malingsfortynner, alkohol eller andre brannfarlige brennstoff.

Bruk ikondensfjærner ved meget lave temperaturer.

Det anbefales å bruke vinterdiesel ved temperatur under 5°C.

## 6. PRINSIPPER FOR BRUKSMÅTE

**A.** Forbrenningskammer, **B.** Vifte, **C.** Motor, **D.** Pumpe, **E.** Tank, **F.** Pipe.

Pumpen suger brennstoffet fra tanken og bringer den til driftstrykk. Brennstoffet blir brakt til en dyse som fortetter dette inn i forbrenningskammeret. Forbrenningen skjer ved hjelp av en blanding av luft / brennstoff og deres utslipp blir skjøvet til utsiden gjennom luftstrømmen generert av viftens rotasjon. I de direkte modellene ender forbrenningsutslippene opp i det oppvarmede området, mens i de indirekte modellene blir avgassen ledet ut av rommet gjennom skorstein. En rekke sensorer, koblet til et elektronisk kontrollkort, sjekker hele tiden riktig bruk av varmeapparatet, og syklusen stoppes i tilfelle uregelmessigheter.

## 7. BRUKSMÅTE

**ADVARSEL:** Les nøye "SIKKERHETSINFORMASJON", før varmeapparatet slås på.

- ▶▶ **7.1. SLÅ PÅ VARMEAPPARATET:**
  - ▶ **7.1.1.** Følg alle sikkerhetsinstruksjonene.
  - ▶ **7.1.2.** Sjekk at det finnes drivstoff i tanken.
  - ▶ **7.1.3.** Lukk tankdekselet (FIG. 3).
  - ▶ **7.1.4.** Koble støpselet til strømmettet (FIG. 4) (SE SPENNING I "TABELL FOR TEKNISKE DATA").
  - ▶ **7.1.5.** Sett på-bryteren i "FLAMME"-posisjon (A FIG. 5). Varmeapparatet skal slås på innen få sekunder. Dersom varmeapparatet ikke starter, se paragraf "12. PROBLEMIDENTIFISERING".
  - ▶ **7.1.6.** For å oppnå maksimal effekt, sett strømbryteren i "DOBBEL FLAMME"-posisjon (B FIG. 5).
  - ▶ **7.1.7.** Varmeapparatet kan brukes i ventilasjonsmodus, for å aktivere denne funksjonen plasseres på-bryteren i "VIFTE"-posisjon (A FIG. 5).
  - ▶ **7.1.8.** For modeller med romtermostat, kontroller den innstilte temperaturen (FIG. 6).

**MERK: DERSOM VARMEAPPARATET SLÅS AV GRUNNET MANGEL PÅ BRENNSTOFF, Fyll på tanken og NUSTILL VARMEAPPARATET (SE PUNKT. 7.2.).**

**VIKTIG:** På de indirekte modellene kan utslippene fra forbrenningen kanaliseres på utsiden. UTFØR KANALISERINGEN I HENHOLD TIL GJELDENDE BESTEMMELSER OG RESPEKTER DE ANVISNINGER SOM ER Å FINNE I DET RESPEKTIVE AVSNITTET I MANUALEN.



## ►► 7.2. TILBAKESTILLE

### VARMEAPPARATET:

Dersom det oppstår en funksjonsfeil ved normalbruk, stoppes varmeapparatet. Når reset-knappen lyser rødt uten å blinke (FIG. 7), betyr det at varmeapparatet må tilbakestilles. For å tilbakestille, trykk reset-knappen helt ned (FIG. 8). Før varmeapparatet settes i gang igjen, må man identifisere og eliminere årsaken til stans (for eksempel tilstopping av den inngående lufttilførselen og/eller luftuttaket, stopp av viften, o.l.). Dersom man ikke finner feilen, lever apparatet til serviceverksted.

### ►► 7.3. SLÅ AV VARMEAPPARATET:

Settbryteren "I/O" i posisjon "0" (AFIG. 5). Flammen slukner og viften fortsetter å gå inntil fullstendig avkjøling av forbrenningskammeret. **Ikke koble fra kontakten før avkjølingscyklusen er fullført.**

## 8. RENGJØRING AV FILTER

AVHENGIG AV KVALITETEN PÅ DET ANVENDTE BRENNSTOFF, KAN RENGJØRING AV FILTRENE VÆRE NØDVENDIG:

### ►► 8.1. PÅFYLLINGSSIL (FIG. 9):

- 8.1.1. Fjern lokket (A) fra tanken.
- 8.1.2. Fjern silen (B) fra tanken.
- 8.1.3. Rengjør silen (B) med rent brennstoff. Vær oppmerksom, slik at det ikke skades.
- 8.1.4. Fest silen (B) i tanken igjen.
- 8.1.5. Monter lokket (A).

### ►► 8.2. INNTAKSFILTER, (FIG. 10)

AVHENGIG AV HVILKEN MODELL:

- 8.2.1. Fjern koppen (A).
- 8.2.2. Dra ut filteret (B) fra koppen, mens man er oppmerksom på å håndtere pakningene med forsiktighet.
- 8.2.3. Rengjør filteret (B) med rent brennstoff. Vær oppmerksom, slik at det ikke skades.
- 8.2.4. Fest silen (B) i koppen igjen.
- 8.2.5. Fest koppen (A), pass på å montere pakningene på korrekt måte.

### ►► 8.3. FILTER DRIVSTOFFPUMPE:

Se program for forebyggende vedlikehold.

## 9. LAGRING OG TRANSPORT

**ADVARSEL:** Før enhver flytting må varmeapparatet avstenges (SE PUNKT. 7.3.), koble fra strømforsyningen ved å fjerne støpslet fra kontakten (FIG. 11), vent til varmeapparatet er fullstendig avkjølt og forsikre deg om at lokket til tanken er lukket godt igjen, slik at drivstoff ikke lekker. Når varmeapparatet flyttes på, hold det i vannrett posisjon.

**FOR Å BEVARE VARMEAPPARATET BEST MULIG, ANBEFALES DET Å UTFØRE FØLGENDE PROSEDYRE:**

- 9.1. Tøm tanken for drivstoff ved å skru ut pluggen som finnes i bunnen av tanken (FIG. 12). Kast brennstoff på en hensiktsmessig måte og i henhold til gjeldende bestemmelser.
- 9.2. Dersom man finner rester, hell rent brennstoff i tanken og tøm en gang til.
- 9.3. Steng tankens avløpsplugg.
- 9.4. Med den hensikt å skulle oppbevare varmeapparatet på best mulig måte, anbefales det å sette det på et varmt og tørt sted og beskyttet mot mulige eksterne skader.

## 10. TILKOBLING TERMOSTAT

På de modellene som har innlagt kobling til termostat, fjern lokket som er forbundet til varmeapparatet og koble til termostaten (valgfritt) (FIG. 13-14).

**ADVARSEL: FØR UTFØRELSE AV ENHVER FORM FOR VEDLIKEHOLD ELLER REPARASJON, KOBLE FRA STRØMLEDNINGEN TIL STRØMFORSYNINGEN, OG SJEKK AT VARMEAPPARATET ER KALDT.**

## 11. PROGRAM FOR FOREBYGGENDE VEDLIKEHOLD

DEL	VEDLIKEHOLDSHYPPIGHET	VEDLIKEHOLDSPROSEDYRE
Brennstofftank	Rengjøre en gang i året eller etter behov	Tøm og skyll tanken med rent brennstoff (SE PUNKT. 9.)
Filtrene	Rengjøre eller bytte ut en gang i året eller etter behov (sjekk om det er i fullgod tilstand)	Rengjøre filtrene (SE PUNKT. 8.)
Filter brennstoffpumpe	Rengjøre eller bytte ut en gang i året eller etter behov (sjekk om det er i fullgod tilstand)	Henvendelse til serviceverksted
Elektroder	Rengjøre etter behov	Henvendelse til serviceverksted
Vifte	Rengjøre etter behov	Henvendelse til serviceverksted
Forbrenningskammer	Rengjøre etter behov	Henvendelse til serviceverksted

no

## 12. FEILSØKING

PROBLEM	MULIG ÅRSAK	MULIG LØSNING
Varmeapparatet startes ikke eller slås ikke på	<ol style="list-style-type: none"> <li>På-bryteren i posisjon "0"</li> <li>Mangel på strømtilførsel</li> <li>Avbrutt strømløsing</li> <li>Blokkert eller defekt elektronikk</li> <li>Gal innstilling på termostat (der dette finnes)</li> <li>Mangel på drivstoff</li> <li>Fremmedlegeme i drivstoffkretsen</li> </ol>	<ol style="list-style-type: none"> <li>Sett på-bryteren i "FLAMME"-posisjon (A FIG. 5)</li> <li>2a. Sett strømløsing på riktig måte inn i stikkkontakten (FIG. 4)</li> <li>2b. Sjekk at spenningen er riktig i forhold til anlegget</li> <li>3. Henvendelse til serviceverksted</li> <li>4a. Tilbakestill varmeapparatet (SE PUNKT. 7.2.)</li> <li>4b. Henvendelse til serviceverksted</li> <li>5. Håndtere termostaten ved å stille den til en høyere temperatur i forhold til den i arbeidsmiljøet (FIG. 6)</li> <li>6. Fyll brennstoff og tilbakestill varmeapparatet</li> <li>7a. Tøm og fyll tanken med rent brennstoff (SE PUNKT. 9.)</li> <li>7b. Rengjøre filtrene (SE PUNKT. 8.)</li> <li>7c. Henvendelse til serviceverksted</li> </ol>
Varmeapparatet produserer røyk under bruk	<ol style="list-style-type: none"> <li>Nærvær av fremmedlegeme i brennstoffkretsen</li> <li>Tiltetting av innkommende luftinntak</li> <li>Luftforsyning ikke korrekt</li> </ol>	<ol style="list-style-type: none"> <li>1a. Tøm og fyll tanken med rent brennstoff (SE PUNKT. 9.)</li> <li>1b. Rengjøre filtrene (SE PUNKT. 8.)</li> <li>1c. Henvendelse til serviceverksted</li> <li>2. Fjerne alle mulige tiltetninger fra luftinntaket</li> <li>3. Juster luftspjeldet plassert under viften på baksiden av varmeapparatet (mot venstre lukkes spjeldet, mot høyre åpnes spjeldet)</li> </ol>
Varmeapparatet slås ikke av	<ol style="list-style-type: none"> <li>Defekt elektronikk</li> </ol>	<ol style="list-style-type: none"> <li>Henvendelse til serviceverksted</li> </ol>

**VIKTIGT: DENNA ANVÄNDARHANDBOK SKA LÄSAS IGENOM OCH FÖRSTÅS INNAN MONTERING, IDRIFTTAGNING ELLER UNDERHÅLL AV DENNA VÄRMARE UTFÖRS. EN FELAKTIG ANVÄNDNING AV VÄRMAREN KAN LEDA TILL ALLVARLIGA SKADOR ELLER DÖDSOLYCKOR. FÖRVARA DENNA HANDBOK FÖR FRAMTIDA BEHOV.**


## **1. BESKRIVNING**


Denna serie av värmare med luftburen värme är särskilt lämpliga för att värma medelstora eller stora lokaler eller utrymmen.

Värmare med indirekt uppvärmning (FIG. 1) använder sig av en värmeväxlare som gör att förbränningsgaserna kan separeras från den varma luft som skickas ut till omgivningen. På så sätt kan man tillföra ren varmluft till lokalen som ska värmas och leda rökgaserna utomhus.

Dessa värmare med luftburen värme har utarbetats enligt den senaste tekniken vad gäller säkerhet, funktion och varaktighet. Säkerhetsanordningarna gör att värmarens korrekta funktion alltid kan garanteras.

## **2. SÄKERHETSINFORMATION FÖRESKRIFTER**

 **VIKTIGT:** Denna apparat får inte användas av personer (även barn) med nedsatt fysisk eller mental förmåga, nedsatta sinnesintryck eller som är okunniga utan att de övervakas av en person som ansvarar för deras säkerhet. Barn ska hållas under uppsikt så att de inte leker med apparaten.

 **FARA:** Inandning av kolmonoxid kan leda till död.

De första tecknen på inandning av kolmonoxid liknar symtomen för influensa, med huvudvärk, yrsel och/eller illamående. Dessa symtom kan vara orsakade av en felaktig funktion på värmaren. **OM DU KÄNNER AV DESSA SYMTOM, GÅ GENAST UT I FRISKA LUFTEN** och lämna in värmaren till teknisk service på reparation.

### **►► 2.1. PÅFYLLNING:**

► 2.1.1. Den personal som utsetts till bränslepåfyllning ska vara kvalificerad och vara väl förtrogen både med tillverkarens instruktioner och med rådande lagstiftning om hur en säker bränslepåfyllning av värmare ska utföras.

► 2.1.2. Använd enbart den typ av bränsle som uttryckligen anges på värmarens märkskylt.

► 2.1.3. Innan påfyllningen utförs ska man stänga av värmaren och vänta tills den kallnat.

► 2.1.4. Bränslets lagringstankar ska förvaras i en annan lokal.

► 2.1.5. Samtliga bränsletankar ska hållas på säkerhetsavstånd från värmaren i enlighet med gällande lagstiftning.

► 2.1.6. Golvet i lokalen som bränslet förvaras i ska vara ogenomträngligt för att undvika att det kan droppa ned på eventuella underliggande fria lågor och ge upphov till brand.

► 2.1.7. Bränslet ska förvaras i enlighet med rådande lagstiftning.

### **►► 2.2. SÄKERHET:**

► 2.2.1. Värmaren får inte användas i lokaler där det förekommer bensin, thinner eller andra mycket lättantändliga ångor.

► 2.2.2. Under användning av värmaren ska samtliga lokala bestämmelser och alla lagar följas.

► 2.2.3. När värmaren används i närheten av presenning, tält eller andra liknande överdrag ska den vara på säkert avstånd från dessa. Vi rekommenderar dessutom att använda överdrag av brandsäkert material.

► 2.2.4. Använd enbart i väl ventilerade utrymmen. Gör i ordning en öppning i enlighet med rådande lagstiftning så att frisk utomhusluft kan ventileras lokalen.

► 2.2.5. Strömmen som värmaren matas med ska ha samma spänning och frekvens som det som anges på dess märkskylt.

► 2.2.6. Vid användning av förlängningsladd ska den vara ansluten till jord.

► 2.2.7. De rekommenderade säkerhetsavstånden mellan värmaren och eventuella brandfarliga ämnen är: På framsidan = 2,5 m. På sidorna, ovanför och på baksidan = 1,5 m.

► 2.2.8. När värmaren är varm, eller i drift, ska den ställas på stadig och plan yta för att förhindra brandrisk.

► 2.2.9. Håll djur på säkert avstånd från värmaren.

► 2.2.10. Dra ut värmarens kontakt från eluttaget när den inte används.

► 2.2.11. När värmaren styrs av en termostat kan den starta i vilken stund som helt.

- ▶ **2.2.12.** Använd inte värmaren i rum där man ofta vistas eller i sovrum.
- ▶ **2.2.13.** Täck inte över värmarens luftintag eller luftutlopp (på framsidan).
- ▶ **2.2.14.** När värmaren är varm, ansluten till elnätet eller i drift får man inte flytta, göra åverkan, göra bränslepåfyllning eller utföra någon form av underhåll på den.
- ▶ **2.2.15.** Undvik att kanalisera den ingående och/eller utgående luften med undantag för om man använder en speciellt avsedd originalsats (om förutsedd).
- ▶ **2.2.16.** Värmarens varma delar ska hållas på lämpligt avstånd från brandfarligt eller termolabilt material (inklusive nätkabeln).
- ▶ **2.2.17.** Om nätkabeln är skadad ska den bytas ut av den tekniska serviceavdelningen för att undvika onödiga risker.

### 3. UPPACKNING

**VIKTIGT: Barn får inte leka med emballagematerialet. Håll plastpåsen utom räckhåll för barn på grund av kvävningrisk!**

- ▶ **3.1.** Ta bort allt emballagematerial som använts för att förpacka och transportera värmaren. Återvinn materialet enligt rådande lagstiftning.
- ▶ **3.2.** Om värmaren står på en pall ska man försiktigt ta ned den därifrån.
- ▶ **3.3.** Kontrollera om eventuella skador uppstått under transporten. Vid upptäckten av skador på värmaren ska man genast kontakta återförsäljaren som man köpt den av.

### 4. MONTERING

Dessa värmare är försedda med hjul, handtag och rökrör beroende på modellen (FIG. 2). Dessa komponenter, samt tillhörande fästbultar, finns inuti värmarens emballage.

### 5. BRÄNSLE

**VIKTIGT: Värmaren går enbart på DIESEL eller FOTOGEN.**

Enbart diesel eller fotogen får användas för att undvika risk för brand eller explosion. Använd inte bensin, brännolja, thinner, alkohol eller andra bränslen som är mycket lättantändliga.

Vid mycket låg temperatur kan k-sprit användas. Det rekommenderas att använda vinterdiesel vid temperaturer under 5°C.

### 6. FUNKTIONSPRINCIPER

**A.** Förbränningskammare, **B.** Fläkt, **C.** Motor, **D.** Pump, **E.** Bränsletank, **F.** Rökrör.

Pumpen suger upp bränsle från tanken och sätter det i drifttryck. Bränslet förs fram till munstycket

som sprutar in det i förbränningskammaren. Förbränningen sker via en blandning av luft/bränsle och förbränningsprodukterna trycks ut med hjälp av luftflödet som framställs av fläkten. På modeller med direkt uppvärmning hamnar förbränningsprodukterna i lokalen som värms upp, medan de på modeller med indirekt uppvärmning kan ledas utomhus, bort från lokalen som värms upp, via kanalisering. En rad sensorer kopplade till ett elektroniskt styrkort kontrollerar avbrottsfritt värmarens korrekta funktion och avbryter cykeln vid upptäckten av fel.

## 7. FUNKTION

**VIKTIGT: Läs noga avsnittet "SÄKERHETSINFORMATION" innan värmaren sätts på.**

### ▶▶ 7.1. SÄTTA PÅ VÄRMAREN:

- ▶ **7.1.1.** Följ alla säkerhetsanvisningar.
- ▶ **7.1.2.** Kontrollera förekomsten av bränsle i tanken.
- ▶ **7.1.3.** Stäng tanklocket (FIG. 3).
- ▶ **7.1.4.** Anslutnätkontakten till strömförsörjningen (FIG. 4) (SE SPÄNNING I "TABELL ÖVER TEKNISKA DATA").
- ▶ **7.1.5.** Vrid strömbrytaren till "LÅGA" (A FIG. 5). Värmaren slås på inom några sekunder. Om värmaren inte startar, rådfråga avsnittet "12. FELSÖKNING".
- ▶ **7.1.6.** För att erhålla maximal effekt placera effektens strömbrytare i läget "DUBBEL LÅGA" (B FIG. 5).
- ▶ **7.1.7.** Värmaren kan användas i driftläget för ventilation. För att aktivera denna funktion ska du vrida strömbrytaren till läget "FLÄKT" (A FIG. 5).
- ▶ **7.1.8.** För modellerna med rumstermostat ska du kontrollera den inställda temperaturen (FIG. 6).

**OBS: OM VÄRMAREN STÄNGS AV PÅ GRUND AV ATT BRÄNSLET ÄR SLUT SKA MAN FYLLA PÅ TANKEN OCH ÅTERSTÄLLA VÄRMAREN (SE PARAG.E 7.2.).**

**VIKTIGT: På modeller med indirekt uppvärmning kan förbränningsprodukterna ledas utomhus. GENOMFÖR KANALISERINGEN I ENLIGHET MED RÅDANDE LAGSTIFTNING OCH FÖLJ ANVISNINGARNA I AVSETT AVSNITT I DENNA HANDBOK.**

### ▶▶ 7.2. ÅTERSTÄLLA VÄRMAREN:

Om ett fel inträffar på värmarens normala funktion blockeras den. När återställningsknappen är tänd med fast rött ljus (FIG. 7) betyder det att

det är nödvändigt att återställa värmaren. För att återställa värmaren trycker man in återställningsknappen helt (FIG. 8). Innan värmaren sätts i drift igen ska man identifiera felet som orsakade blockeringen och åtgärda det (till exempel igensatt luftintag och/eller luftutlopp, fläkten har stannat o.s.v.). Om man inte klarar av att åtgärda felet som orsakade blockeringen ska man kontakta teknisk kundservice.

### ►► 7.3. STÄNGA AV VÄRMAREN:

Sätt brytaren "I/O" på "0" (A FIG. 5). Lågan släcks och fläkten fortsätter köra tills förbränningskammaren är fullständigt kall. Ta inte ut kontakten förrän kylcykeln har fullbordats.

## 8. RENGÖRING AV FILTER

**BEROENDE PÅ HUR MYCKET BRÄNSLE SOM ANVÄNDS KAN DET BLI NÖDVÄNDIGT ATT RENGÖRA FILTREN.**

### ►► 8.1. PÅFYLLNINGSFILTER (FIG. 9):

- 8.1.1. Ta av locket (A) på bränsletanken.
- 8.1.2. Ta ut filtret (B) från bränsletanken.
- 8.1.3. Rengör filtret (B) med hjälp av rent bränsle. Var varsam så att filtret inte skadas.
- 8.1.4. Montera tillbaka filtret (B) i bränsletanken.
- 8.1.5. Stäng locket (A).

### ►► 8.2. LUFTINTAGSFILTER, (FIG. 10) BEROENDE PÅ MODELL:

- 8.2.1. Ta bort koppen (A).
- 8.2.2. Ta ut filtret (B) från koppen och var försiktig så att packningarna inte förstörs.
- 8.2.3. Rengör filtret (B) med hjälp av rent bränsle. Var varsam så att filtret inte skadas.
- 8.2.4. Montera tillbaka filtret (B) i koppen.
- 8.2.5. Montera tillbaka koppen (A) och se noga till så att packningarna monterats korrekt.

### ►► 8.3. BRÄNSLEPUMPSFILTER:

Se det förebyggande underhållsprogrammet.

## 9. FÖRVARING OCH TRANSPORT

**VIKTIGT:** Innan någon form av flytt påbörjas ska man stänga av värmaren (SE PARAG. 7.3.), frånskilja strömförsörjningen genom att dra ut kontakten från eluttaget (FIG. 11), vänta tills värmaren är fullständigt kall och försäkra sig om att tanklocket är ordentligt stängt för att undvika att bränsle läcker ut. När man flyttar på värmaren ska den hållas i plant läge.

### VI REKOMMENDERAR ATT FÖLJA NEDANSTÅENDE FÖRFARANDE FÖR EN KORREKT FÖRVARING AV VÄRMAREN:

- 9.1. Töm bränsletanken genom att ta bort avtappningspluggen som sitter i botten av tanken (FIG. 12). Bortskaffa bränslet på lämpligt sätt och i enlighet med rådande lagstiftning.
- 9.2. Om det finns restämnen kvar i botten av tanken ska man hälla rent bränsle i tanken och tömma ut igen.
- 9.3. Stäng avtappningspluggen och tanklocket.
- 9.4. För en korrekt förvaring av värmaren rekommenderas det att ställa den på torr plats där den skyddas från eventuell utvändigt skada.

## 10. ANSLUTNING AV RUMSTERMOSTAT

På modeller som är förberedda för anslutning till termostat ska man ta bort locket på värmarens anslutning och ansluta rumstermostaten (tillval) (FIG. 13-14).



**VIKTIGT: INNAN NÅGON FORM AV UNDERHÅLL ELLER REPARATION UTFÖRS SKA MAN TA UT KONTAKTEN FRÅN ELNÄTET OCH FÖRSÄKRA SIG OM ATT VÄRMAREN ÄR KALL.**

## 11. FÖREBYGGANDE UNDERHÅLLSPROGRAM

KOMPONENT	UNDERHÅLLSINTERVALL	UNDERHÅLLSFÖRFARANDE
Bränsletank	Rengör en gång om året eller vid behov	Töm tanken och skölj den med rent bränsle (SE PARAG. 9.)
Filter	Rengör eller byt ut en gång om året eller vid behov (kontrollera skicket)	Rengör filtret (SE PARAG. 8.)
Filter på bränslepump	Rengör eller byt ut en gång om året eller vid behov (kontrollera skicket)	Vänd dig till teknisk service
Elektroder	Rengör vid behov	Vänd dig till teknisk service
Fläkt	Rengör vid behov	Vänd dig till teknisk service
Förbränningskammare	Rengör vid behov	Vänd dig till teknisk service

SV

## 12. FELSÖKNING

PROBLEM	MÖJLIG ORSAK	MÖJLIG LÖSNING
Värmaren sätts inte på eller stängs av	<ol style="list-style-type: none"> <li>1. Strömbrytaren är i läge "0"</li> <li>2. Ström saknas</li> <li>3. Elsladden är avbruten</li> <li>4. Blockerad eller trasig elektronik</li> <li>5. Fel inställning på rumstermostaten (i förekommande fall)</li> <li>6. Bränsle saknas</li> <li>7. Det finns främmande ämnen i bränslekretsen</li> </ol>	<ol style="list-style-type: none"> <li>1. Vrid strömbrytaren till "LÅGA" (A FIG. 5)</li> <li>2a. Sätt in elsladden korrekt i eluttaget (FIG. 4)</li> <li>2b. Kontrollera att anläggningen har korrekt spänning</li> <li>3. Vänd dig till teknisk service</li> <li>4a. Återställ värmaren (SE PARAG. 7.2.)</li> <li>4b. Vänd dig till teknisk service</li> <li>5. Justera rumstermostaten genom att ställa in den på en högre temperatur än den för arbetsomgivningen (FIG. 6)</li> <li>6. Fyll på bränsle och nollställ eventuellt värmaren</li> <li>7a. Töm tanken och skölj den med rent bränsle (SE PARAG. 9.)</li> <li>7b. Rengör filtren (SE PARAG. 8.)</li> <li>7c. Vänd dig till teknisk service</li> </ol>
Värmaren avger rök när den är i drift	<ol style="list-style-type: none"> <li>1. Det finns främmande ämnen i bränslekretsen</li> <li>2. Luftintaget är igensatt</li> <li>3. Felaktig lufttillförsel</li> </ol>	<ol style="list-style-type: none"> <li>1a. Töm tanken och skölj den med rent bränsle (SE PARAG. 9.)</li> <li>1b. Rengör filtren (SE PARAG. 8.)</li> <li>1c. Vänd dig till teknisk service</li> <li>2. Åtgärda eventuella igensättningar i luftintaget</li> <li>3. Justera luftspjället som är placerat under fläkten i den bakre delen av värmaren (åt vänster stängs spjället, åt höger öppnas spjället)</li> </ol>
Värmaren stängs inte av	<ol style="list-style-type: none"> <li>1. Elektroniken är söndrig</li> </ol>	<ol style="list-style-type: none"> <li>1. Vänd dig till teknisk service</li> </ol>

**UWAGA: PRZED PRZYSTĄPIENIEM DO MONTAŻU, URUCHOMIENIEM LUB PRZEPROWADZENIEM ZABIEGÓW KONSERWACYJNYCH NAGRZEWNICY NALEŻY ZAPOZNAĆ SIĘ I ZROZUMIEĆ NALEŻYCIENIE NINIEJSZĄ INSTRUKCJĘ. NIEWŁAŚCIWA EKSPLOATACJA NAGRZEWNICY MOŻE SPOWODOWAĆ POWAŻNE LUB ŚMIERTELNE SKUTKI. NINIEJSZĄ INSTRUKCJĘ NALEŻY ZACHOWAĆ I PRZEKAZAĆ KAŻDEMU, DALSZEMU UŻYTKOWNIKOWI, ABY INFORMACJE TE BYŁY ZAWSZE DOSTĘPNE.**

## 1. OPIS

Niniejsza seria nagrzewnic powietrza szczególnie wskazana jest dla potrzeb ogrzewania pomieszczeń lub przestrzeni o średnich i dużych wymiarach.

Nagrzewnice z zamkniętą komorą spalania (RYS. 1), dzięki wymiennikowi ciepła pozwalają oddzielić spaliny od gorącego powietrza oddawanego do środowiska. W ten sposób możliwe jest wprowadzanie strumienia ciepłego, czystego powietrza w miejsce przeznaczone do ogrzewania i odprowadzenie spalin na zewnątrz.

Nagrzewnice powietrza zostały zaprojektowane zgodnie z aktualnymi normami bezpieczeństwa, z uwzględnieniem funkcjonalności oraz dużej trwałości. Wbudowane zabezpieczenia gwarantują poprawne oraz bezpieczne działanie nagrzewnicy.

## 2. INFORMACJE DOTYCZĄCE BEZPIECZEŃSTWA

### OSTRZEŻENIE



**UWAGA:** Niniejszy sprzęt nie jest przeznaczony do eksploatacji przez osoby (w tym dzieci) o ograniczonych możliwościach fizycznych, sensorycznych i psychicznych oraz, osoby niedoświadczone, jeśli nie są one nadzorowane przez osobę ponoszącą odpowiedzialność za ich bezpieczeństwo. Należy dopilnować aby dzieci nie bawiły się niniejszym sprzętem.



**ZAGROŻENIE:** Zatrucie tlenkiem węgla może okazać się śmiertelne.

Pierwsze objawy zatrucia tlenkiem węgla przypominają objawy grypy, z silnym bólem głowy, zawrotami głowy i/lub wymiotami. Objawy te może spowodować wadliwe działanie nagrzewnicy. **W SYTUACJI WYSTĄPIENIA TAKICH OBJAWÓW NALEŻY NATYCHMIAST OPUŚCIĆ POMIESZCZENIE I WYJŚĆ NA ŚWIEŻE POWIETRZE**, a nagrzewnicę oddać do naprawy w autoryzowanym serwisie.

#### ▶▶ 2.1. TANKOWANIE PALIWA:

- ▶ 2.1.1. Osoby wykonujące czynność tankowania paliwa powinny posiadać odpowiednie kwalifikacje i umiejętności oraz znać przepisy obowiązujące podczas bezpiecznego tankowania nagrzewnic.
- ▶ 2.1.2. Należy stosować wyłącznie paliwa wyszczególnione na tabliczce znamionowej umieszczonej na nagrzewnicy.

- ▶ 2.1.3. Przed przystąpieniem do tankowania należy wyłączyć nagrzewnicę i odczekać aż ostygnie.
- ▶ 2.1.4. Nieużywane zbiorniki z paliwem powinny znajdować się w oddzielnym odpowiednio zabezpieczonym pomieszczeniu.
- ▶ 2.1.5. Zewnętrzne zbiorniki z paliwem powinny znajdować się w bezpiecznej odległości od nagrzewnicy.
- ▶ 2.1.6. Paliwo powinno być przechowywane w pomieszczeniach, w których posadzka uniemożliwia wsiąkanie i przenikanie przez nią paliwa.
- ▶ 2.1.7. Przechowywanie paliwa powinno odbywać się zgodnie z obowiązującymi w tej materii przepisami.
- ▶▶ **2.2. BEZPIECZEŃSTWO:**
- ▶ 2.2.1. Nie należy nigdy stosować nagrzewnic w pomieszczeniach w których znajduje się benzyna, rozpuszczalniki do farb lub lakierów oraz inne łatwopalne opary.
- ▶ 2.2.2. Podczas eksploatacji nagrzewnicy należy przestrzegać wszystkich norm oraz obowiązujących przepisów.
- ▶ 2.2.3. Nagrzewnice wykorzystywane w pobliżu materiałów łatwopalnych powinny być ustawione w bezpiecznej od nich odległości. W takich przypadkach zaleca się stosowanie pokryć wykonanych z materiałów ognioodpornych.
- ▶ 2.2.4. Eksploatacja nagrzewnicy powinna odbywać się jedynie w pomieszczeniach z odpowiednim przepływem powietrza i należyce wentylowanych. Należy przygotować otwór wentylacyjny zgodnie z obowiązującymi normami w celu wprowadzenia do pomieszczenia świeżego powietrza.
- ▶ 2.2.5. Zasilanie nagrzewnicy powinno odbywać się jedynie prądem o napięciu i częstotliwości podanej na tabliczce znamionowej.
- ▶ 2.2.6. Należy stosować przedłużacze odpowiednio podłączone do uziemienia.
- ▶ 2.2.7. Minimalne bezpieczne odległości zalecane między nagrzewnicą, a materiałami łatwopalnymi są następujące: wylot powietrza = 2,5 m; boki, góra oraz wlot powietrza = 1,5 m.
- ▶ 2.2.8. Włączoną lub gorącą nagrzewnicę należy ustawić na stabilnym i wypoziomowanym podłożu tak by uniknąć zagrożenia pożarowego.
- ▶ 2.2.9. Zwierzęta również należy trzymać z dala od nagrzewnicy.

- ▶ 2.2.10. Gdy nagrzewnica nie jest używana należy odłączyć ją od zasilania.
- ▶ 2.2.11. Termostatem pomieszczeniowym może włączać się w każdej chwili.
- ▶ 2.2.12. Nie należy nigdy stosować nagrzewnicy w pomieszczeniach zamieszkałych ani w sypialniach.
- ▶ 2.2.13. Nie należy nigdy przykrywać wlotu powietrza, ani wylotu powietrza (z przodu nagrzewnicy).
- ▶ 2.2.14. Gdy nagrzewnica jest włączona lub gorąca nie należy jej przenosić, manipulować przy niej, uzupełniać paliwa ani też przeprowadzać żadnego zabiegu konserwacyjnego.
- ▶ 2.2.15. Kanalizowanie gorącego powietrza jest możliwe tylko z wykorzystaniem oryginalnego, dedykowanego do danej nagrzewnicy zestawu.
- ▶ 2.2.16. Należy zachować bezpieczną odległość gorących części nagrzewnicy od materiałów łatwopalnych, niestabilnych termicznie (łącznie z przewodem zasilającym).
- ▶ 2.2.17. Jeśli przewód zasilający jest uszkodzony powinien zostać wymieniony przez autoryzowany serwis.

### 3. ROZPAKOWANIE

**OSTRZEŻENIE:** Opakowanie nie jest zabawką dla dzieci. Plastikowy worek należy przechowywać w miejscu niedostępnym dla dzieci; ze względu na zagrożenie uduszenia się!

- ▶ 3.1. Należy usunąć wszelkie materiały oraz opakowania użyte do zabezpieczenia i wysyłki nagrzewnicy. Należy poddać je utylizacji zgodnie z obowiązującymi normami.
- ▶ 3.2. W przypadku gdy nagrzewnica znajduje się na palecie, należy ją delikatnie opuszczać.
- ▶ 3.3. Należy sprawdzić czy podczas transportu nie powstała uszkodzona. W sytuacji gdy nagrzewnica jest uszkodzona należy niezwłocznie powiadomić o tym fakcie dileru u którego dokonano zakupu.

### 4. MONTAŻ

W zależności od wersji, nagrzewnice wyposażone są w kółka, uchwyty i komin (RYS. 2). Komponenty te, wraz ze śrubami, nakrętkami oraz podkładkami do ich montażu znajdują się w opakowaniu nagrzewnicy.

### 5. PALIWO

**OSTRZEŻENIE:** Nagrzewnica działa jedynie na OLEJ NAPĘDOWY lub LEKKI OLEJ OPAŁOWY.

Należy stosować jedynie olej napędowy lub lekki olej opałowy, tak by uniknąć zagrożenia pożarowego lub wybuchu. Nigdy nie należy nigdy benzyny, nafty, rozpuszczalników do farb lub lakierów, alkoholu lub innych paliw łatwopalnych.

Przy bardzo niskich temperaturach należy stosować nietoksyczne dodatki zapobiegające zamrożeniu paliwa.

Zaleca się stosowanie zimowego oleju napędowego przy temperaturze poniżej 5°C.

## 6. ZASADA DZIAŁANIA

A. Komora spalania wraz z palnikiem, B. Śmigło wentylatora, C. Silnik, D. Pompa, E. Zbiornik, F. Komin.

Pompa zasysa paliwo ze zbiornika, doprowadzając je do ciśnienia eksploatacyjnego. Paliwo doprowadzane jest do dyszy, która rozpryskuje je w komorze spalania. Powstała mieszanka paliwowo-powietrzna zostaje spalona, a jej produkty zostają wypchnięte na zewnątrz za pomocą strumienia powietrza powstałego na skutek obrotowego ruchu śmigła wentylatora. W modelach z otwartą komorą spalania produkty spalania wyprowadzane zostają wraz z podgrzanym powietrzem do ogrzewanego pomieszczenia, natomiast w modelach pośrednich produkty spalania zostają być odprowadzone na zewnątrz ogrzewanego pomieszczenia za pomocą instalacji kominowej. Zainstalowane zabezpieczenia na bieżąco kontrolują pracę nagrzewnicy. W razie wykrycia nieprawidłowości w działaniu nagrzewnicy jest ona automatycznie wyłączana przez sterownik.

## 7. DZIAŁANIE

**OSTRZEŻENIE:** Przed włączeniem nagrzewnicy należy uważnie zapoznać się z "INFORMACJAMI DOTYCZĄCYMI BEZPIECZEŃSTWA".

- ▶▶ 7.1. WŁĄCZENIE NAGRZEWNICY:
  - ▶ 7.1.1. Śledzić wszystkie instrukcje dotyczące bezpieczeństwa.
  - ▶ 7.1.2. Sprawdzić obecność paliwa w zbiorniku.
  - ▶ 7.1.3. Zamknąć zatyczkę zbiornika (RYS. 3).
  - ▶ 7.1.4. Przyłączyć wtyczkę zasilania do sieci elektrycznej (RYS. 4) (PATRZ NAPIĘCIE W „TABELI DANYCH TECHNICZNYCH”).
  - ▶ 7.1.5. Wyłącznik włączania umieścić w położeniu „PŁOMIEŃ” (A RYS. 5). Nagrzewnica powinna włączyć się w ciągu kilku sekund. Jeśli nagrzewnica się nie uruchamia, sprawdzić informacje w paragrafie „12. OKREŚLANIE PROBLEMÓW”.
  - ▶ 7.1.6. Aby uzyskać maksymalną moc, ustawić wyłącznik mocy w pozycji „PODWÓJ PŁOMIEŃ” (B RYS. 5).
  - ▶ 7.1.7. Nagrzewnice można używać w trybie wentylacji. Aby uaktywnić tę funkcję, wyłącznik włączania umieścić w pozycji „WENTYLATOR” (NA RYS. 5).
  - ▶ 7.1.8. W przypadku modeli ze sterownikiem pokojowym sprawdzić ustawioną temperaturę (RYS. 6).

**UWAGA:** W PRZYPADKU WYŁĄCZENIA SIĘ NAGRZEWNICY POWODU BRAKU PALIWA NALEŻY UZUPEŁNIĆ JEGO POZIOM W ZBIORNIKU I ZRESETOWAĆ NAGRZEWNICĘ (PATRZ PUNKT 7.2.).

**UWAGA:** W modelach z zamkniętą komorą spalania produkty spalania mogą zostać odprowadzone kominem na zewnątrz. **NALEŻY WYKONAĆ KOMIN ZGODNIE Z OBOWIĄZUJĄCYMI NORMAMI ORAZ POSTĘPOWAĆ ZGODNIE ZE WSKAZANIAMI ZAWARTYMI W NINIEJSZEJ INSTRUKCJI.**

### ▶▶ 7.2. RESET NAGRZEWNICY:

W przypadku wystąpienia nieprawidłowości w działaniu nagrzewnicy następuje jej automatyczne wyłączenie. Jeśli przycisk reset świeci się ciągle czerwonym światłem (RYS. 7), oznacza to że nagrzewnica wymaga zresetowania. Aby zresetować nagrzewnicę należy dwucisnąć (do oporu i chwilę przytrzymać) przycisk reset (RYS. 8). Przed ponownym włączeniem nagrzewnicy należy określić i wyeliminować przyczynę która spowodowała jej zatrzymanie (na przykład zatkanie się wlotu powietrza /lub wylotu powietrza, zatrzymanie wentylatora, itp.). W przypadku niemożności usunięcia problemu który spowodował wyłączenie się nagrzewnicy należy zwrócić się o pomoc do autoryzowanego serwisu.

### ▶▶ 7.3. WYŁĄCZENIE NAGRZEWNICY:

Ustawić przełącznik "I/O" w pozycji "0" (A RYS. 5). Płomień zgaśnie, a wentylator będzie działał aż do całkowitego schłodzenia komory spalania. **Nie odłączać wtyczki przewodu zasilającego aż do zakończenia cyklu chłodzenia.**

## 8. CZYSZCZENIE FILTRÓW

**ZALEŻNIE OD JAKOŚCI PALIWA KTÓRE JEST STOSOWANE MOŻE BYĆ KONIECZNE CZYSZCZENIE FILTRÓW:**

### ▶▶ 8.1. FILTR WLEWU PALIWA (RYS. 9):

- ▶ 8.1.1. Odkręcić korek (A) zbiornika.
- ▶ 8.1.2. Wyjąć filtr (B) ze zbiornika.
- ▶ 8.1.3. Wyczyścić filtr (B) czystym paliwem, uważając by go nie uszkodzić.
- ▶ 8.1.4. Zamontować filtr (B) w zbiorniku.
- ▶ 8.1.5. Zakręcić korek (A).

### ▶▶ 8.2. FILTR SSANIA, (RYS. 10) ZALEŻNIE OD MODELU:

- ▶ 8.2.1. Odkręcić kielich (A).
- ▶ 8.2.2. Wyjąć filtr (B) z kielicha, uważając by nie uszkodzić uszczelek.
- ▶ 8.2.3. Wyczyścić filtr (B) czystym paliwem, uważając by go nie uszkodzić.
- ▶ 8.2.4. Zamontować filtr (B) w kielichu.
- ▶ 8.2.5. Ponownie zamontować kielich (A) zachowując właściwe ustawienie uszczelek.

### ▶▶ 8.3. FILTR POMPY PALIWA:

Patrz program konserwacji okresowej.

## 9. KONSERWACJA I TRANSPORT

**OSTRZEŻENIE:** Przed każdym przesunięciem nagrzewnicy należy ją wyłączyć (PATRZ PUNKT. 7.3.), zaczekać do zakończenia cyklu wychłodzenia oraz do całkowitego wychłodzenia nagrzewnicy. Następnie należy odłączyć zasilanie elektryczne (RYS. 11) oraz upewnić się czy korek zbiornika paliwa jest dobrze dokręcony aby uniknąć wyciekania paliwa. **Podczas przemieszczania nagrzewnicy należy unikać przechylania jej.**

**W CELU ZAPEWNIENIA OPTYMALNYCH WARUNKÓW PRZECHOWYWANIA NAGRZEWNICY ZALECA SIĘ POSTĘPOWANIE WEDŁUG NASTĘPUJĄCEJ PROCEDURY:**

- ▶ 9.1. Opróżnić zbiornik paliwa wykręcając korek umieszczony na dnie zbiornika (RYS. 12). Paliwo zlać do zbiornika spełniającego odpowiednie normy bezpieczeństwa.
- ▶ 9.2. W przypadku zauważenia w zbiorniku osadów należy wlać czyste paliwo i ponownie opróżnić zbiornik.
- ▶ 9.3. Wkręcić korek spustowy.
- ▶ 9.4. W celu zachowania optymalnych warunków przechowywania nagrzewnicy należy ją przechowywać w suchym miejscu a nagrzewnicę zabezpieczyć przed ewentualnymi uszkodzeniami zewnętrznymi.

## 10. PODŁĄCZENIE TERMOSTATU POMIESZCZENIOWEGO

W modelach przygotowanych do podłączenia termostatu, należy odłączyć zaślepkę gniazda termostatu, a następnie podłączyć termostat pomieszczeniowy (termostat ten jest wyposażeniem opcjonalnym) (RYS. 13-14).



**OSTRZEŻENIE: PRZED WYKONANIEM JAKIEJKOLWIEK CZYNNOŚCI KONSERWACYJNEJ LUB NAPRAWY NALEŻY WYŁĄCZYĆ NAGRZEWNICĘ, ZACZEKAĆ DO ZAKOŃCZENIA CYKLU CHŁODZENIA ORAZ DO CAŁKOWITEGO JEJ WYCHŁODZENIA. NASTĘPNIE NALEŻY ODŁĄCZYĆ WTYCZKĘ PRZEWODU ZASILAJĄCEGO.**

## 11. PROGRAM KONSERWACJI ZAPOBIEGAWCZEJ

NAZWA KOMPONENTU	CZĘSTOTLIWOŚĆ KONSERWACJI	PROCEDURA KONSERWACJI
Zbiornik paliwa	Wyczyścić raz na rok lub w razie potrzeby	Opróżnić i wypłukać zbiornik czystym paliwem (PATRZ PUNKT. 9.)
Filtry	Wyczyścić lub wymienić raz na rok lub w razie potrzeby (sprawdzić czy nie są uszkodzone)	Wyczyścić filtry (PATRZ PUNKT. 8.)
Filtr pompy paliwa	Wyczyścić lub wymienić raz na rok lub w razie potrzeby (sprawdzić czy nie są uszkodzone)	Zwrócić się do autoryzowanego serwisu
Elektrody	Wyczyścić w razie potrzeby	Zwrócić się do autoryzowanego serwisu
Śmigło wentylatora	Wyczyścić w razie potrzeby	Zwrócić się do autoryzowanego serwisu
Komora spalania	Wyczyścić w razie potrzeby	Zwrócić się do autoryzowanego serwisu

## 12. ROZWIĄZYWANIE PROBLEMÓW

PROBLEM	MOŻLIWA PRZYCZYNA	ROZWIĄZANIE
Nagrzewnica nie uruchamia się lub nie grzeje	<ol style="list-style-type: none"> <li>Przełącznik w pozycji "0"</li> <li>Brak zasilania</li> <li>Przerwany przewód zasilający</li> <li>Sterownik wymaga zresetowania lub jest uszkodzony</li> <li>Na termostacie pomieszczeniowym ustawiono temperaturę niższą niż temperatura otoczenia (gdy nagrzewnica jest sterowana przez termostat pomieszczeniowy)</li> <li>Brak paliwa</li> <li>Zanieczyszczone paliwo (np. osady, woda)</li> </ol>	<ol style="list-style-type: none"> <li>Wyłącznik włączania umieścić w położeniu „PŁOMIEN” (A RYS. 5)</li> <li>Poprawnie podłączyć wtyczkę zasilającą do gniazda sieciowego (RYS. 4)</li> <li>Sprawdzić czy w instalacji jest prawidłowe napięcie</li> <li>Zwrócić się do autoryzowanego serwisu</li> <li>Zresetować nagrzewnicę (PATRZ PUNKT. 7.2.)</li> <li>Zwrócić się do autoryzowanego serwisu</li> <li>Na termostacie pomieszczeniowym ustawić temperaturę wyższą niż temperatura otoczenia (RYS. 6)</li> <li>Uzupełnić paliwo i w razie potrzeby zresetować nagrzewnicę</li> <li>Opróżnić i wypłukać zbiornik czystym paliwem (PATRZ PUNKT. 9.)</li> <li>Wyczyścić filtry (PATRZ PUNKT. 8.)</li> <li>Zwrócić się do autoryzowanego serwisu</li> </ol>
Nagrzewnica dymi podczas pracy	<ol style="list-style-type: none"> <li>Zanieczyszczone paliwo (np. osady, woda)</li> <li>Zablokowany wlot powietrza</li> <li>Niewłaściwy dopływ powietrza</li> </ol>	<ol style="list-style-type: none"> <li>Opróżnić i wypłukać zbiornik czystym paliwem (PATRZ PUNKT. 9.)</li> <li>Wyczyścić filtry (PATRZ PUNKT. 8.)</li> <li>Zwrócić się do autoryzowanego serwisu</li> <li>Usunąć wszelkie przedmioty blokujące wlot powietrza</li> <li>Wyregulować zasuwę powietrza znajdującą się pod wentylatorem z tyłu nagrzewnicy (po lewej stronie zasuwę się zamyka, po prawej się otwiera)</li> </ol>
Nagrzewnica nie wyłącza się	<ol style="list-style-type: none"> <li>Uszkodzony sterownik</li> </ol>	<ol style="list-style-type: none"> <li>Zwrócić się do autoryzowanego serwisu</li> </ol>



**ВАЖНО: ПРОЧЕСТЬ И УСВОИТЬ НАСТОЯЩЕЕ РУКОВОДСТВО ПО ЭКСПЛУАТАЦИИ ПЕРЕД ВЫПОЛНЕНИЕМ СБОРКИ, ЗАПУСКОМ В ЭКСПЛУАТАЦИЮ ИЛИ ТЕХОБСЛУЖИВАНИЕМ ОБОГРЕВАТЕЛЯ. НЕПРАВИЛЬНАЯ ЭКСПЛУАТАЦИЯ ОБОГРЕВАТЕЛЯ МОЖЕТ СТАТЬ ПРИЧИНОЙ СЕРЬЁЗНЫХ ТРАВМ ИЛИ СМЕРТЕЛЬНЫХ СЛУЧАЕВ. ХРАНИТЬ НАСТОЯЩЕЕ РУКОВОДСТВО ДЛЯ ДАЛЬНЕЙШЕЙ КОНСУЛЬТАЦИИ.**

## **1. ОПИСАНИЕ**

Данная серия обогревателей предназначена для обогрева помещений средней или большой площади.

Обогреватели непрямого нагрева (РИС. 1), благодаря теплообменнику, позволяют отделять газы продукты сгорания от горячего воздуха, поступающего в помещение. Таким образом, в обогреваемое помещение поступает поток чистого горячего воздуха, а продукты сгорания выводятся наружу.

Данные обогреватели разработаны в соответствии с самыми современными критериями безопасности, функциональности и надёжности. Защитные устройства гарантируют правильную работу обогревателя.

## **2. ИНФОРМАЦИЯ О**

### **БЕЗОПАСНОСТИ**

#### **ПРЕДУПРЕЖДЕНИЯ**



**ВАЖНО:** Не допускается эксплуатация обогревателя лицами (включая детей) с ограниченными физическими, сенсорными, умственными способностями. Не допускается эксплуатация обогревателя лицами, не обладающими достаточным опытом и знаниями, если они действуют без присмотра лица, отвечающего за их безопасность. Не оставлять детей без присмотра и не разрешать им играть с оборудованием.



**ОПАСНО:** Отравление угарным газом может быть смертельным.

Первые симптомы удушья отравления от угарным газом напоминают грипп: головные боли, головокружение и/или тошнота. Эти симптомы могут быть вызваны сбоем в работе обогревателя. В СЛУЧАЕ ПОЯВЛЕНИЯ ДАННЫХ СИМПТОМОВ НЕМЕДЛЕННО ВЫЙТИ НА ОТКРЫТЫЙ ВОЗДУХ, и также следует обратиться в технический сервисный центр для проведения ремонта обогревателя.

#### **▶▶ 2.1. ЗАПРАВКА:**

▶ 2.1.1. Персонал, ответственный за заправку, должен быть квалифицированным, хорошо знать инструкции изготовителя и действующие правила по безопасной заправке обогревателей.

▶ 2.1.2. Использовать исключительно вид топлива, который указан на табличке обогревателя.

▶ 2.1.3. Перед выполнением заправки выключить обогреватель и дождаться его охлаждения.

▶ 2.1.4. Баки для хранения топлива должны находиться в отдельном помещении.

▶ 2.1.5. Все топливные баки должны храниться на минимальном безопасном расстоянии от обогревателя, в соответствии с действующими правилами.

▶ 2.1.6. Топливо должно храниться в зонах с поверхностью основания исключающей проникновение или протечку топлива, могущих быть причиной воспламенения.

▶ 2.1.7. Хранение топлива должно осуществляться в соответствии с правилами и требованиями действующего законодательства.

#### **▶▶ 2.2. БЕЗОПАСНОСТЬ:**

▶ 2.2.1. Не допускается использовать обогреватель в помещениях, в которых присутствует бензин, растворители краски или другие испарения легковоспламеняющихся веществ.

▶ 2.2.2. При эксплуатации оборудования соблюдать все правила и требования действующего законодательства.

▶ 2.2.3. Нагреватели, использующиеся в непосредственной близости от брезента, полотен или других подобных материалов покрытия, должны быть расположены на безопасном расстоянии от них. Рекомендуется также использовать для покрытия огнестойкие материалы.

▶ 2.2.4. Обогреватель использовать только в достаточно открытых и хорошо проветриваемых местах, с целью обеспечения доступа свежего воздуха снаружи, в соответствии с действующими требованиями и правилами.

▶ 2.2.5. Напряжение/частота сети питания должны соответствовать данным указанным на табличке расположенной на обогревателе.

▶ 2.2.6. Использовать только удлинители с заземлением.

▶ 2.2.7. Рекомендуемые минимальные безопасные расстояния между обогревателем и воспламеняющимися веществами: спереди = 2,5 м; сбоку, сверху и сзади = 1,5 м.

▶ 2.2.8. Во избежание возникновения пожара, горячий или работающий обогреватель

должен быть установлен на стабильном и ровном основании.

- ▶ 2.2.9. Животные должны находиться на безопасном расстоянии от обогревателя.
- ▶ 2.2.10. Отключать обогреватель от сети электропитания, если он не используется.
- ▶ 2.2.11. Неотключенный обогреватель, управляемый термостатом, может включиться самостоятельно в любой момент.
- ▶ 2.2.12. Никогда не использовать обогреватель в жилых помещениях с частым присутствием людей, а также в спальнях помещениях.
- ▶ 2.2.13. Никогда не закрывать воздухозаборник, а также, выход воздуха (с передней стороны) на обогревателе.
- ▶ 2.2.14. Не допускается преремещение, заправка, техническое обслуживание горячего обогревателя, а также обогревателя подключенного к сети электропитания.
- ▶ 2.2.15. Подключение дополнительных воздуховодов выполнять с помощью оригинальных комплектов (если предусмотрена возможность их подключения).
- ▶ 2.2.16. Нагретый обогреватель должен находиться на безопасном расстоянии от горючих или легковоспламеняемых материалов (включая кабель питания).
- ▶ 2.2.17. Если повреждена кабель электропитания, его необходимо заменить в техническом сервисном центре, во избежание несчастных случаев.

### 3. РАСПАКОВКА

**ПРЕДУПРЕЖДЕНИЕ:** Упаковочный материал - не игрушка для детей. Держать пластиковый пакет вдали от детей во избежание риска опасность удушья!

- ▶ 3.1. Устранить все упаковочные материалы, использованные для упаковки и транспортировки обогревателя. Утилизировать их в соответствии с действующими требованиями.
- ▶ 3.2. Если обогреватель помещен на поддон, аккуратно снять его с поддона.
- ▶ 3.3. Проверить нет ли повреждения, нанесенных во время перевозки. Если на обогревателе обнаружены повреждения, необходимо немедленно сообщить об этом представителю продавца, по месту приобретения оборудования.

### 4. СБОРКА

В зависимости от модели, обогреватели оснащены колёсами, ручкой и дымоходом, (РИС. 2). Эти компоненты, вместе с соответствующими крепежными деталями для монтажа, находятся в упаковке обогревателя.

### 5. ТОПЛИВО

**ПРЕДУПРЕЖДЕНИЕ:** Обогреватель работает только на ДИЗЕЛЬНОМ топливе или КЕРОСИНЕ.

Использовать только дизельное топливо или керосин, во избежание пожара или взрыва. Никогда не использовать бензин, нефть, растворители для краски, спирт или другие легковоспламеняющиеся виды топлива.

Использовать нетоксичный антифриз в случае очень низких температур.

Рекомендуется использовать зимнее дизельное топливо при температуре окружающей среды ниже 5°C.

## 6. ПРИНЦИП РАБОТЫ

**А.** Камера сгорания и горелка, **В.** Крыльчатка, **С.** Двигатель, **Д.** Насос, **Е.** Бак, **Ф.** Дымоход.

Насос засасывает топливо из бака, доводя его до рабочего давления. Топливо подаётся на форсунку, которая распыляет его в камере сгорания. Продукты сгорания смешанного с воздухом топлива выталкиваются наружу с помощью воздушного потока, создаваемого вращением крыльчатки. В моделях с прямым нагревом продукты сгорания выводятся в обогреваемое помещение, а в моделях с непрямым нагревом продукты сгорания должны быть выведены наружу, за пределы обогреваемого помещения, с помощью дымохода. Система датчиков, подключенных к электронной плате управления, обеспечивает правильную работу обогревателя и останавливает его работу в случае обнаружения неполадок.

## 7. РАБОТА

**ПРЕДУПРЕЖДЕНИЕ:** Внимательно прочтите “ИНФОРМАЦИЮ ПО ТЕХНИКЕ БЕЗОПАСНОСТИ”, перед включением обогревателя.

- ▶▶ **7.1. ВКЛЮЧЕНИЕ ОБОГРЕВАТЕЛЯ:**
- ▶ 7.1.1. Следовать всем инструкциям по технике безопасности.
- ▶ 7.1.2. Проверить наличие топлива в баке.
- ▶ 7.1.3. Закрыть пробку бака (РИС. 3).
- ▶ 7.1.4. Подсоединить штепсель к розетке подачи электроэнергии (РИС. 4) (СМ. НАПРЯЖЕНИЕ В “ТАБЛИЦЕ ТЕХНИЧЕСКИХ ДАННЫХ”).
- ▶ 7.1.5. Перевести переключатель в положение “ПЛАМЯ” (А РИС. 5). Обогреватель должен включиться в течение нескольких секунд. Если обогреватель не включается, обратиться к параграфу “12. ОПРЕДЕЛЕНИЕ ПРОБЛЕМЫ”.
- ▶ 7.1.6. Для максимальной мощности перевести переключатель в положение “ДВОЙНОЕ ПЛАМЯ” (В РИС. 5).
- ▶ 7.1.7. Нагреватель можно использовать в режиме вентиляции. Для активации этой функции следует перевести выключатель в положение “ВЕНТИЛЯТОР” (А РИС. 5).
- ▶ 7.1.8. Для моделей с термостатом помещения проверить заданную температуру (РИС. 6).

**ПРИМЕЧАНИЕ:** В случае выключения обогревателя из-за полного расхода топлива, долить топливо в бак и нажать кнопку сброса (см. параг. 7.2.).

**ВАЖНО:** В моделях с непрямым нагревом продукты сгорания должны быть выведены наружу. **ВЫПОЛНИТЬ ДЫМОХОД В СООТВЕТСТВИИ С ДЕЙСТВУЮЩИМИ ПРАВИЛАМИ И ТРЕБОВАНИЯМИ, СЛЕДОВАТЬ А ТАКЖЕ УКАЗАНИЯМИ, ПРИВЕДЕННЫМИ В СООТВЕТСТВУЮЩЕМ РАЗДЕЛЕ РУКОВОДСТВА.**

### ►► 7.2. СБРОС ОБОГРЕВАТЕЛЯ:

В случае выявления неполадки, обогреватель блокируется. Если кнопка сброса горит красным цветом (РИС. 7), значит выполнить сброс параметров. Сброс, осуществляется нажатием до упора кнопки сброса (РИС. 8). Перед повторным запуском обогревателя нужно найти и устранить причину, которая привела к блокировке (например, препятствие на входе воздухозаборника и/или при выходе воздуха, остановка вентилятора, и т.д.). Если невозможно устранить проблему, которая является причиной блокировки, обратиться в сервисный центр.

### ►► 7.3. ВЫКЛЮЧЕНИЕ ОБОГРЕВАТЕЛЯ:

Перевести переключатель "I/O" в положение "0" (А РИС. 5). Пламя погаснет, а вентилятор продолжит работать до полного охлаждения камеры сгорания. **Не отключать обогреватель от сети до завершения цикла охлаждения.**

## 8. ПРОЧИСТКА ФИЛЬТРОВ

**В ЗАВИСИМОСТИ ОТ КАЧЕСТВА ИСПОЛЬЗУЕМОГО ТОПЛИВА МОЖЕТ БЫТЬ НЕОБХОДИМО ВЫПОЛНИТЬ ПРОЧИСТКУ ФИЛЬТРОВ:**

### ►► 8.1. ФИЛЬТР ЗАПРАВКИ ТОПЛИВА (РИС. 9):

- 8.1.1. Снять пробку (А) бака.
- 8.1.2. Извлечь фильтр (В) из бака.
- 8.1.3. Промыть фильтр (В) чистым топливом, осторожно, чтобы не повредить его.
- 8.1.4. Установить фильтр (В) в бак.
- 8.1.5. Закрыть пробку (А).

### ►► 8.2. ФИЛЬТР ТОПЛИВА, (РИС. 10) В ЗАВИСИМОСТИ ОТ МОДЕЛИ:

- 8.2.1. Снять стакан (А).
- 8.2.2. Извлечь фильтр (В) из стакана, осторожно, чтобы не повредить прокладки.
- 8.2.3. Промыть фильтр (В) чистым топливом, осторожно, чтобы не повредить его.
- 8.2.4. Установить фильтр (В) в стакан.
- 8.2.5. Установить стакан на место (А), осторожно, чтобы правильно установить прокладки.

### ►► 8.3. ФИЛЬТР ТОПЛИВНОГО НАСОСА:

См. программу профилактического техобслуживания.

## 9. ХРАНЕНИЕ И ТРАНСПОРТИРОВКА

**ПРЕДУПРЕЖДЕНИЕ:** Перед любым перемещением, необходимо остановить обогреватель (см. параг. 7.3.), отключить электропитание, вынув штепсельную вилку из розетки (РИС. 11), дождаться полного охлаждения обогревателя и убедиться, что пробка бака хорошо закрыта, чтобы избежать утечки топлива. При перемещении обогревателя поддерживать его в ровном, горизонтальном положении.

**С ЦЕЛЬЮ ОБЕСПЕЧЕНИЯ ОПТИМАЛЬНЫХ УСЛОВИЙ ХРАНЕНИЯ ОБОГРЕВАТЕЛЯ, РЕКОМЕНДУЕТСЯ:**

- 9.1. Опорожнить топливный бак, с помощью сливной пробки, расположенной на дне бака (РИС. 12). Утилизировать топливо соответствующим образом и в соответствии с действующими требованиями и правилами.
- 9.2. Для устранения остатков, залить чистое топливо в бак и снова его опорожнить.
- 9.3. Закрыть пробку сливного отверстия бака.
- 9.4. Обогреватель, рекомендуется хранить в сухом месте, защищенном от возможных внешних воздействий.

## 10. ПОДКЛЮЧЕНИЕ КОМНАТНОГО ТЕРМОСТАТА

В моделях, с возможностью подключения комнатного термостата, снять крышку, и подключить комнатный термостат (опционально) (РИС. 13-14).

**ПРЕДУПРЕЖДЕНИЕ: ПЕРЕД ВЫПОЛНЕНИЕМ ЛЮБОГО ВИДА ТЕХОБСЛУЖИВАНИЯ ИЛИ РЕМОНТА ОТСОЕДИНИТЬ КАБЕЛЬ ПИТАНИЯ ОТ ЭЛЕКТРОСЕТИ И УБЕДИТЬСЯ, ЧТО ОБОГРЕВАТЕЛЬ ОСТЫЛ.**

## **11. ПРОГРАММА ПРОФИЛАКТИЧЕСКОГО ТЕХНИЧЕСКОГО ОБСЛУЖИВАНИЯ**

<b>КОМПОНЕНТ</b>	<b>ЧАСТОТА ТЕХОБСЛУЖИВАНИЯ</b>	<b>ПРОЦЕДУРА ТЕХОБСЛУЖИВАНИЯ</b>
Топливный бак	Чистить один раз в год или по необходимости	Опорожнить и ополоснуть бак, используя чистое топливо (СМ.ПАРАГ. 9.)
Фильтры	Чистить или заменять один раз в год или по необходимости (проверять целостность)	Чистить фильтры (СМ. ПАРАГ. 8.)
Фильтр насоса топлива	Чистить или заменять один раз в год или по необходимости (проверять целостность)	Обратиться в сервисный центр
Электроды	Чистить по необходимости	Обратиться в сервисный центр
Крыльчатка	Чистить по необходимости	Обратиться в сервисный центр
Камера сгорания	Чистить по необходимости	Обратиться в сервисный центр

## **12. ОПРЕДЕЛЕНИЕ ПРОБЛЕМЫ**

<b>ПРОБЛЕМА</b>	<b>ВОЗМОЖНАЯ ПРИЧИНА</b>	<b>ВОЗМОЖНОЕ РЕШЕНИЕ</b>
Обогреватель не запускается или не остается включенным	<ol style="list-style-type: none"> <li>1. Переключатель находится в положении "0"</li> <li>2. Нехватка питания</li> <li>3. Кабель питания разомкнут</li> <li>4. Электроника заблокирована или неисправна</li> <li>5. Неправильная установка термостата помещения (при наличии)</li> <li>6. Нехватка топлива</li> <li>7. Наличие посторонних веществ с контуре топлива</li> </ol>	<ol style="list-style-type: none"> <li>1. Перевести переключатель в положение "ПЛАМЯ" (А РИС. 5)</li> <li>2а. Вставить правильно кабель питания в розетку подачи электропитания (РИС. 4)</li> <li>2b. Проверить правильность напряжения вашей установки</li> <li>3. Обратиться в сервисный центр</li> <li>4а. Сбросить обогреватель (СМ. ПАРАГ. 7.2.)</li> <li>4b. Обратиться в сервисный центр</li> <li>5. Перевести термостат помещения на температуру работы выше, чем температура помещения (РИС. 6)</li> <li>6. Долить топливо и сбросить обогреватель</li> <li>7а. Опорожнить и наполнить бак, используя чистое топливо (СМ.ПАРАГ. 9.)</li> <li>7b. Чистить фильтры (СМ. ПАРАГ. 8.)</li> <li>7с. Обратиться в сервисный центр</li> </ol>
Обогреватель выделяет дым во время работы	<ol style="list-style-type: none"> <li>1. Наличие посторонних веществ с контуре топлива</li> <li>2. Помеха на входе воздухозаборника</li> <li>3. Неправильная подача воздуха</li> </ol>	<ol style="list-style-type: none"> <li>1а. Опорожнить и наполнить бак, используя чистое топливо (СМ.ПАРАГ. 9.)</li> <li>1b. Чистить фильтры (СМ. ПАРАГ. 8.)</li> <li>1с. Обратиться в сервисный центр</li> <li>2. Удалить все возможные заторы воздухозаборника</li> <li>3. Отрегулировать заслонку воздуха, расположенную под вентилятором в задней части нагревателя (влево заслонка закрывается, а вправо - открывается)</li> </ol>
Обогреватель не выключается	<ol style="list-style-type: none"> <li>1. Дефектная электроника</li> </ol>	<ol style="list-style-type: none"> <li>1. Обратиться в сервисный центр</li> </ol>



**DŮLEŽITÉ: PŘEČTĚTE A POCHOPTĚ TENTO NÁVOD PŘEDTÍM, NEŽ PŘISTOUPÍTE K MONTÁŽI, UVEDENÍ DO PROVOZU NEBO ÚDRŽBĚ TOHOTO OHŘÍVAČE. NESPRÁVNÉ POUŽITÍ OHŘÍVAČE MŮŽE MÍT ZA NÁSLEDEK VÁŽNÉ ZRANĚNÍ NEBO SMRT. UCHOVEJTE TENTO NÁVOD PRO BUDOUCÍ POUŽITÍ.**

## **1. POPIS**

Tato série horkovzdušných ohřivačů je vhodná zejména pro ohřev středně velkých nebo velkých místností nebo prostor.

Ohřivače s nepřímým vytápěním (OBR. 1) díky výměníku tepla umožňují oddělit spaliny od horkého vzduchu, který se uvolňuje do okolního prostředí. Tímto způsobem je možné přivádět proud čistého horkého vzduchu do místnosti určené k ohřevu a odvádět spaliny do vnějšího prostředí.

Tyto horkovzdušné ohřivače byly navrženy v souladu s nejmodernějšími standardy bezpečnosti, funkčnosti a provozní životnosti. Bezpečnostní zařízení vždy zajišťují správný provoz ohřivače.

## **2. BEZPEČNOSTNÍ**

### **INFORMACE**

#### **UPOZORNĚNÍ**



**DŮLEŽITÉ:** Tento spotřebič není určen pro používání osobami (včetně dětí) se sníženými fyzickými, smyslovými nebo duševními schopnostmi, nebo nezkušenými osobami, pokud nejsou pod dohledem osoby odpovědné za jejich bezpečnost. Děti musí být pod dozorem, aby se zajistilo, že si nebudou s přístrojem hrát.



**NEBEZPEČÍ:** Udušení oxidem uhelnatým může být fatální.

První příznaky udušení oxidem uhelnatým se podobají chřipce, s bolestmi hlavy, závratěmi a / nebo nevolností. Tyto příznaky mohou být způsobeny nesprávným fungováním ohřivače. V PŘÍPADĚ VÝSKYTU TĚCHTO PŘÍZNAKŮ OKAMŽITĚ VYJDĚTE VEN Z MÍSTNOSTI a nechte opravit přístroj v technickém servisním středisku.

#### ▶▶ **2.1. TANKOVÁNÍ:**

▶ 2.1.1. Pracovníci odpovědní za čerpání pohonných hmot musí být kvalifikovaní a plně obeznámeni s pokyny výrobce a platnými předpisy, které se vztahují k bezpečnosti zásobování topných těles.

▶ 2.1.2. Používejte pouze typ paliva výslovně uvedený na typovém štítku ohřivače.

▶ 2.1.3. Před doplňováním paliva vypněte ohřivač a nechte ho vychladnout.

▶ 2.1.4. Nádrže pro skladování paliva musí být umístěny v samostatném objektu.

▶ 2.1.5. Všechny palivové nádrže musí být v minimální bezpečné vzdálenosti od ohřivače, v souladu s platnými normami.

▶ 2.1.6. Palivo musí být skladováno v místnostech, kterých podlaha neumožňuje průnik a musí být zamezeno kapání paliva na plameny, které mohou způsobit jeho vznícení.

▶ 2.1.7. Skladování paliva musí být prováděno v souladu s místními předpisy.

#### ▶▶ **2.2. BEZPEČNOST:**

▶ 2.2.1. Nikdy nepoužívejte ohřivač v místnosti, ve které se vyskytuje benzín, ředidla nebo jiné vysoce hořlavé výpary.

▶ 2.2.2. Během používání přístroje dodržujte všechny místní předpisy a platné normy.

▶ 2.2.3. Ohřivače používané v blízkosti plachet, stanů a jiných podobných krycích materiálů musí být umístěny v bezpečné vzdálenosti od nich. Doporučuje se používat ohnivzdorné krycí materiály.

▶ 2.2.4. Používejte pouze v dobře větraných prostorách. Postarejte se o zabezpečení adekvátního otvoru, v souladu s předpisy, pro přívod čerstvého vzduchu z vnějšího prostředí.

▶ 2.2.5. Napájejte ohřivač pouze proudem s napětím a frekvencí, jak je uvedeno na typovém štítku.

▶ 2.2.6. Používejte pouze řádně uzemněné prodlužovací šňůry.

▶ 2.2.7. Doporučené minimální bezpečnostní vzdálenosti mezi ohřivačem a hořlavými materiály jsou: přední výstup = 2,5 m; boční, horní a zadní = 1,5 m.

▶ 2.2.8. Umístěte teplý ohřivač, nebo ohřivač v provozu na pevný a rovný povrch, aby se zabránilo nebezpečí vzniku požáru.

▶ 2.2.9. Udržujte domácí zvířata v bezpečné vzdálenosti od ohřivače.

▶ 2.2.10. Když přístroj nepoužíváte, odpojte jej od elektrické sítě.

▶ 2.2.11. Pokud je ohřivač řízen termostatem, může se kdykoliv zapnout.



- ▶ **2.2.12.** Nikdy nepoužívejte ohřívač v často obývaných místnostech, ani v ložnicích.
- ▶ **2.2.13.** Nikdy neblokuje nasávací otvor vzduchu anebo odváděcí otvor vzduchu (přední část) ohřívače.
- ▶ **2.2.14.** Když je ohřívač teplý, zapojený do elektrické sítě anebo v provozu, nesmí se nikdy přemísťovat, manipulovat, doplňovat palivem anebo provádět na něm jakékoli údržbářské zásahy.
- ▶ **2.2.15.** Vyhněte se použití potrubí na přívod/odvod vzduchu s výjimkou originálních sad (tam, kde se předpokládají).
- ▶ **2.2.16.** Dodržujte bezpečnou vzdálenost horkých částí ohřívače od hořlavých nebo termolabilních materiálů (včetně napájecího kabelu).
- ▶ **2.2.17.** Je-li napájecí kabel poškozený, musí být vyměněn servisní technickou službou, aby se předešlo jakémukoli riziku.

### **3. ROZBALENÍ**

**UPOZORNĚNÍ:** Obalový materiál není hračkou pro děti. Uchovávejte plastový sáček mimo dosah dětí, nebezpečí udušení!

- ▶ **3.1.** Odstraňte všechny obalové materiály použité pro balení a expedici ohřívače. Likvidujte v souladu s platnými předpisy.
- ▶ **3.2.** Pokud je ohřívač umístěn na podstavci, opatrně jej z něj sejměte.
- ▶ **3.3.** Zkontrolujte případné škody vzniklé během přepravy. Zdá-li se ohřívač poškozený, okamžitě informujte prodejce, u kterého byl zakoupen.

### **4. MONTÁŽ**

Tyto ohřívače jsou standardně vybaveny kolečky, rukojetí a spojkou kouřovodu v závislosti na modelu (OBR. 2). Tyto komponenty, spolu s příslušnými šrouby, se nacházejí v balení s ohřívačem.

### **5. PALIVO**

**UPOZORNĚNÍ:** Ohřívač pracuje pouze s NAFTOU nebo ELTO.

Používejte pouze naftu nebo elto, aby se zabránilo nebezpečí vzniku požáru nebo výbuchu. Nikdy nepoužívejte benzin, surovou naftu (ropu), ředidla pro barvy, alkohol a jiné palivové vysoce vznětlivé látky.

V případě použití v podmínkách s nízkou teplotou používejte netoxické přísady proti zamrznutí.

Doporučuje se použít zimní naftu při teplotách pod 5°C.

## **6. PRINCIPY FUNGOVÁNÍ**

**A.** Spalovací komora a horák, **B.** Ventilátor, **C.** Motor, **D.** Čerpadlo, **E.** Nádrž, **F.** Spojka kouřovodu.

Čerpadlo nasává palivo z nádrže při provozním tlaku. Palivo je přiváděno do trysky, která jej rozprašuje ve spalovací komoře. Spalování probíhá pomocí směsi vzduch/palivo a jeho produkty jsou odváděny ven proudem vzduchu, který je generován rotací ventilátoru. U modelů s přímým vytápěním jsou produkty spalování odváděny do vytápěného prostředí, zatímco u modelů s nepřímým vytápěním mohou být produkty spalování odváděny do vnějšího prostředí prostřednictvím vhodného systému potrubí. Série senzorů, zapojených na kontrolní elektronickou kartu, neustále sleduje správné fungování ohřívače a v případě anomálie jej okamžitě zastaví.

## **7. FUNGOVÁNÍ**

**UPOZORNĚNÍ:** Před zapnutím ohřívače si pozorně přečtěte "INFORMACE O BEZPEČNOSTI".

### **▶▶ 7.1. SPUŠTĚNÍ OHŘÍVAČE:**

- ▶ **7.1.1.** Dodržujte všechny bezpečnostní pokyny.
- ▶ **7.1.2.** Zkontrolujte přítomnost paliva v nádrži.
- ▶ **7.1.3.** Zavřete víčko nádrže (OBR. 3).
- ▶ **7.1.4.** Připojte napájecí kabel k elektrické síti (OBR. 4) (VIZ NAPĚTÍ V „TABULCE S TECHNICKÝMI ÚDAJI“).
- ▶ **7.1.5.** Umístěte vypínač zapnutí do polohy „PLAMEN“ (A OBR. 5). Ohřívač by se měl zapnout během několika vteřin. Pokud se ohřívač nespustí, konzultujte odstavec „12. URČENÍ PROBLÉMU“.
- ▶ **7.1.6.** Pro dosažení maximálního výkonu umístěte vypínač napájení do polohy „DVOJÍ PLAMEN“ (B OBR. 5).
- ▶ **7.1.7.** Ohřívač může být použit v režimu ventilace, k aktivaci této funkce umístěte vypínač zapnutí do polohy „VENTILÁTOR“ (A OBR. 5).
- ▶ **7.1.8.** U modelů s termostatem prostředí zkontrolujte nastavenou teplotu (OBR. 6).

**POZN.: V PŘÍPADĚ VYPNUTÍ OHŘÍVAČE V DŮSLEDKU VYČERPÁNÍ PALIVA DOPLŇTE PALIVO A RESEITUJTE OHŘÍVAČ (VIZ Odst. 7.2.).**

**DŮLEŽITÉ:** U modelů s nepřímým vytápěním lze odvádět spaliny do vnějšího prostředí. **ZAPOJTE POTRUBÍ PODLE PLATNÝCH PŘEDPISŮ A S RESPEKTOVÁNÍM POKYŇŮ UVEDENÝCH V PŘÍSLUŠNÉ ČÁSTI TOHOTO NÁVODU.**

### ►► 7.2. RESET OHŘÍVAČE:

V případě výskytu anomálie během normálního provozu se ohříváč zablokuje. Když se resetovací tlačítko rozsvítí stálým červeným světlem (OBR. 7), znamená to, že ohříváč musí být resetován. Pro resetování ohříváče stiskněte až na doraz resetovací tlačítko (OBR. 8). Před opětovným uvedením ohříváče do provozu je nutné najít a opravit příčinu, která vygenerovala zablokování (např. obstrukce proudění vzduchu na přívodu a/nebo odvodu, zastavení ventilátoru, atd.). Pokud nejste schopni opravit problém, který způsobil zablokování, kontaktujte servisní středisko.

### ►► 7.3. VYPNUTÍ OHŘÍVAČE:

Umístěte vypínač "I/O" do polohy "0" (A OBR. 5). Plamen zhasne a ventilátor běží až do úplného ochlazení spalovací komory. **Neodpojujte z proudové zásuvky až do úplného dokončení chladicího cyklu.**

## **8. ČIŠTĚNÍ FILTRŮ**

**V ZÁVISLOSTI OD POUŽÍVANÉHO PALIVA MŮŽE BÝT ZAPOTŘEBÍ PROČIŠTĚNÍ FILTRŮ:**

### ►► 8.1. PLNÍCÍ FILTR (OBR. 9):

- 8.1.1. Sejměte víčko (A) nádrže.
- 8.1.2. Vytáhněte filtr (B) z nádrže.
- 8.1.3. Vyčistěte filtr (B) s čistým palivem, dávejte pozor, abyste jej nepoškodili.
- 8.1.4. Namontujte filtr (B) do nádrže.
- 8.1.5. Zavřete víčko (A).

### ►► 8.2. SACÍ FILTR (OBR. 10) V ZÁVISLOSTI NA MODELU:

- 8.2.1. Vyjměte baňku (A).
- 8.2.2. Opatrně vytáhněte filtr (B) z baňky a uchovejte těsnění.
- 8.2.3. Vyčistěte filtr (B) s čistým palivem, dávejte pozor, abyste jej nepoškodili.
- 8.2.4. Namontujte filtr (B) do baňky.
- 8.2.5. Opatrně namontujte baňku (A) a dbejte na správnou montáž těsnění.

### ►► 8.3. FILTR PALIVOVÉHO ČERPADLA:

Viz program preventivní údržby.

## **9. SKLADOVÁNÍ A PŘEPRAVA**

**UPOZORNĚNÍ:** Před každým přemístěním je nezbytné ohříváč zastavit (VIZ Odst. 7.3.), odpojit od elektrického napájení vytažením zástrčky z proudové zásuvky (OBR. 11), počkat na úplné ochlazení ohříváče a ujistit se, že víčko nádrže je pevně uzavřené, aby nedocházelo k únikům paliva. **Manipulujte s ohříváčem vždy ve vodorovné poloze.**

**PRO CO NEJLEPŠÍ UCHOVÁVÁNÍ A PŘEPRAVU OHŘÍVAČE SE DOPORUČUJE DODRŽOVAT NÁSLEDUJÍCÍ POKYNY:**

- 9.1. Vyprázdněte palivovou nádrž odstraněním vypouštěcí zátky na dně nádrže (OBR. 12). Zlikvidujte palivo vhodným způsobem a v souladu s platnými předpisy.
- 9.2. Pokud se uvnitř nádrže nacházejí nečistoty, naplňte nádrž čistým palivem a pak ji opětovně vyprázdněte.
- 9.3. Zavřete vypouštěcí zátku a víčko nádrže.
- 9.4. Pro co nejlepší uchování ohříváče se doporučuje skladovat jej na suchém místě a chránit před možným poškozením.

## **10. PŘIPOJENÍ POKOJOVÉHO TERMOSTATU**

U modelů vybavených připojením termostatu sejměte kryt připojený k ohříváči a připojte pokojový termostat (volitelné příslušenství) (OBR. 13-14).

**UPOZORNĚNÍ: PŘED PROVEDENÍM JAKÉKOLIV ÚDRŽBY ANEBU OPRAVY ODPOJTE NAPÁJECÍ KABEL Z ELEKTRICKÉ SÍTĚ A UBEZPEČTE SE, ŽE OHŘÍVAČ JE STUDENÝ.**

## 11. PROGRAM PREVENTIVNÍ ÚDRŽBY

KOMPONENT	FREKVENCE ÚDRŽBY	PROCEDURA ÚDRŽBY
Nádrž na palivo	Vyčistěte jednou za rok nebo podle potřeby	Vyprázdněte a opláchněte nádrž čistým palivem (VIZ ODST. 9.)
Filtry	Vyčistěte nebo vyměňte jednou za rok nebo podle potřeby (kontrola integrity)	Vyčistěte filtry (VIZ ODST. 8.)
Filtr palivového čerpadla	Vyčistěte nebo vyměňte jednou za rok nebo podle potřeby (kontrola integrity)	Obraťte se na technické servisní středisko
Elektrody	Vyčistěte podle potřeby	Obraťte se na technické servisní středisko
Ventilátor	Vyčistěte podle potřeby	Obraťte se na technické servisní středisko
Spalovací komora	Vyčistěte podle potřeby	Obraťte se na technické servisní středisko

## 12. URČENÍ PROBLÉMU

PROBLÉM	MOŽNÁ PŘÍČINA	MOŽNÉ ŘEŠENÍ
Ohřívač se nespustí nebo nezůstane zapnutý	<ol style="list-style-type: none"> <li>Vypínač zapalování je v poloze "0"</li> <li>Chybí napájení</li> <li>Přípojovací kabel přerušený</li> <li>Elektronika zablokována nebo vadná</li> <li>Nesprávné nastavení pokojového termostatu (pokud existuje)</li> <li>Nedostatek paliva</li> <li>Přítomnost cizích těles v palivovém okruhu</li> </ol>	<ol style="list-style-type: none"> <li>Umístěte vypínač zapnutí do polohy „PLAMEN“ (A OBR. 5)</li> <li>2a. Správně zasuňte napájecí kabel do zásuvky (OBR. 4)</li> <li>2b. Zkontrolujte správné napětí vašeho zařízení</li> <li>3. Obraťte se na technické servisní středisko</li> <li>4a. Resetujte ohřívač (VIZ ODST. 7.2.)</li> <li>4b. Obraťte se na technické servisní středisko</li> <li>5. Působte na pokojový termostat a nastavte jej na teplotu vyšší, než je pracovní prostředí (OBR. 6)</li> <li>6. Doplněte palivo a případně resetujte ohřívač</li> <li>7a. Vyprázdněte a naplňte nádrž čistým palivem (VIZ ODST. 9.)</li> <li>7b. Vyčistěte filtry (VIZ ODST. 8.)</li> <li>7c. Obraťte se na technické servisní středisko</li> </ol>
Ohřívač generuje kouř během provozu	<ol style="list-style-type: none"> <li>Přítomnost cizích těles v palivovém okruhu</li> <li>Překážky v otvoru přívodu vzduchu</li> <li>Nesprávný přívod vzduchu</li> </ol>	<ol style="list-style-type: none"> <li>1a. Vyprázdněte a naplňte nádrž čistým palivem (VIZ ODST. 9.)</li> <li>1b. Vyčistěte filtry (VIZ ODST. 8.)</li> <li>1c. Obraťte se na technické servisní středisko</li> <li>2. Odstraňte všechny možné překážky z otvoru proudění vzduchu</li> <li>3. Regulujte vzduchovou klapku umístěnou pod ventilátorem na zadní straně ohřívače (směrem doleva se klapka zavře, směrem doprava se klapka otevře)</li> </ol>
Ohřívač se nevypne	<ol style="list-style-type: none"> <li>Vadná elektronika</li> </ol>	<ol style="list-style-type: none"> <li>1. Obraťte se na technické servisní středisko</li> </ol>

**FONTOS: A HŐLÉGFÚVÓ ÖSSZESZERELÉSE, MŰKÖDÉSBE HELYEZÉSE VAGY KARBANTARTÁSA ELŐTT FIGYELMESEN OLVASSA EL ÉS ÉRTSE MEG AZ ALÁBBI HASZNÁLATI UTASÍTÁSBAN LEÍRT INFORMÁCIÓKAT. A HŐLÉGFÚVÓ HELYTELEN HASZNÁLATA KOMOLY TESTI SÉRÜLÉSEKET OKOZHAT. A HASZNÁLATI UTASÍTÁST TARTSA MEG KÉSŐBBI HIVATKOZÁSHOZ.**


## 1. LEÍRÁS


Ezek a meleg levegős hőlégfűvők közepes és nagy helyiségek, terek melegítésére szolgálnak. A kémény nélküli hőlégfűvők (1. ÁBRA) egy hőcserélőnek köszönhetően lehetővé teszik a égéstermékek és a környezetbe jutó meleg levegő szétválasztását. Ily módon lehetőség van a tiszta meleg levegőnek a fűtendő helyiségbe történő beáramoltatására és az égéstermékek kültérbe történő vezetésére.

Ezek a meleg levegős hőlégfűvők a legmodernebb biztonságot, működést és élettartamot biztosító követelmények szerint lettek tervezve. Biztonsági berendezések biztosítják a hőlégfűvők rendeltetésszerű működését.

hu

## 2. BIZTONSÁGI SZABÁLYOK FIGYELMEZTETÉSEK

 **FONTOS:** A készüléket csökkent értelmi, fizikai képességű vagy megfelelő tapasztalattal nem rendelkező személyek (beleértve a gyermekeket is) nem használhatják, kivéve, ha biztonságukról gondosodik egy a készülék használatát felügyelő személy. A gyermekeknek ne engedje, hogy játsszanak a készülékkel.

 **VESZÉLY:** A szénmonoxid mérgezés halálos kimenetelű lehet.

A szén-monoxid mérgezés első jelei hasonlítanak az influenza tüneteire: fejfájás, szédülés és/vagy hányinger. Ezen tüneteket a hőlégfűvő meghibásodása okozhatja. **AMENNYIBEN EZEKET A TÜNETEKET ÉSZLELI, AZONNAL MENJEN KI A SZABAD LEVEGŐRE** és javíttassa meg a hőlégfűvőt a műszaki szerviz szolgálattal.

### ▶▶ 2.1. AZ ÜZEMANYAG BETÖLTÉSE:

- ▶ 2.1.1. A hőlégfűvő üzemanyaggal történő feltöltését a gyártói utasítások és a hőlégfűvő biztonságos feltöltésére vonatkozó érvényben lévő szabályok teljes ismeretében lévő szakember végezheti.
- ▶ 2.1.2. Kizárólag a hőlégfűvő azonosító tábláján lévő tüzelőanyagot használja.
- ▶ 2.1.3. A feltöltés előtt kapcsolja le a hőlégfűvőt majd várja meg míg kihűl.

▶ 2.1.4. Az üzemanyagkannákat elkülönített helyen kell tárolni.

▶ 2.1.5. Az érvényben lévő szabályoknak megfelelően a az üzemanyagkannáknak tartályoknak a minimális biztonsági távolságra kell lenniük a hőlégfűvőtől.

▶ 2.1.6. A fűtőanyagot olyan helyen tárolja, ahol a padlózat nem teszi lehetővé a penetrációt és a fűtőanyag cseppek nem okoznak öngyulladás.

▶ 2.1.7. A fűtőanyag tárolását az érvényben lévő szabályoknak megfelelően kell végezni.

### ▶▶ 2.2. BIZTONSÁG:

▶ 2.2.1. Soha ne használja a hőlégfűvőt olyan helyiségben, ahol benzint, hígítót tárol, vagy egyéb gyúlékony gőz keletkezhet.

▶ 2.2.2. A hőlégfűvő használata során tartsa be a helyi előírásokat és a vonatkozó szabványokat.

▶ 2.2.3. Ha a hőlégfűvő ponyvák, vásznak vagy egyéb takaró anyagok közelében használja, tartson megfelelő biztonsági távolságot. Azt tanácsoljuk, használjon tűzálló takaróponyvákat.

▶ 2.2.4. A hőlégfűvőt kizárólag jól szellőző helyen használja. Biztosítson az érvényben lévő szabályoknak megfelelően tág teret friss levegő beengedésére.

▶ 2.2.5. A hőlégfűvőt kizárólag olyan hálózatra csatlakoztassa, amelynek feszültsége és frekvenciája megegyezik a készülék azonosító adattábláján feltüntetett frekvencia és feszültség adatokkal.

▶ 2.2.6. Kizárólag megfelelően földelt hosszabbítókábelt használjon.

▶ 2.2.7. A minimum ajánlott biztonsági távolság a hőlégfűvő és a gyúlékony anyagok között: elülső kimenetnél = 2,5 m; oldalsó, magasság és hátsó távolság = 1,5 m.

▶ 2.2.8. A tűzveszély elkerülése érdekében helyezze a meleg vagy még működő hőlégfűvőt egy stabil vízszintes felületre.

▶ 2.2.9. Az állatokat tartsa a hőlégfűvőtől biztonságos távolságban.

▶ 2.2.10. Amikor a készüléket nem használja, húzza ki a dugót a hálózati csatlakozóból.

▶ 2.2.11. Amikor a hőlégfűvőt termostát vezérli, az bármikor bekapcsolhat.



- ▶ 2.2.12. Ne használja a hőlégfűvót gyakran látogatott helyeken, és hálószobákban.
- ▶ 2.2.13. Ne fedje le a hőlégfűvó levegőbeszívó és kifűvó (elöl) nyílásait.
- ▶ 2.2.14. Ne helyezze át, ne töltsse fel a hőlégfűvót, és ne végezzen rajta karbantartási munkálatokat illetve egyéb beavatkozásokat, ha a működik vagy csatlakoztatva van az elektromos hálózatba.
- ▶ 2.2.15. A kimenő és bemenő levegő terelését eredeti készlettel (ahol biztosított) végezze.
- ▶ 2.2.16. A készülék forró részeit tartsa gyúlékony vagy hőre lágyuló anyagoktól (a tápvezetéket beleértve) biztonságos távolságra.
- ▶ 2.2.17. A balesetveszély elkerülése érdekében ha a tápvezeték sérült, cseréltesse ki márkaszervizben.

### **3. A CSOMAGOLÁS ELTÁVOLÍTÁSA**

**FIGYELMEZTETÉS:** A csomagolóanyag nem játékszer. A műanyag csomagolót tartsa távol gyermekektől; fulladásveszély!

- ▶ 3.1. Távolítsa el a hőlégfűvóról az összes csomagoláshoz és szállításhoz használt anyagot. Selejtezze őket az érvényben lévő szabályoknak megfelelően.
- ▶ 3.2. Amennyiben a hőlégfűvó raklapon került kiszállításra, óvatosan emelje le onnan.
- ▶ 3.3. Ellenőrizze, hogy a készülék nem szenvedett-e károkat a szállítás során. Amennyiben a hőlégfűvón sérülések láthatók, forduljon haladéktalanul ahhoz a márkakereskedőhöz, ahol a terméket vásárolta.

### **4. ÖSSZESZERELÉS**

Ezek a hőlégfűvók modelltől függően kerékkel, kézikarral és kéménnyel vannak felszerelve (2. ÁBRA). Ezek az elemek a felszereléshez szükséges csavarokkal együtt a csomagolásban található.

### **5. TÜZELŐANYAG**

**FIGYELMEZTETÉS:** A hőlégfűvó kizárólag DÍZELOLAJJAL működik.

Tűz vagy robbanás elkerülésére használjon kizárólag dízelolajat. Soha ne használjon benzint, oldószereket, alkoholt vagy más gyúlékony fűtőanyagot.

Nagyon alacsony hőmérséklet esetén használjon fagyálló nem mérgező adalékanyagokat. +5°C alatti hőmérsékletnél ajánlott a téli gázolaj használata.

## **6. MŰKÖDÉSI ELV**

**A.** Égéskamra és égőfej, **B.** Ventilátor, **C.** Motor, **D.** Szivattyú, **E.** Tartály, **F.** Kémény.

A szivattyú a fűtőanyagot a tartályból beszívja majd az égőfejhez szállítja. A fűtőanyag a fűvókához jutva szétporlad az égéskamrában. Az égés a levegő és fűtőanyag keveredésével jön létre, az égéstermék a ventilátor által kevert légáram segítségével távozik. Kémény nélküli modelleknél az égéstermék a fűtött környezetbe jut, míg a kéményes modelleknél az égéstermék a kéményen keresztül a külső környezetbe jut. A vezérlőelektronikához csatlakoztatott érzékelők ellenőrzik folyamatosan a hőlégfűvók megfelelő működését, melyek rendellenesség esetén leállítják a ciklust.

## **7. MŰKÖDÉS**

**FIGYELMEZTETÉS:** A hőlégfűvó bekapcsolása előtt olvassa el figyelmesen a „BIZTONSÁGI SZABÁLYOK” c. fejezetet.

### **▶▶ 7.1. A HŐLÉGFŰVÓ**

#### **BEKAPCSOLÁSA:**

- ▶ 7.1.1. Járjon el a biztonsági előírásoknak megfelelően.
- ▶ 7.1.2. Ellenőrizze, hogy van-e a fűtőanyag a tartályban.
- ▶ 7.1.3. Zárja le a tartály fedelét (3. ÁBRA).
- ▶ 7.1.4. Csatlakoztassa a hálózati csatlakozót az elektromos hálózathoz (4. ÁBRA) (FESZÜLT SÉGET LÁSD A „MŰSZAKI ADATOK TÁBLÁZATÁBAN”).
- ▶ 7.1.5. Állítsa a berendezés kapcsolóját „LÁNG” állásba (5. ÁBRA, A). A melegítő néhány másodperc múlva bekapcsol. Amennyiben a léghevítő nem indul el, olvassa el a „12. PROBLÉMA FELTÁRÁSA” című fejezetet.
- ▶ 7.1.6. A maximális teljesítményű üzemhez fordítsa a teljesítmény választó kapcsolót „KETTŐS LÁNG” állásba (5. ÁBRA, B).
- ▶ 7.1.7. A léghevítő szellőztetési módban is használható. Ennek a funkciónak a bekapcsolásához fordítsa a kapcsolót „VENTILÁTOR” állásba (5. ÁBRA, A).
- ▶ 7.1.8. Külső termosztáttal felszerelt modellek esetén ellenőrizze a beállított hőmérsékletet (6. ÁBRA).

**MEGJ: HA A HŐLÉGFŰVÓT AMIATT KELL LEKAPCSOLNA, MERT A FŰTŐANYAG KIFOGYOTT, TÖLTSE FEL A TARTÁLYT, MAJD INDÍTSA ÚJRA A HŐLÉGFŰVÓT (LÁSD 7.2. BEKEZDÉS).**



**FONTOS: A kéményes modelleken az égéstermék a kéményen át távozik. A KÉMÉNY KIÉPÍTÉSÉT AZ ÉRVÉNYBEN LÉVŐ SZABÁLYOKNAK MEGFELELŐEN VÉGEZZE EL, TARTSA BE A KÉZIKÖNYV MEGFELELŐ BEKEZDÉSEINEK ELŐÍRÁSAIT.**

### ►► 7.2. A HŐLÉGFÚVÓ ÚJRAINDÍTÁSA:

A készülék normál működésének rendellenessége esetén a hőlégfúvó kikapcsol. A reset gomb folyamatos világítása (7. ÁBRA) azt jelenti, hogy a hőlégfúvót újra kell indítani. A hőlégfúvó újraindításához nyomja le teljesen a reset gombot (8. ÁBRA). Mielőtt a léghevítőt üzembe helyezné, azonosítsa és szüntesse meg a hőlégfúvó leállítását okozó problémát (pl. légbeszívó eltömődése a bemenetnél és/vagy a levegő előremenőnél, ventilátor leállása, stb...). Amennyiben nem sikerül megszüntetni a hőlégfúvó leállítását okozó problémát, forduljon a műszaki szerviz szolgálathoz.

### ►► 7.3. A HŐLÉGFÚVÓ KIKAPCSOLÁSA:

Állítsa az „I/O” kapcsolót „0” állásba (5. ÁBRA A). Az égés befejeződik, a ventilátor az égéskamra teljes kihűléséig tovább működik. **A hűtési ciklus befejezéséig ne válassza le a hőlégfúvót a hálózatról.**

## 8. SZŰRŐK TISZTÍTÁSA

**AZ ALKALMAZOTT FŰTŐANYAG MINŐSÉGÉTŐL FÜGGŐEN SZÜKSÉGES A SZŰRŐK TISZTÍTÁSA:**

### ►► 8.1. TÖLTŐ SZŰRŐ (9. ÁBRA):

- 8.1.1. Távolítsa el a tartályt fedelét (A)
- 8.1.2. Távolítsa el a szűrőt (B) a tartályból.
- 8.1.3. Tisztítsa meg a szűrőt (B) tiszta fűtőanyaggal vigyázva, nehogy megsértse.
- 8.1.4. Helyezze vissza a szűrőt (B) a tartályba.
- 8.1.5. Zárja le a tartály fedelét (A).

### ►► 8.2. ÜZEMANYAGSZŰRŐ (10. ÁBRA) MODELLTŐL FÜGGŐEN:

- 8.2.1. Távolítsa el a poharat
- 8.2.2. Távolítsa el a szűrőt (B) a pohárból, ügyelve a tömítésekre.
- 8.2.3. Tisztítsa meg a szűrőt (B) vigyázva, hogy nehogy megsértse.
- 8.2.4. Helyezze vissza a szűrőt (B) a pohárba.
- 8.2.5. Helyezze vissza a poharat (A), ügyeljen a tömítések megfelelő visszahelyezésére.

### ►► 8.3. FŰTŐANYAG SZIVATTYÚ SZŰRŐ:

Lásd megelőző karbantartás.

## 9. TÁROLÁS ÉS SZÁLLÍTÁS

**FIGYELMEZTETÉS:** A gép bármilyen áthelyezése előtt állítsa le a hőlégfúvót (LÁSD 7.3. BEKEZDÉS), válassza le a hálózatról, húzza ki a csatlakozó dugót az elektromos csatlakozóból (11. ÁBRA), várja meg, míg a hőlégfúvó teljesen kihűl, és ellenőrizze, hogy a tartály fedele jól le van-e zárva. A hőlégfúvót vízszintes felületre helyezze.

**A HŐLÉGFÚVÓ OPTIMÁLIS TÁROLÁSA ÉRDEKÉBEN JÁRJON EL AZ ALÁBBIK SZERINT:**

- 9.1. Ürítse ki a tartályt, ehhez távolítsa el a tartály alsó részén található ürítő csavart (12. ÁBRA). A fűtőanyagot az érvényben lévő szabályoknak megfelelően selejtezze.
- 9.2. Maradvány fűtőanyag esetén öntsön tiszta fűtőanyagot a tartályba és ürítse ki újra.
- 9.3. Zárja le az ürítő csavart és a tartály fedelét.
- 9.4. A hőlégfúvó optimális tárolása érdekében helyezze a hőlégfúvót száraz helyre, védje külső sérülésektől.

## 10. TERMOSZTÁT CSATALKOZTATÁSA

Termosztáttal felszeret modellek esetén távolítsa el a hőlégfúvóhoz kapcsolt fedelet és csatlakoztassa a termosztátot (opcionális) (13-14. ÁBRA).

**FIGYELMEZTETÉS: BÁRMELY KARBANTARTÁSI VAGY JAVÍTÁSI BEAVATKOZÁS ESETÉN VÁLASSZA LE A HŐLÉGFÚVÓT A HÁLÓZATRÓL ÉS ELLENŐRIZZE, HOGY A HŐLÉGFÚVÓ KIHÚLT-E.**

## **11. MEGELŐZŐ KARBANTARTÁS**

<b>ÖSSZETEVŐK</b>	<b>KARBANTARTÁS GYAKORISÁGA</b>	<b>KARBANTARTÁS FOLYAMATA</b>
Üzemanyagtartály	Tisztítsa évente vagy szükség szerint	Ürítse ki és öblítse ki a tartályt tiszta fűtőanyaggal (LÁSD 9. BEKEZDÉS)
Szűrők	Tisztítsa vagy cserélje évente vagy szükség szerint (ellenőrizze a szűrők épségét)	Tisztítsa meg a szűrőket (LÁSD 8. BEKEZDÉS)
Üzemanyagszivattyú szűrője	Tisztítsa vagy cserélje évente vagy szükség szerint (ellenőrizze a szűrők épségét)	Forduljon a vevőszolgálathoz
Elektródák	Tisztítsa szükség szerint	Forduljon a vevőszolgálathoz
Ventilátor	Tisztítsa szükség szerint	Forduljon a vevőszolgálathoz
Égéskamra	Tisztítsa szükség szerint	Forduljon a vevőszolgálathoz

## **12. HIBAELHÁRÍTÁS**

<b>PROBLÉMA</b>	<b>LEHETSÉGES OK</b>	<b>LEHETSÉGES MEGOLDÁS</b>
A hőlégfúvó nem indul el vagy nem kapcsol be	<ol style="list-style-type: none"> <li>1. A kapcsoló "0" állásban van</li> <li>2. Áram hiány</li> <li>3. A tápkábel eltört</li> <li>4. Az elektronika kikapcsolt vagy hibás</li> <li>5. A termosztát hibásan van beállítva (ahol van)</li> <li>6. Nincs üzemanyag</li> <li>7. Az üzemanyagvezetékben dugulás van</li> </ol>	<ol style="list-style-type: none"> <li>1. Állítsa a berendezés kapcsolóját „LÁNG” állásba (5. ÁBRA, A)</li> <li>2a. Csatlakoztassa megfelelően a tápkábelt az elektromos hálózatba (4. ÁBRA)</li> <li>2b. Ellenőrizze a berendezés megfelelő feszültségét</li> <li>3. Forduljon a vevőszolgálathoz</li> <li>4a. Indítsa újra a hőlégfúvót (LÁSD 7.2. BEKEZDÉS)</li> <li>4b. Forduljon a vevőszolgálathoz</li> <li>5. Állítsa a hőlégfúvót termosztát hőmérsékletét a munkakörnyezetnél nagyobb hőmérsékletre (6. ÁBRA)</li> <li>6. Töltse fel a tartályt üzemanyaggal majd indítsa újra a hőlégfúvót</li> <li>7a. Ürítse ki a tartályt majd töltse fel tiszta üzemanyaggal (LÁSD 9. BEKEZDÉS)</li> <li>7b. Tisztítsa meg a szűrőket (LÁSD 8. BEKEZDÉS)</li> <li>7c. Forduljon a vevőszolgálathoz</li> </ol>
A hőlégfúvó működése közben füst keletkezik	<ol style="list-style-type: none"> <li>1. Az üzemanyagvezetékben dugulás van</li> <li>2. Légbeszívó bemeneténél dugulás van</li> <li>3. Helytelen levegő ellátás</li> </ol>	<ol style="list-style-type: none"> <li>1a. Ürítse ki és töltse fel a tartályt tiszta üzemanyaggal (LÁSD 9. BEKEZDÉS)</li> <li>1b. Tisztítsa meg a szűrőket (LÁSD 8. BEKEZDÉS)</li> <li>1c. Forduljon a vevőszolgálathoz</li> <li>2. Távolítson el minden lehetséges dugulást a légbeszívónál</li> <li>3. Állítsa be a ventilátor alá a berendezés hátsó részére felszerelt légmennyiség szabályozó zsalut (bal felé a zsalu nyit, jobb felé zár)</li> </ol>
A hőlégfúvó nem kapcsol be	<ol style="list-style-type: none"> <li>1. Hibás elektronika</li> </ol>	<ol style="list-style-type: none"> <li>1. Forduljon a vevőszolgálathoz</li> </ol>

**POMEMBNO: PRED MONTAŽO, PRVIM ZAGONOM IN VZDRŽEVALNIMI POSEGI NA TEM GRELNIKU PREBERITE UPORABNIŠKI PRIROČNIK IN SE SEZNANITE Z NJEGOVO VSEBINO. NAPAČNA UPORABA GRELNIKA IMA LAHKO ZA POSLEDICO HUDE POŠKODBE. TA PRIROČNIK SKRBNO SHRANITE IN GA IMEJTE VEDNO PRI ROKI.**


## **1. OPIS**

Ta serija grelnikov toplega zraka je še posebej primerna za prostore ali lokale srednjih ali velikih dimenzij.

Grelniki s posrednim ogrevanjem (SL. 1), zahvaljujoč toplotnemu izmenjevalniku, omogočajo ločevanje zgorevalnih plinov od zraka iz okolja. Tako je mogoče, da v prostor, ki ga želite ogrevati, oddajajo čist topel zrak in izpuščajo dimne pline ven.

Ti grelniki toplega zraka so bili zasnovani glede na najsodobnejše kriterije varnosti, funkcionalnosti in dolge življenjske dobe. Varnostne naprave vedno zagotavljajo pravilno delovanje grelnika.

## **2. INFORMACIJE O VARNOSTI OPOZORILA**

 **POMEMBNO:** Te naprave naj ne uporabljajo osebe z zmanjšanimi fizičnimi, in senzoričnimi sposobnostmi (vključno z otroki) oziroma s premalo izkušnjami ali znanja, razen če jih pri tem nadzoruje ali usmerja oseba, zadolžena za njihovo varnost. Otroke je treba imeti pod nadzorom, da se z napravo ne bi igrali.

 **NEVARNOST:** Vdihavanje ogljikovega dioksida je lahko smrtno nevarno.

Prvi znaki zastrupitve z ogljikovim monoksidom so podobni znakom gripe, z glavobolom, vrtoglavico in/ali slabostjo. Ti znaki so lahko posledica nepravilnega delovanja kotla. **PRI OMENJENIH ZNAKIH TAKOJ POJDITE NA SVEŽI ZRAK** in se obrnite na servisno osebje zaradi popravila kotla.

### **▶▶ 2.1. POLNJENJE:**

- ▶ 2.1.1. Osebe, zadolžene za polnjenje grelnikov, mora biti kvalificirano in popolnoma obvladati navodila proizvajalca ter veljavne predpise, ki se nanašajo na varno polnjenje grelnikov.
- ▶ 2.1.2. Uporabljajte izključno tip goriva, ki je specificiran na identifikacijski tablici grelnika.

- ▶ 2.1.3. Preden izvršite polnjenje, ugasnite grelnik in počakajte, da se ohladi.
- ▶ 2.1.4. Cisterne za shranjevanje goriva morajo biti postavljene v ločeni strukturi.
- ▶ 2.1.5. Vsi rezervoarji za gorivo se morajo nahajati na minimalni varnostni razdalji od grelnika, določeni z veljavnimi pravili.
- ▶ 2.1.6. Gorivo je potrebno shranjevati v prostorih, kjer talna obloga ne dopušča penetracije ali kapljanje goriva na plamene, ki se nahajajo spodaj, saj lahko pride do vžiga.
- ▶ 2.1.7. Shranjevanje mora biti izvršeno glede na veljavne predpise.

### **▶▶ 2.2. VARNOST:**

- ▶ 2.2.1. Grelnika nikoli ne uporabljajte v prostorih, kjer je prisoten bencin, topila za lake ali druge pare, ki so zelo vnetljive.
- ▶ 2.2.2. Pri uporabi grelnika spoštujte vse lokalne predpise in veljavno zakonodajo.
- ▶ 2.2.3. Grelniki, ki se nahajajo blizu ponjav, pregrinjaj ali drugih podobnih prekrivnih materialov, morajo biti na varni razdalji od le-teh. Priporočena uporaba ognjevarnih materialov.
- ▶ 2.2.4. Uporabljajte le v dobro zračenih prostorih. Predvidite odprtine za dovod zunanjega zraka v skladu z veljavnimi predpisi.
- ▶ 2.2.5. Grelnik je potrebno priključiti na električno napajalno omrežje s takšnimi specifikami napetosti in frekvence, kot so navedene na identifikacijski tablici.
- ▶ 2.2.6. Uporabite podaljške, ki so ustrezno ozemljeni.
- ▶ 2.2.7. Minimalne priporočene varnostne razdalje med grelnikom in vnetljivimi snovmi so: sprednji izhod = 2,5 m; ob strani, zgoraj in zadaj = 1,5 m.
- ▶ 2.2.8. Vroč ali delujoč grelnik je potrebno postaviti na stabilno in ravno podlago, ter se tako izogniti tveganju požara.
- ▶ 2.2.9. Živalise mora držati na varni razdalji od grelnika.
- ▶ 2.2.10. Ko grelnika ne uporabljate, ga izključite iz omrežja.
- ▶ 2.2.11. Ko je grelnik kontroliran preko termostata, se lahko kadarkoli prižge.

- ▶ 2.2.12. Grelnika nikoli ne uporabljajte v sobah, kjer pogosto bivate ali v spalnicah.
- ▶ 2.2.13. Nikoli ne blokirajte vhoda za zrak in izhoda zraka (sprednji del) grelnika.
- ▶ 2.2.14. Ko je grelnik vroč ali priključen na električno omrežje, ali delujoč, ga ne smete nikoli premikati, polniti niti na njem izvrševati nobenega vzdrževalnega posega.
- ▶ 2.2.15. Izogibajte se kanaliziranju zraka na vhodu/izhodu razen z originalnim kompletom (kjer je predvideno).
- ▶ 2.2.16. Ohranite varno razdaljo med vnetljivimi ali termolabilnimi materiali (vključno z napajalnim kablom) in grelnikom.
- ▶ 2.2.17. Če je napajalni kabel poškodovan, ga mora zamenjati servisni center, tako da se izognete vsakemu tveganju.

### **3. ODSTRANJEVANJE EMBALAŽE**

**OPOZORILO:** Embalaža ni igrača za otroke. Plastično embalažo shranjujte izven dosega otrok; nevarnost zadušitve!

- ▶ 3.1. Odstranite vso embalažo, uporabljeno za pakiranje in prevoz grelnika. Uničite jo glede na veljavne predpise.
- ▶ 3.2. V primeru, da se grelnik nahaja na podstavku (paleti), ga previdno spustite.
- ▶ 3.3. Preverite, da se med prevozom ni poškodoval. Če opazite, da je poškodovan, takoj obvestite koncesionarja, kjer ste ga kupili.

### **4. SESTAVLJANJE**

Ti grelniki so opremljeni s kolesi, ročaji in kaminom glede na različne modele (SL. 2). Te komponente, skupaj z ustreznimi vijaki za namestitvev, se nahajajo v embalaži.

### **5. GORIVO**

**OPOZORILO:** Grelnik deluje le na DIZEL ali KEROZIN.

Uporabite le dizel ali kerozin ter se tako izognite tveganjem za nastanek eksplozije. Nikoli ne uporabljajte bencina, topil za lake, alkohola ali drugih goriv, ki so zelo vnetljivi.

V primeru zelo nizkih temperatur uporabite nestrupena sredstva proti zmrzovanju.

Svetujemo uporabo zimskega goriva pri temperaturah pod 5°C.

## **6. PRINCIPI DELOVANJA**

**A.** Zgorevalna komora in glava **B.** Ventilator, **C.** Motor, **D.** Črpalka, **E.** Rezervoar, **F.** Kamin.

Črpalka vleče gorivo iz rezervoarja in ga spravi v delovni pritisk. Gorivo pride do šobe, ki ga razprši v zgorevalno komoro. Zgorevanje se zgodi s pomočjo mešanice zraka/goriva in njegovi produkti so s pretokom, ki ga generira ventilator, potisnjeni navzven. Pri modelih z neposrednim ogrevanjem se produkti zgorevanja odvajajo v ogrevan prostor, pri modelih s posrednim ogrevanjem, pa produkti izhajajo v zunanje okolje, s pomočjo kanalov. Vrsta senzorjev, ki je povezana z elektronsko kontrolno kartico, nenehno preverja pravilno delovanje grelnika, in v primeru anomalij ustavi cikel delovanja.

## **7. DELOVANJE**

**OPOZORILO:** Pozorno preberite "INFORMACIJE O VARNOSTI", preden prižgete grelnik.

### **▶▶ 7.1. VKLOP GRELNIKA:**

- ▶ 7.1.1. Upoštevajte vsa varnostna navodila.
- ▶ 7.1.2. Preverite, da se v rezervoarju nahaja gorivo.
- ▶ 7.1.3. Zaprite pokrov rezervoarja (SL. 3).
- ▶ 7.1.4. Povežite vtičnico z električnim omrežjem (SL. 4) (GLEJTE VREDNOST NAPETOSTI V TABELI „TEHNIČNI PODATKI“).
- ▶ 7.1.5. Prestavite stikalo za vklop v položaj „PLAMEN“ (A SL. 5). Grelnik se mora prižgati v nekaj sekundah. Če se grelnik ne prižge, pogledajte v odstavek „12 IDENTIFIKACIJA TEŽAVE“.
- ▶ 7.1.6. Da bi dosegli maksimalno moč, pomaknite močnostno stikalo v položaj „DVOJNI PLAMEN“ (B SL. 5).
- ▶ 7.1.7. Grelnik se lahko uporablja tudi v načinu ventilacija, za aktiviranje te funkcije pomaknite stikalo za vklop v položaj „VENTILATOR“ (A SL. 5).
- ▶ 7.1.8. Pri modelih s termostatom okolja pogledajte nastavljeno temperaturo (SL. 6).

**OPOMBA: V PRIMERU, DA GRELNİK UGASNE ZARADI POMANJKANJE GORIVA, DOLIJE GORIVO V REZERVOAR IN PONAŠTAVITE GRELNİK (GLEJ ODS. 7.2.).**



**POMEMBNO:** Pri modelih s posrednim ogrevanjem so lahko produkti izgorevanja kanalizirani znotraj. **IZVRŠITE KANALIZIRANJE GLEDE NA VELJAVNO ZAKONODAJO IN UPOŠTEVAJTE INDIKACIJE, KI SE NAHAJAJO V USTREZNI SEKCIJI PRIROČNIKA.**

### ►► 7.2. PONASTAVITEV GREJNIKA:

V primeru, da pride do anomalije v običajnem delovanju, se grelnik blokira. Ko se gumb za reset pojavi prižgan z neprekinjeno rdečo lučko (SL. 7) pomeni, da je potrebno grelnik ponastaviti. Za ponastavitev pritisnite do konca gumb za reset (SL. 8). Preden ponovno zaženete grelnik, morate identificirati in odpraviti vzrok, ki je napravo blokiral (na primer ovira pri vходу za zrak in/ali dovod zraka, ustavitev ventilatorja, itd.). V primeru, da ne morete odpraviti vzroka blokade grelnika, kontaktirajte servisni center.

### ►► 7.3. UGAŠANJE GREJNIKA:

Naravnajte stikalo „I/O“ v položaj „0“ (A SL. 5). Plamen ugasne, ventilator pa nadaljuje z delovanjem do popolne ohladitve komore za izgorevanje. **Ne prekinite povezave dokler se cikel ohlajanja ne zaključi.**

## 8. ČIŠČENJE FILTROV

**GLEDE NA KVALITETO GORIVA, KI JE V UPORABI, SE LAHKO POJAVI POTREBA PO ČIŠČENJU FILTROV:**

### ►► 8.1. FILTER POLNJENJA (SL. 9):

- 8.1.1. Odstranite čep (A) rezervoarja
- 8.1.2. Izvlecite filter (B) iz rezervoarja.
- 8.1.3. Očistite filter (B) s čistim gorivom, bodite previdni, da ga ne poškodujete.
- 8.1.4. Ponovno namestite filter (B) v rezervoar.
- 8.1.5. Zaprite čep (A).

### ►► 8.2. FILTER ODSESAVANJA (SL. 10) GLEDE NA MODEL:

- 8.2.1. Odstranite posodico (A).
- 8.2.2. Izvlecite filter (B) iz posodice, bodite previdni, da ne poškodujete tesnil.
- 8.2.3. Očistite filter (B) s čistim gorivom, bodite previdni, da ga ne poškodujete.
- 8.2.4. Ponovno namestite filter (B) v posodico.
- 8.2.5. Ponovno namestite posodico (A) in bodite previdni, da pravilno namestite tesnila.

### ►► 8.3. FILTER ČRPALKE ZA GORIVO:

Poglejte preventivni program za vzdrževanje.

## 9. SHRANJEVANJE IN PREVOZ

**OPOZORILO:** Pred prestavljanjem grelnika, je potrebno grelnik izključiti (GLEJ ODST. 7.3.), prekiniti električno napajanje, ter izvleči vtič iz vtičnice (SL. 11), počakatina popolno ohladitev grelnika in se prepričati, da je čep rezervoarja dobro zaprt, ter tako preprečiti puščanje goriva. Pri premikanju grelnika, je treba slednjega držati v ravni poziciji.

### ZA USTREZNO SHRANJEVANJE GREJNIKA JE POTREBNO SLEDITI NASLEDNJEMU POSTOPKU:

- 9.1. Izpraznite gorivo iz rezervoarja tako, da odstranite čep na dnu rezervoarja (SL. 12). Odstranite gorivo na ustrezn način glede na veljavne predpise.
- 9.2. Če so vidni ostanki, v rezervoar nalijte čisto gorivo in ga ponovno izpraznite.
- 9.3. Zaprite čep za odtok goriva iz rezervoarja.
- 9.4. Za kar najboljše shranjevanje grelnika svetujemo, da ga namestite na suhem mestu, zaščitenega pred zunanjimi dejavniki.

## 10. POVEZAVA S TERMOSTATOM

Pri modelih, ki imajo predispozicijo za povezavo s termostatom, odstranite čep, povezan z grelnikom in povežite termostat (opsijsko) (SL. 13-14).



**OPOZORILO: PREDEN IZVRŠITE KATERIKOLI VZDRŽEVALNI POSEG ALI POPRAVILO, IZKLJUČITE NAPAVALNI KABEL IZ ELEKTRIČNEGA OMREŽJA IN SE PREPRIČAJTE, DA JE GRELNIK HLADEN.**

## 11. PREVENTIVNI PROGRAM VZDRŽEVANJA

KOMPONENTA	FREKVENCA VZDRŽEVANJA	POSTOPEK VZDRŽEVANJA
Rezervoar za gorivo	Očistite enkrat letno ali po potrebi	Izpraznite in sperite s čistim gorivom (GLEJ ODST. 9.)
Filtri	Očistite ali zamenjajte enkrat letno oz. po potrebi (preverite nepoškodovanost)	Čiščenje filtrov (GLEJ ODST. 8.)
Filter črpalke za gorivo	Očistite ali zamenjajte enkrat letno oz. po potrebi (preverite nepoškodovanost)	Obrnite se na servisni center
Elektrode	Očistite po potrebi	Obrnite se na servisni center
Ventilator	Očistite po potrebi	Obrnite se na servisni center
Zgorevalna komora	Očistite po potrebi	Obrnite se na servisni center

## 12. IDENTIFIKACIJA TEŽAVE

TEŽAVA	MOŽEN VZROK	MOŽNA REŠITEV
Grelnik se ne zažene ali ne ostane vključen	<ol style="list-style-type: none"> <li>1. Stikalo je v položaju "0"</li> <li>2. Ni napajanja</li> <li>3. Ovira na napajalnem kablu</li> <li>4. Elektronika je blokirana ali okvarjena</li> <li>5. Napačna nastavitve termostata (kjer je prisoten)</li> <li>6. Pomanjkanje goriva</li> <li>7. Prisotnost tujih snovi v sistemu za gorivo</li> </ol>	<ol style="list-style-type: none"> <li>1. Prestavite stikalo za vklop v položaj „PLAMEN“ (A SL. 5)</li> <li>2a. Napajalni kabel pravilno vstavite v vtičnico električnega omrežja (SL. 4)</li> <li>2b. Preverite napetost vašega omrežja</li> <li>3. Obrnite se na servisni center</li> <li>4a. Ponastavite grelnik (GLEJ ODST. 7.2.)</li> <li>4b. Obrnite se na servisni center</li> <li>5. Naravnajte termostat, nastavite višjo temperaturo, kot je v prostoru (SL. 6)</li> <li>6. Dolijte gorivo in po potrebi ponastavite grelnik</li> <li>7a. Izpraznite in napolnite s čistim gorivom (GLEJ ODST. 9.)</li> <li>7b. Očistite filtre (GLEJ ODST. 8.)</li> <li>7c. Obrnite se na servisni center</li> </ol>
Grelnik med delovanjem ustvarja dim	<ol style="list-style-type: none"> <li>1. Prisotnost tujih snovi v sistemu za gorivo</li> <li>2. Ovira na vhodu zraka</li> <li>3. Dovod zraka ni pravilen</li> </ol>	<ol style="list-style-type: none"> <li>1a. Izpraznite rezervoar in napolnite s čistim gorivom (GLEJ ODST. 9.)</li> <li>1b. Očistite filtre (GLEJ ODST. 8.)</li> <li>1c. Obrnite se na servisni center</li> <li>2. Odstranite morebitne ovire z dovoda za zrak</li> <li>3. Nastavite loputo za zrak, nahajajočo se pod ventilatorjem v zadnjem delu grelnika (na levo se loputa zapre, na desno pa odpre)</li> </ol>
Grelnik se ne ugasne	<ol style="list-style-type: none"> <li>1. Elektronika okvarjena</li> </ol>	<ol style="list-style-type: none"> <li>1. Obrnite se na servisni center</li> </ol>

**ÖNEMLİ: BU KILAVUZU, ISITICININ BİRLEŞTİRİLMESİ, ÇALIŞTIRILMASI VEYA BAKIMINDAN ÖNCE OKUYUN VE ANLAYIN. ISITICININ HATALI KULLANIMI AĞIR VE ÖLÜMCÜL YARALANMALARA NEDEN OLABİLİR. BU KILAVUZU İLERİDE DANIŞMAK İÇİN MUHAFAZA EDİN.**

## **1. TANIMLAMA**

Bu sıcak hava ısıtıcıları serisi, özellikle orta ve büyük boyutlara sahip alanlar veya lokallerin ısıtılmasında kullanılır.

Dolaylı ısıtmalı ısıtıcılar (ŞEK. 1), bir ısı eşanjörü sayesinde yanma gazını ortama verilen sıcak havadan ayırmayı sağlarlar. Bu şekilde, temiz sıcak hava akımını ısıtılacak alana yaymak ve tahliye dumanlarını dışarı yönlendirmek mümkündür.

Bu sıcak hava ısıtıcıları en modern emniyet, işlevsellik ve kullanım ömrü kriterlerine göre tasarlanmıştır. Emniyet cihazları, ısıtıcının doğru işleyişini daima garantilerler.

## **2. GÜVENLİK HAKKINDA BİLGİLER UYARILAR**

**!** **ÖNEMLİ:** Bu cihaz, güvenliklerinden sorumlu bir kişinin gözetimi altında olmaksızın düşük fiziksel, zihinsel ve algılama kapasiteli veya uzman olmayan kişilerin (küçük çocuklar dahil) kullanımına uygun değildir. Küçük çocuklar cihazla oynamadıklarından emin olmak için kontrol edilmelidir.

**!** **TEHLİKE:** Karbonmonoksit solumak ölümcül olabilir.

Karbonmonoksit zehirlenmesinin ilk belirtileri baş ağrısı, baş dönmesi ve/ya mide bulantısı ile soğuk algınlığına benzer. Bu belirtiler ısıtıcının kusurlu işleyişinden kaynaklanmış olabilir. **BU BELİRTİLERİN GÖRÜLMESİ HALİNDE DERHAL AÇIK ALANA ÇIKIN** ve ısıtıcıyı teknik servis merkezi tamir ettirin.

### **▶▶ 2.1. YAKIT İKMALİ:**

- ▶ 2.1.1. Yakıt ikmalinden sorumlu personel, uzman olmalı ve üreticinin talimatları ve ısıtıcıların güvenli dolumu hakkındaki geçerli talimatlar ile tam bilgiye sahip olmalıdır.
- ▶ 2.1.2. Yalnızca ısıtıcının tanıtıcı plakasında açıkça belirtilen yakıt tipini kullanın.
- ▶ 2.1.3. Yakıt ikmalinden önce ısıtıcıyı kapatın ve soğumasını bekleyin.

- ▶ 2.1.4. Yakıt depolama tankları ayrı bir binada bulunmalıdır.
- ▶ 2.1.5. Tüm yakıt depoları, yürürlükteki düzenlemeler doğrultusunda, ısıtıcıdan asgari güvenlik mesafesinde bulunmalıdır.
- ▶ 2.1.6. Yakıt, ateşlemeye sebep olabileceğinden altındaki alevler üzerine damlama ve sızıntı yapmayacak bir zemine sahip lokallerde saklanır.
- ▶ 2.1.7. Yakıt muhafazası yürürlükteki düzenlemelere uyumlulukla yapılmalıdır.
- ▶▶ **2.2. GÜVENLİK:**
- ▶ 2.2.1. Isıtıcıları asla benzin, vernik için çözücüler veya yüksek yanıcılıkta diğer buharların olduğu yerlerde asla kullanmayın.
- ▶ 2.2.2. Isıtıcının kullanımı sırasında tüm yerel emirler ve geçerli düzenlemelere uyun.
- ▶ 2.2.3. Perde, örtü veya diğer kaplama benzeri materyallerin yakınında kullanılan ısıtıcılar, bunlar ile arasında güvenlik mesafesi bırakılarak yerleştirilmelidir. Yanmaz türde örtü materyali kullanılması da tavsiye edilir.
- ▶ 2.2.4. Yalnız iyi havalandırılmış alanlarda kullanın. Dışarıdan temiz hava alabilmek amacıyla geçerli düzenlemeler doğrultusunda uygun bir aralık hazırlayın.
- ▶ 2.2.5. Isıtıcıyı yalnızca, tanıtıcı plaka üzerinde belirtilen gerilim ve frekansa sahip akım ile besleyin.
- ▶ 2.2.6. Yalnız toprak bağlantısı olan uzatmalar kullanın.
- ▶ 2.2.7. Isıtıcı ve yanıcı maddeler arasında tavsiye edilen asgari güvenlik mesafeleri: ön çıkış = 2,5 m; kenarda, yukarıda ve arkada = 1,5 m.
- ▶ 2.2.8. Sıcak veya çalışan ısıtıcıyı, yangın risklerini önlemek için dengeli ve düz bir zemine yerleştirin.
- ▶ 2.2.9. Hayvanları ısıtıcıdan güvenlik mesafesinde tutun.
- ▶ 2.2.10. Kullanılmadığı zaman, ısıtıcıyı şebeke prizinden ayırın.
- ▶ 2.2.11. Isıtıcı, bir termostat tarafından kontrol edildiğinde herhangi bir anda çalışabilir.

- ▶ **2.2.12. Isıtıcıyı sıklıkla ikamet edilen odalar veya yatak odalarında asla kullanmayın.**
- ▶ **2.2.13. Isıtıcının hava girişi ve hava çıkışı (ön taraf) asla kapatmayın.**
- ▶ **2.2.14. Isıtıcı sıcakken veya elektrik şebekesine bağlıyken ya da çalışır haldeyken asla yeri değiştirilmemeli, kurcalanmamalı veya hiçbir bakım operasyonuna tabii tutulmamalıdır.**
- ▶ **2.2.15. Orijinal olmayan kitler (öngörülmemiş) ile hava girişi ve/ya çıkışı kanalizasyonla bağlanmamalıdır.**
- ▶ **2.2.16. Yanıcı veya sıcaktan etkilenen (elektrik kablosu dahil) kısımları ısıtıcının sıcak kısımlarından uygun bir mesafede tutun.**
- ▶ **2.2.17. Eğer elektrik kablosu hasar görmüşse, her türlü riskin önüne geçilmesi için teknik servis merkezi tarafından değiştirilmelidir.**

### **3. AMBALAJDAN ÇIKARMA**

**UYARI: Ambalaj malzemesi çocuklar için bir oyuncak değildir. Plastik torbayı çocukların ulaşabileceği yerlerden uzak tutun; boğulma tehlikesi!**

- ▶ **3.1. Isıtıcının paketlenmesi ve kargolanması için kullanılmış tüm ambalaj malzemelerini kaldırın. Geçerli düzenlemelere göre bunları imha edin.**
- ▶ **3.2. Eğer ısıtıcı platform üzerinde duruyorsa, nazikçe indirin.**
- ▶ **3.3. Nakliye sırasında hasar görüp görmediğini kontrol edin. Eğer ısıtıcı hasarlı görünüyorsa, derhal satın alındığı acentayı bilgilendirin.**

### **4. MONTAJ**

Bu ısıtıcılar tekerlek, kulp ve modele göre boru ile donatılmıştır (ŞEK. 2). Bu aksamlar, ilgili montaj somunlar ve civatalar ile tamamlanmıştır ve bunlar ısıtıcı ambalajına konulmuştur.

### **5. YAKIT**

**UYARI: Jeneratör yalnız DİZEL veya KEROSEN ile çalışır.**

Yangın veya patlama risklerini önlemek için yalnız dizel veya kerosen kullanın. Asla benzin, petrol, vernikler için çözücüler, alkol veya diğer yüksek yanıcılık özelliğine sahip yakıtları kullanmayın.

Çok düşük ısılarda zehirli olmayan antifriz katkıları kullanın.

Kışlık mazotun 5°C'nin altında kullanılması tavsiye edilir.

## **6. İŞLEYİŞ PRENSİPLERİ**

**A. Yanma odası ve kafası, B. Fan, C. Motor, D. Pompa, E. Depo, F. Baca.**

Pompa yakıtı depodan çekerek çalışma basıncına getirir. Yakıt, onu yanma odasına püskürten memeye götürülür. Yanma bir hava/ yakıt karışımı aracılığı ile gerçekleşir ve bunun ürünleri fan dönüşü ile yaratılan hava akımı vasıtası ile dışarı itilir. Doğrudan modellerde yanma ürünler ısıtılan ortama verilirken, dolaylı modellerde yanma ürünleri, kanalizasyon aracılığı ısıtılan ortamın dışına ile sürülür. Bir elektronik kontrol kartına bağlı bir dizi sensör, düzenli olarak ısıtıcının doğru işleyişini kontrol eder ve anormallik durumunda devri kapatır.

## **7. İŞLEYİŞ**

**UYARI: Isıtıcıyı çalıştırmadan önce "GÜVENLİK ÜZERİNE BİLGİLER" bölümünü dikkatle okuyun.**

- ▶▶ **7.1. ISITICININ ÇALIŞTIRILMASI:**
- ▶ **7.1.1. Güvenliğe ilişkin tüm talimatları izleyin.**
- ▶ **7.1.2. Depoda yakıt mevcudiyetini kontrol edin.**
- ▶ **7.1.3. Deponun kapağını kapatın (ŞEK. 3).**
- ▶ **7.1.4. Elektrik fişini hat prizine takın (ŞEK. 4) (GERİLİM İÇİN "TEKNİK VERİLER TABLOSUNA" BAKINIZ).**
- ▶ **7.1.5. Açma düğmesini "ALEV" konumuna getirin (A ŞEK. 5). Isıtıcı birkaç saniye içinde çalışacaktır. Eğer ısıtıcı çalışmaz ise, bu paragrafa danışın "12. PROBLEMİN SAPTANMASI".**
- ▶ **7.1.6. Maksimum güç elde etmek için güç selektörünü "ÇİFT ALEV" konumuna getirin (B ŞEK. 5).**
- ▶ **7.1.7. Isıtıcı fan modunda kullanılabilir, bu fonksiyonu etkinleştirmek için açma düğmesini "FAN" konumuna getirin (A ŞEK. 5).**
- ▶ **7.1.8. Oda termostatlı modeller için ayarlanmış ısıyı kontrol edin (ŞEK. 6).**

**NOT: YAKIT TÜKENMESİNE BAĞLI ISITICI KAPANIŞI DURUMUNDA DEPOYU DOLDURUN VE ISITICIYI RESETLEYİN (BAKIN PARAG. 7.2).**

**ÖNEMLİ:** Dolaylı modellerde yakıt ürünleri dışarıya kanalize edilebilir. **KANALİZASYONU GEÇERLİ DÜZENLEMELERE GÖRE YAPIN VE İŞBU KILAVUZUN İLGİLİ BÖLÜMÜNDE YAZAN TALİMATLARA UYUN.**

### ►► 7.2. ISITICININ RESETLENMESİ:

Normal işleyişte bir anormallik görülmesi durumunda ısıtıcı bloke olur. Reset düğmesi fasılasız kırmızı ışık yanmış olarak belirdiğinde (ŞEK. 7), ısıtıcının resetlenmesi gerektiği anlamını taşır. Isıtıcıyı resetlemek için reset düğmesine sonuna kadar basın (ŞEK. 8). Isıtıcıyı tekrar çalıştırmadan önce, bloğu yaratan sebep bulunmalı ve ortadan kaldırılmalıdır (örneğin, girişte hava prizi ve/ya hava tahliyesi tıkanıklığı, fan durması, vs.). Bloğu yaratan problemin giderilememesi halinde, teknik servis merkezinin müdahalesini isteyin.

### ►► 7.3. ISITICININ KAPATILMASI:

"I/O" düğmesini "0" konumuna getirin (A ŞEK. 5). Alev söner ve fan yanma odası tamamen soğutulana kadar çalışmaya devam eder. **Soğutma devri tamamlanıncaya kadar prizden çıkarmayın.**

## **8. FİLTRELERİN TEMİZLENMESİ**

**KULLANILAN YAKIT KALİTESİNE GÖRE DEPO FİLTRESİNİN TEMİZLENMESİ GEREKLİ OLABİLİR:**

### ►► 8.1. YÜKLEME FİLTRESİ (ŞEK. 9):

- 8.1.1. Deponun kapağını (A) kaldırın.
- 8.1.2. Filtreyi (B) depodan çıkarın.
- 8.1.3. Hasar vermemeye dikkat ederek temiz yakıt ile filtreyi (B) temizleyin.
- 8.1.4. Deponun filtesini (B) yerine monte edin.
- 8.1.5. Kapağı (A) takın.

### ►► 8.2. ASPİRASYON FİLTRESİ, (ŞEK. 10) MODELE GÖRE:

- 8.2.1. Bardağı (A) kaldırın.
- 8.2.2. Contaları özenle korumaya dikkat ederek filtreyi (B) bardaktan çıkarın.
- 8.2.3. Hasar vermemeye dikkat ederek temiz yakıt ile filtreyi (B) temizleyin.
- 8.2.4. Filteyi (B) bardağa monte edin.
- 8.2.5. Contaları doğru şekilde montelemeye dikkat ederek bardağı (A) yeniden monte edin.

### ►► 8.3. YAKIT POMPA FİLTRESİ:

Önlemsel bakım programına bakınız.

## **9. SAKLAMA VE NAKİL**

**UYARI:** Hertürlü taşıma işleminden önce ısıtıcı kapatılmalıdır (BAKINIZ PARAG. 7.3.) fişi elektrik prizinden çekerek elektrik kesilmelidir (ŞEK. 11), ısıtıcının tam soğumasını bekleyin ve yakıtın dışarı akmasını engellemek için depo kapağının iyice kapalı olduğundan emin olun. Isıtıcı hareket ettirildiğinde onu düz pozisyonda tutun.

### **ISITICIYI DAHA İYİ SAKLAMAK İÇİN AŞAĞIDAKİ PROSEDÜRÜN İZLENMESİ TAVSİYE EDİLİR:**

- 9.1. Depo altındaki tahliye kapağını kaldırarak yakıt deposunu boşaltın (ŞEK. 12). Yakıtı, geçerli düzenlemelere uygun şekilde imha edin.
- 9.2. Artıkların mevcudiyeti fark edilirse, depoya temiz yakıt doldurun ve yeniden boşaltın.
- 9.3. Tahliye ve depo kapaklarını kapatın.
- 9.4. Isıtıcının daha iyi saklanması için, kuru ve olası dış hasarlardan korunaklı bir yere koyun.

## **10. ODA TERMOSTATI BAĞLANTISI**

Termostat bağlantısı hazırlıklı modellerde, ısıtıcıya bağlı kapağı kaldırın ve oda termostatını (opsiyonel) bağlayın (ŞEK. 13-14).

**UYARI: HERHANGİ BİR BAKIM VEYA TAMİR YAPMADAN ÖNCE ELEKTRİK KABLOSUNU ELEKTRİK ŞEBEKESİNDEN ÇIKARIN VE ISITICININ SOĞUDUĞUNDAN EMİN OLUN.**

## **11. ÖNLEYİCİ BAKIM PROGRAMI**

<b>AKSAM</b>	<b>BAKIM SIKLIĞI</b>	<b>BAKIM PROSEDÜRÜ</b>
Yakıt deposu	Senede bir kez veya ihtiyaca göre temizleyin	Depoyu boşaltın ve temiz yakıt ile çalkalayın (BAKIN PARAG. 9.)
Filtreler	Senede bir kez veya ihtiyaca göre temizleyin veya değiştirin (sağlamlığını kontrol edin)	Filtreleri temizleyin (BAKINIZ PARAG. 8.)
Yakıt pompa filtresi	Senede bir kez veya ihtiyaca göre temizleyin veya değiştirin (sağlamlığını kontrol edin)	Teknik servis merkezine başvurun
Elektrotlar	İhtiyaca göre temizleyin	Teknik servis merkezine başvurun
Fan	İhtiyaca göre temizleyin	Teknik servis merkezine başvurun
Yanma odası	İhtiyaca göre temizleyin	Teknik servis merkezine başvurun

## **12. PROBLEMİN SAPTANMASI**

<b>PROBLEM</b>	<b>OLASI NEDEN</b>	<b>OLASI ÇÖZÜM</b>
Isıtıcı çalışmıyor veya çalışır kalmıyor	<ol style="list-style-type: none"><li>Açma düğmesi "0" konumunda</li><li>Elektrik yok</li><li>Elektrik kablosu çıkmış</li><li>Elektronik kontrol bloke oldu veya kusurlu</li><li>Oda termostatının hatalı ayarı (mevcut ise)</li><li>Yakıt yok</li><li>Yanma devresinde yabancı maddelerin mevcudiyeti</li></ol>	<ol style="list-style-type: none"><li>Açma düğmesini "ALEV" konumuna getirin (A ŞEK. 5)</li><li>2a. Elektrik kablosunu elektrik şebekesine doğru şekilde bağlayın (ŞEK. 4)</li><li>2b. Tesisatınızın doğru gerilimini kontrol edin</li><li>3. Teknik servis merkezine başvurun</li><li>4a. Isıtıcıyı resetleyin (BAKIN PARAG. 7.2.)</li><li>4b. Teknik servis merkezine başvurun</li><li>5. Oda termostatının sıcaklığını çalışma ortamınıninkinden daha yüksek bir sıcaklığa getirin (ŞEK. 6)</li><li>6. Yakıt doldurun ve gerekirse ısıtıcıyı resetleyin</li><li>7a. Depoyu boşaltın ve temiz yakıt ile çalkalayın (BAKIN PARAG. 9.)</li><li>7b. Filtreleri temizleyin (BAKINIZ PARAG. 8.)</li><li>7c. Teknik servis merkezine başvurun</li></ol>
Isıtıcı işleyişi sırasında duman üretiyor	<ol style="list-style-type: none"><li>Yanma devresinde yabancı maddelerin mevcudiyeti</li><li>Hava prizi girişi tıkanıklığı</li><li>Hava oranı doğru değil</li></ol>	<ol style="list-style-type: none"><li>1a. Depoyu boşaltın ve temiz yakıt ile çalkalayın (BAKIN PARAG. 9.)</li><li>1b. Filtreleri temizleyin (BAKINIZ PARAG. 8.)</li><li>1c. Teknik servis merkezine başvurun</li><li>2. Hava prizinden tüm olası tıkanıklıkları temizleyin</li><li>3. Isıtıcının üst kısmında fan altına yerleştirilmiş hava sürgüsünü ayarlayın (sürgü sola doğru kapanır, sağa doğru açılır)</li></ol>
Isıtıcı kapanmıyor	<ol style="list-style-type: none"><li>Elektronik kusurlu</li></ol>	<ol style="list-style-type: none"><li>1. Teknik servis merkezine başvurun</li></ol>



**VAŽNO: PROČITAJTE I SHVATITE OVAJ RADNI PRIRUČNIK PRIJE NEGO ŠTO OBAVITE SASTAVLJANJE, PUŠTANJE U RAD ILI ODRŽAVANJE OVOG GRIJAČA. POGREŠNA UPORABA GRIJAČA MOŽE DOVESTI DO TEŠKIH ILI SMRTONOSNIH POVREDA. ČUVAJTE OVAJ PRIRUČNIK KAKO BISTE GA MOGLI U BUDUĆNOSTI KONZULTIRATI.**


## **1. OPIS**


Ova serija grijača toplog zraka je posebice prikladna za zagrijavanje prostorija ili prostora srednjih ili većih dimenzija.

Grijači s neizravnim zagrijavanjem (SL. 1) zahvaljujući izmjenjivaču topline omogućuju odvajanje plina izgaranja od toplog zraka u prostoru. Na taj je način moguće ispustiti topli čisti zrak u prostor koji se zagrijava te sprovesti u vanjski prostor ispušne dimove.

Ovi grijači toplog zraka su dizajnirani u skladu s najmodernijim sigurnosnim kriterijima te propisima o funkcionalnosti i trajnosti. Sigurnosni uređaji uvijek jamče pravilan rad grijača.

## **2. INFORMACIJE O SIGURNOSTI UPOZORENJA**

 **VAŽNO:** Ovaj aparat ne smiju koristiti osobe (uključujući i djecu) koje imaju smanjene tjelesne, osjetilne i mentalne sposobnosti osim u slučaju da ih nadgleda osoba odgovorna za njihovu sigurnost. Morate kontrolirati djecu kako se ne bi igrala s aparatom.

 **OPASNOST:** Gušenje ugljičnim monoksidom može biti smrtonosno.

Prvi simptomi gušenja ugljičnim monoksidom slične onima gripe, s glavoboljom, vrtoglavicom i/ili mučninom. Takve simptome može uzrokovati nepravilan rad grijača. U SLUČAJU POJAVE OVIH SIMPTOMA, ODMAH IZAĐITE NA OTVORENI PROSTOR i popravite grijač u servisnoj službi.

### **▶▶ 2.1. OPSKRBA:**

- ▶ 2.1.1. Osoblje zaduženo za opskrbu mora biti kvalificirano i u potpunosti upoznato s uputama proizvođača te propisima na snazi u odnosu na pravilnu opskrbu grijača.
- ▶ 2.1.2. Koristite isključivo vrstu goriva koja se izričito navodi na identifikacionoj pločici grijača.
- ▶ 2.1.3. Prije nego što opskrbite grijalicu, isključite je i pričekajte da se ohladi.
- ▶ 2.1.4. Spremnici za skladištenje goriva se moraju nalaziti u zasebnom objektu.

- ▶ 2.1.5. Svi se spremnici goriva moraju nalaziti na minimalnoj sigurnosnoj udaljenosti u odnosu na grijač, u skladu sa sigurnosnim propisima.

- ▶ 2.1.6. Gorivo se mora čuvati u prostorijama čiji pod ne dopušta prodiranje ili kapanje istog na plamen ispod podloge, čime bi moglo doći do zapaljenja.

- ▶ 2.1.7. Čuvanje goriva se mora sprovesti u skladu s propisima na snazi.

### **▶▶ 2.2. SIGURNOST:**

- ▶ 2.2.1. Nemojte nikada koristiti grijač u prostorijama u kojima ima benzina, otapala za lakove ili druge visoko zapaljive pare.

- ▶ 2.2.2. Tijekom korištenja grijača, pridržavajte se svih lokalnih i državnih propisa na snazi.

- ▶ 2.2.3. Grijači koji se koriste u blizini cerada, zavjesa ili drugih sličnih materijala za pokrivanje se moraju postaviti na sigurnosnu udaljenost od istih. Savjetujemo vam i da koristite protupožarne materijale za pokrivanje.

- ▶ 2.2.4. Koristite samo u dobro provjetrenim prostorima. Pripremite prikladan otvor u skladu s propisima na snazi u svrhu uvođenja svježeg zraka izvana.

- ▶ 2.2.5. Napajajte grijač samo strujom koja ima napon i frekvenciju navedenu na identifikacionoj pločici.

- ▶ 2.2.6. Koristite isključivo električne kablove i produžetke koji su prikladno uzemljeni.

- ▶ 2.2.7. Minimalne sigurnosne udaljenosti koje se savjetuju između grijača i zapaljivih stvari su: prednji izlaz = 2,5 m; bočno, gore i pozadi = 1,5 m.

- ▶ 2.2.8. Prilikom rada postavite grijač na stabilnu i dobro niveliranu površinu na način da se onemogući rizik od požara.

- ▶ 2.2.9. Držite životinje na sigurnosnoj udaljenosti od grijača.

- ▶ 2.2.10. Iskopčajte grijač iz mrežne utičnice kada ga ne koristite.

- ▶ 2.2.11. Kada termostat kontrolira grijač, on se može uključiti u bilo kojem trenutku.

- ▶ 2.2.12. Nikada ne koristite grijač u prostorijama u kojima se često stanuje, niti u spavaćim sobama.

- ▶ **2.2.13. Nikada ne začepljavajte otvor za zrak niti izlaz za zrak (prednju stranu) grijača.**
- ▶ **2.2.14. Kada je grijač topao ili povezan na električnu mrežu ili dok radi se ne smije nikada pomicati, njime se ne smije rukovati niti obavljati održavanje.**
- ▶ **2.2.15. Izbjegavajte sprovođenje ulaznog i/ili izlaznog zraka korištenjem neoriginalnih kompleta (tamo gdje su predviđeni).**
- ▶ **2.2.16. Održavajte prikladnu udaljenost od zapaljivih materijala ili onih nepostojanih na toplinu (uključujući i kabel za napajanje) od vrućih dijelova grijača.**
- ▶ **2.2.17. Ako je kabel za napajanje oštećen, neka ga zamijeni tehnički servis na način da se spriječi nastajanje bilo kojeg rizika.**

### **3. SKIDANJE AMBALAŽE**

**UPOZORENJE:** Ambalažni materijal nije igračka za djecu. Držite plastičnu vrećicu daleko od dohvata djece; postoji opasnost od gušenja!

- ▶ **3.1.** Odstranite sav ambalažni materijal korišten za pakiranje i slanje grijača. Odložite ga u skladu s propisima na snazi.
- ▶ **3.2.** U slučaju da je grijač postavljen na podignutom mjestu, polagano ga spustite.
- ▶ **3.3.** Provjerite je li došlo do eventualnih oštećenja tijekom prijevoza. Ako je aparat oštećen, odmah obavijestite trgovca kod koje ste ga kupili.

### **4. SASTAVLJANJE**

Ovi su grijači opremljeni kotačima, ručicama i dimnjakom s obzirom na model (SL. 2). Takve komponente, uključujući i odgovarajuće vijke za montažu se nalaze u pakiranju grijača.

### **5. GORIVO**

**UPOZORENJE:** Grijač radi samo na DIZEL ili KEROZIN.

Koristite isključivo dizel ili kerozin kako biste izbjegli opasnost od požara ili eksplozije. Nikada ne koristite benzin, naftu, otapala za lakove, alkohol ili druga visoko zapaljiva goriva.

Koristite netoksična antifriz sredstva u slučaju vrlo niskih temperatura.

Savjetujemo vam korištenje zimskog dizela u slučaju temperatura ispod 5°C.

### **6. PRINCIPI RADA**

**A.** Komora i glava izgaranja, **B.** Ventilator, **C.** Motor, **D.** Pumpa, **E.** Spremnik, **F.** Dimnjak.

Pumpa usisava gorivo iz spremnika i postavlja ga na radni tlak. Gorivo se šalje prskalici koja ga raspršuje u komori za izgaranje. Izgaranje se odvija pomoću mješavine zraka/goriva i njegovi produkti se guraju vani protokom zraka kojeg stvara rotacija ventilatora. Na izravnim modelima produkti izgaranja idu u zagrijani prostor dok na neizravnim modelima produkti izgaranja se mogu sprovesti u vanjski prostor u odnosu na oni zagrijavani i to uz pomoć cijevi. Serija senzora povezana elektronskom karticom kontrole konstantno provjerava pravilan rad grijača te zaustavlja ciklus u slučaju anomalija.

## **7. RAD**

**UPOZORENJE:** Pozorno pročitajte "INFORMACIJE O SIGURNOSTI", prije nego što uključite grijač.

### **▶▶ 7.1. UKLJUČIVANJE GRIJAČA:**

- ▶ **7.1.1.** Pridržavati se uputa iz sigurnosti.
- ▶ **7.1.2.** Provjeriti ima li goriva u spremniku.
- ▶ **7.1.3.** Zatvoriti čep spremnika (SL. 3).
- ▶ **7.1.4.** Ukopčati utikač za napajanje u mrežu energetskog napajanja (SL. 4) (VIDI NAPON U „TABLICI S TEHNIČKIM PODATCIMA”).
- ▶ **7.1.5.** Postaviti prekidač za uključivanje na položaj „PLAMEN“ (A SL. 5). Grijač bi se trebao uključiti u roku od nekoliko sekundi. Ako se grijač ne uključi, pogledati odjeljak „12 ODREĐIVANJE PROBLEMA“.
- ▶ **7.1.6.** Radi postizanja maksimalne snage, postaviti prekidač snage na položaj „DVOSTRUKOG PLAMENA“ (B SL. 5).
- ▶ **7.1.7.** Grijač se može upotrebljavati u načinu ventilacije; za pokretanje ove funkcije, postaviti prekidač za uključivanje na položaj „VENTILATOR“ (A SL. 5).
- ▶ **7.1.8.** Za modele s prostornim termostatom, provjeriti postavljenu temperaturu (SL. 6).

**NAPOMENA: U SLUČAJU ISKLJUČENJA GRIJAČA ZBOG NEDOSTATKA GORIVA, NAPUNITE SPREMNIK I RESETIRAJTE GRIJAČ (VIDI POGL. 7.2.).**

**VAŽNO:** Na neizravnim modelima, produkti izgaranja se mogu sprovesti vani. **OBAVITE CIJEVNO POVEZIVANJE U SKLADU S PROPISIMA NA SNAZI I POŠTUJTE INDIKACIJE NAVEDENE U PRIKLADNOM ODJELJKU PRIRUČNIKA.**

### **▶▶ 7.2. RESETIRANJE GRIJAČA:**

U slučaju da dođe do anomalije u normalnom radu, grijač ide u stanje blokade. Kada je tipka za reset uključena s fiksnim crvenim svjetlom

(SL. 7), to znači da se grijač mora resetirati. Da biste obavili reset grijača, pritisnite sve do kraja tipku za reset (SL. 8). Prije nego što ponovno pustite grijač u rad, morate pronaći i otkloniti uzrok koji je doveo do blokade (na primjer, začepljenje ulaznog/izlaznog otvora za zrak, zaustavljanje ventilatora, itd.). U slučaju da se ne uspije riješiti problem koji je doveo do blokade, neka intervenira tehnički servis.

### ▶▶ 7.3. ISKLJUČIVANJE GRIJAČA:

Stavite prekidač "I/O" u položaj "0" (A SL. 5). Plamen se gasi a ventilator nastavlja s radom sve dok se komora za izgaranje u potpunosti ne ohladi. **Ne iskopčavajte iz utičnice sve dok se ne obavi u potpunosti ciklus hlađenja.**

## **8. ČIŠĆENJE FILTARA**

**S OBZIROM NA KVALITETU GORIVA KOJE SE KORISTI MOŽDA ĆE SE MORATI OBAVITI ČIŠĆENJE FILTARA:**

### ▶▶ 8.1. FILTAR ZA ULIJEVANJE (SL. 9):

- ▶ 8.1.1. Skinite čep (A) sa spremnika.
- ▶ 8.1.2. Izvadite filtar (B) iz spremnika.
- ▶ 8.1.3. Očistite filtar (B) čistim gorivom i pripazite da ga ne oštetite.
- ▶ 8.1.4. Ponovno postavite filtar (B) u spremnik.
- ▶ 8.1.5. Stavite čep (A).

### ▶▶ 8.2. FILTAR ZA USIS, (SL. 10) S OBZIROM NA MODEL:

- ▶ 8.2.1. Izvadite čašu (A).
- ▶ 8.2.2. Izvadite filtar (B) iz čaše na način da pripazite na brtve.
- ▶ 8.2.3. Očistite filtar (B) čistim gorivom i pripazite da ga ne oštetite.
- ▶ 8.2.4. Ponovno postavite filtar (B) u čašu.
- ▶ 8.2.5. Ponovno postavite čašu (A) i pripazite da pravilno postavite brtve.

### ▶▶ 8.3. FILTAR PUMPE ZA IZGARANJE:

Pogledajte program preventivnog održavanja.

## **9. ČUVANJE I PRIJEVOZ**

**UPOZORENJE:** Prije bilo kojeg pomicanja grijač se mora zaustaviti (VIDI POGL. 7.3.), iskopčati električno napajanje i to na način da se iskopča utikač iz strujne utičnice, (SL. 11), pričekajte da se grijač u potpunosti ohladi te se uvjerite da je čep spremnika dobro zatvoren kako ne bi došlo do ispuštanja goriva. Kada se grijač pomiče, držite ga u niveliranom položaju.

**KAKO BISTE OČUVALI U ŠTO BOLJEM STANJU GRIJAČ, SAVJETUJEMO VAM DA SE PRIDRŽAVATE SLIJEDEĆE PROCEDURE:**

- ▶ 9.1. Ispraznite spremnik od goriva na način da skinete čep za ispušt na dnu spremnika (SL. 12). Odbacite gorivo na prikladan način i u skladu s propisima na snazi.
- ▶ 9.2. Ako primijetite da ima taloga, ulijte čisto gorivo u spremnik i ponovno ga izlijte.
- ▶ 9.3. Zatvorite čep za ispušt i onaj spremnika.
- ▶ 9.4. Da biste očuvali grijač na što bolji način, savjetujemo vam da ga odložite na suho mjesto te zaštitite od mogućih vanjskih oštećenja.

## **10. POVEZIVANJE NA PROSTORNI TERMOSTAT**

Na modelima koji su prethodno pripremljeni za povezivanje na termostat, skinite čep povezan na grijač i povežite prostorni termostat (opcija) (SL. 13-14).

**UPOZORENJE: PRIJE NEGO ŠTO OBAVITE BILO KOJU OPERACIJU ODRŽAVANJA ILI POPRAVLJANJA, ISKOPČAJTE KABEL ZA NAPAJANJE SA ELEKTRIČNE MREŽE TE SE UVJERITE DA SE GRIJAČ OHLADIO.**

## 11. PROGRAM PREVENTIVNOG ODRŽAVANJA

KOMPONENTA	UČESTALOST ODRŽAVANJA	PROCEDURA ODRŽAVANJA
Spremnik goriva	Očistite jedanput godišnje s obzirom na potrebe	Ispraznite i isperite spremnik čistim gorivom (VIDI POGL. 9.)
Filtri	Očistite ili zamijenite jedan put na godinu ili s obzirom na potrebe (provjerite cjelovitost)	Očistite filtre (VIDI POGL. 8.)
Filtar pumpe za gorivo	Očistite ili zamijenite jedan put na godinu ili s obzirom na potrebe (provjerite cjelovitost)	Obratite se serviseru
Elektrode	Očistite s obzirom na potrebe	Obratite se serviseru
Ventilator	Očistite s obzirom na potrebe	Obratite se serviseru
Komora za izgaranje	Očistite s obzirom na potrebe	Obratite se serviseru

## 12. PRONALAZENJE PROBLEMA

PROBLEM	MOGUĆI UZROK	MOGUĆE RJEŠENJE
Grijač se ne pokreće ili ne ostaje uključen	<ol style="list-style-type: none"> <li>1. Prekidač za uključivanje u položaju "0"</li> <li>2. Nema napajanja</li> <li>3. Kabel za napajanje prekinut</li> <li>4. Elektronika u stanju blokade ili neispravna</li> <li>5. Pogrešno postavljanje prostornog termostata (tamo gdje postoji)</li> <li>6. Nema goriva</li> <li>7. Postojanje stranih tvari u krugu za izgaranje</li> </ol>	<ol style="list-style-type: none"> <li>1. Postaviti prekidač za uključivanje na položaj „PLAMEN“ (A SL. 5)</li> <li>2a. Pravilno ukopčajte kabel za napajanje u strujnu utičnicu mreže (SL. 4)</li> <li>2b. Provjerite pravilan napon vašeg uređaja</li> <li>3. Obratite se serviseru</li> <li>4a. Resetirajte grijač (VIDI POGL. 7.2.)</li> <li>4b. Obratite se serviseru</li> <li>5. Na prostornom termostatu, postavite višu temperaturu od one radnog prostora (SL. 6)</li> <li>6. Ulijte gorivo i eventualno resetirajte grijač</li> <li>7a. Ispraznite i napunite spremnik čistim gorivom (VIDI POGL. 9.)</li> <li>7b. Očistite filtre (VIDI POGL. 8.)</li> <li>7c. Obratite se serviseru</li> </ol>
Grijač stvara dim tijekom rada	<ol style="list-style-type: none"> <li>1. Ima stranih tvari u krugu goriva</li> <li>2. Začepljenost ulaznog otvora za zrak</li> <li>3. Neispravan dovod zraka</li> </ol>	<ol style="list-style-type: none"> <li>1a. Ispraznite i napunite spremnik čistim gorivom (VIDI POGL. 9.)</li> <li>1b. Očistite filtre (VIDI POGL. 8.)</li> <li>1c. Obratite se serviseru</li> <li>2. Odstranite sve moguće uzroke začepljenosti otvora za zrak</li> <li>3. Podesiti zaklopac za zrak postavljen ispod ventilatora na stražnjem dijelu grijača (ulijevo se zaklopac zatvara, udesno se otvara)</li> </ol>
Grijač se ne isključuje	<ol style="list-style-type: none"> <li>1. Elektronika je neispravna</li> </ol>	<ol style="list-style-type: none"> <li>1. Obratite se serviseru</li> </ol>



**SVARBU: PRIEŠ ATLIEKANT ŠIO ŠILDYTUVO MONTAVIMO, PALEIDIMO IR PRIEŽIŪROS DARBUS, PERSKAITYKITE IR ĮSISAVINKITE ŠIĄ NAUDOJIMO INSTRUKCIJĄ. NETINKAMAS ŠILDYTUVO NAUDOJIMAS GALI SUKELTI SUNKIUS AR MIRTINUS SUŽALOJIMUS. IŠSAUGOKITE ŠĮ VADOVĄ PERŽIŪRAI ATEITYJE.**


## **1. APRAŠYMAS**

Šios kategorijos oro šildytuvai yra tinkamiausi vidutinio dydžio ar didelių patalpų apšildymui. Šildytuvai skiriasi šildymo pobūdžiu - yra tiesioginio ir netiesioginio šildymo šildytuvai.

Netiesioginio šildymo šildytuvai (PAV. 1) šilumokaičio pagalba gali atskirti atskirti degimo dujas nuo karšto į aplinką išleisto oro. Tokiu būdu karšto švaraus oro srautą galima įleisti į šildomas patalpas, o degimo dūmus išleisti į išorę.

Šie oro šildytuvai buvo sukurti pagal pačius moderniausius saugumo, funkcionalumo ir patvarumo standartus. Apsauginiai prietaisai visada užtikrina teisingą šildytuvo veikimą.

## **2. SAUGUMO INFORMACIJA ISPĖJIMAI**

 **SVARBU:** Šis prietaisas nėra skirtas naudoti asmenims (įskaitant vaikus), turintiems fizinę, jutimo ar protinę negalią, arba neturintiems patirties ir žinių, nebent jie yra prižiūrimi asmens, atsakingo už jų saugumą. Nepalikite vaikų bet priežiūros, kad užtikrinti, jog jie su prietaisu nežaistų.

 **PAVOJUS:** Apsinuodijimas anglies monoksidu gali sukelti mirtį.

Pirmi apsinuodijimo anglies monoksidu simptomai yra panašūs į gripo - galvos skausmas, svaigimas ir / ar pykinimas. Šiuos simptomus gali sukelti netinkamas šildytuvo veikimas. JEI ŠIE SIMPTOMAI PASIREIKŠTŲ, NEDELSDAMI IŠEIKITE Į LAUKĄ, o šildytuvo taisymą turi atlikti techninės pagalbos centras.

### **▶▶ 2.1. PRIPILDYMAS DEGALAIS:**

▶ 2.1.1. Personalas, kuriam paskirta pripildyti degalų, turi būti kvalifikuotas ir pilnai susipažinęs su gamintojo instrukcija ir galiojančiomis teisinėmis nuostatomis, susijusiomis su saugiu šildytuvų papildymu degalais.

▶ 2.1.2. Naudokitetikšildytuvoidentifkacinėje plokštelėje aiškiai nurodytą degalų tipą.

▶ 2.1.3. Prieš įpilant degalų, šildytuvą išjunkite ir palaukite kol atvės.

▶ 2.1.4. Degalų talpyklos turi būti laikomos atskirame pastate.

▶ 2.1.5. Visi degalų bakai turi būti mažiausiai saugiu atstumu nuo šildytuvo, pagal galiojančių teisinių nuostatų reikalavimus.

▶ 2.1.6. Kuras turi būti laikomi patalpose su tokiu grindiniu, pro kurį nuvarvėjęs negalėtų prasisunkti ir užsidegti nuo apačioje esančios ugnies.

▶ 2.1.7. Degalai turi būti sandėliuojami, laikantis galiojančių teisinių nuostatų reikalavimų.

### **▶▶ 2.2. SAUGUMAS:**

▶ 2.2.1. Niekada nenaudokite šildytuvo patalpose, kuriose yra benzino, dažų tirpiklių ir kitų labai degių dujų.

▶ 2.2.2. Naudodami šildytuvą, laikykitės visų vietinių ir teisinių nuostatų reikalavimų.

▶ 2.2.3. Šildytuvai, naudojami šalia netoliese esančių brezentinių dangų, užuolaidų ar panašių medžiagų apdangalų, turi būti nuo jų saugiu atstumu. Taipogi, rekomenduotina naudoti ugniai atsparias dangos medžiagas.

▶ 2.2.4. Naudokite tik tinkamai vėdinamose patalpose. Vadovaudamiesi galiojančių teisinių nuostatų reikalavimais, įrenkite angą, kad pro ją galėtų įeiti grynas oras.

▶ 2.2.5. Šildytuvai turi būti maitinamas tik elektros srove su identifikacinėje lentelėje nurodytais įtampa ir dažniu.

▶ 2.2.6. Naudokite tik tinkamai įžemintus ilgintuvus.

▶ 2.2.7. Mažiausi rekomenduotini saugūs atstumai tarp šildytuvo ir degių medžiagų: priekinis išėjimas = 2,5 m; šonas, viršuje ir gale = 1,5 m.

▶ 2.2.8. Kad išvengtų gaisro rizikos, karštą ar veikiantį šildytuvą statykite ant tvirto ir lygaus paviršiaus.

▶ 2.2.9. Gyvūnus laikykite saugiu nuo šildytuvo atstumu.

▶ 2.2.10. Jei šildytuvo nenaudojate, jį atjunkite nuo tinklo lizdo.

▶ 2.2.11. Kai yra valdomas termostato, šildytuvai gali įsijungti bet kuriuo metu.



- ▶ **2.2.12.** Niekada nenaudokite šildytuvo kambariuose, kuriuose paprastai yra gyvenama ar miegamuosiuose.
- ▶ **2.2.13.** Niekada neužkimškite šildytuvo oro įleidimo ar oro išleidimo (priekinė pusė).
- ▶ **2.2.14.** Šildytuvui įkaitus ar, kai jis yra prijungtas prie elektros tinklo, jo niekada negalima perkelti, imti rankomis, papildyti kuru ar atlikti bet kokius jo priežiūros darbus.
- ▶ **2.2.15.** Įleidžiamą ir/ar išleidžiamą orą nukreipkite, naudodami originalius, tam skirtus rinkinius (kai numatyta).
- ▶ **2.2.16.** Degias, karščiui neatsparias medžiagas (įskaitant maitinimo laidą) nuo įkaitusių šildytuvo dalių laikykite pakankamai saugiu atstumu.
- ▶ **2.2.17.** Jei maitinimo laidas yra pažeistas, jį turi pakeisti techninės pagalbos centras, kad būtų išvengta bet kokios rizikos.

### **3. IŠPAKAVIMAS**

**ĮSPĖJIMAS:** Pakuotės medžiagos - tai ne žaislas vaikams. Laikykite plastikinį maišelį vaikams nepasiekiamoje vietoje; pavojus uždusti!

- ▶ **3.1.** Nuimkite visas, šildytuvui įpakuoti ir pristatyti, naudotas pakuotės medžiagas. Atliekas tvarkykite, laikydamiesi galiojančių teisinių nuostatų reikalavimų.
- ▶ **3.2.** Jei šildytuvas yra pastatytas ant pakyls, jį atsargiai nukelkite.
- ▶ **3.3.** Patikrinkite, ar transportavimo metu nebuvo apgadintas. Jei šildytuvas yra apgadintas, nedelsdami apie tai praneškite prekybos atstovui, iš kurio jį įsigijote.

### **4. MONTAVIMAS**

Šie šildytuvai, priklausomai nuo modelio, yra įrengti su ratais, rankena ir kaminu (PAV. 2). Šie komponentai su atitinkamais montavimui skirtais varžtais yra šildytuvo pakuotėje.

### **5. DEGALAI**

**ĮSPĖJIMAS:** Šildytuvas veikia tik su DYZELINU arba ŽIBALU.

Kad išvengti gaisro ar sprogo, naudokite tik dyzeliną arba žibalą. Niekada nenaudokite benzino, naftos, dažų tirpiklio, alkoholio ar kitų labai degių degalų.

Labai žemos temperatūros atvejais naudokite netoksiškus antifrizo priedus.

Esant žemesnei nei 5°C temperatūrai, rekomenduojama naudoti žieminį dyzeliną.

## **6. VEIKIMO PRINCIPAI**

**A.** Degimo kamera ir galvutė, **B.** Ventilatorius, **C.** Variklis, **D.** Siurblys, **E.** Bakas, **F.** Kaminas.

Siurblys iš bako siurbia kurą ir pakelia jo slėgį į darbinį lygį. Kuras yra nunešamas link purkštuko, kuris jį išpurškia degimo kameroje. Degimas įvyksta maišant orą/degalus ir jų produktus, kurie yra išstumiami kartu su ventilatoriaus sukimosi sukurtu oro srautu. Tiesioginio šildymo modelių degimo produktai yra išmetami į sušildytą aplinką, o netiesioginio šildymo modelių degimo produktai gali būti iš sušildytos aplinkos išleisti į išorę, juos nukreipiant. Prie valdymo įtaiso elektroninės plokštės prijungta eilė jutiklių šildytuvo veikimą nuolat tikrina ir nustatę triktį, jį sustabdo.

## **7. VEIKIMAS**

**ĮSPĖJIMAS:** Prieš įjungdami šildytuvą, atidžiai perskaitykite „SAUGUMO INFORMACIJĄ“.

### **▶▶ 7.1. ŠILDYTUVO ĮJUNGIMAS:**

- ▶ **7.1.1.** Laikykitės visų su saugumu susijusių nurodymų.
- ▶ **7.1.2.** Patikrinkite, ar bake yra degalų.
- ▶ **7.1.3.** Uždarykite bako dangtelį (PAV. 3).
- ▶ **7.1.4.** Prijunkite maitinimo kištuką prie elektros tinklo (PAV. 4) (ŽR. ĮTAMPĄ TECHNINIŲ DUOMENŲ LENTELEJE).
- ▶ **7.1.5.** Įjungimo jungiklį nustatykite į padėtį „LIEPSNA“ (A PAV. 5). Šildytuvas turėtų įsijungti per kelias sekundes. Jei šildytuvas neįsijungia, skaitykite paragrafą „12. PROBLEMOS NUSTATYMAS“.
- ▶ **7.1.6.** Kad užtikrintumėte didžiausią galingumą, pasukite maitinimo jungiklį į padėtį „DVIĞUBA LIEPSNA“ (B PAV. 5).
- ▶ **7.1.7.** Šildytuvas gali būti naudojamas ventiliacijos režime; norėdami suaktyvinti šią funkciją, pasukite įjungimo jungiklį į padėtį „VENTILIATORIUS“ (A PAV. 5).
- ▶ **7.1.8.** Jei modelis yra su kambariniu termostatu, patikrinkite nustatytą temperatūrą (PAV. 6).

**PASTABA: JEI ŠILDYTUVAS IŠSIJUNGTŲ DĖL PASIBAIGUSIŲ DEGALŲ, PRIPILDYKITE BAKĄ IR ATSTATYKITE ŠILDYTUVO ANKSTESNĘ BŪSENĄ (ŽR. PARAG. 7.2.).**

**SVARBU:** Netiesioginio šildymo modelių atveju, degimo produktai gali būti išleisti į išorę. **IŠLEISDAMI DEGIMO PRODUKTUS Į APLINKĄ, VADOVAUKITĖS GALIOJANČIŲ TEISINIŲ NUOSTATŲ REIKALAVIMAMS IR LAIKYKITĖS TAM SKIRTAME VADOVO SKYRIUJE PATEIKTŲ NURODYMŲ.**

### ▶▶ 7.2. ŠILDYTUVO DARBINIŲ SĄLYGŲ ATKŪRIMAS:

Jei įprastas veikimas sutrinka, šildytuvas nustoja veikti. Kai ant atstatymo mygtuko užsidega be pertrūkių deganti raudona lemputė (PAV. 7), tai reiškia, kad reikia atstatyti šildytuvo veikimo sąlygas. Norint šildytuvą atstatyti, reikia iki galo paspausti atstatymo mygtuką „reset“ (PAV. 8). Prieš šildytuvo įjungimą, reikia nustatyti šildytuvo veikimo sustabdymo priežastį (pvz., užsikimšusi oro įleidimo/išleidimo anga, neveikia ventiliatorius ir t.t.). Jei šildytuvo neveikimo priežasties pašalinti nepavyktų, tai turi išspręsti techninės pagalbos centras.

### ▶▶ 7.3. ŠILDYTUVO IŠJUNGIMAS:

Jungiklį „I/O“ nustatykite į padėtį „0“ (A PAV. 5). Liepsna užgesta, o ventiliatorius veikia iki tol, kol degimo kamera visiškai atvėsta. **Neatjunkite lizdo, kol vėsinimo ciklas yra pilnai neužbaigtas.**

## 8. FILTRŲ VALYMAS

**PRIKLAUSOMAI NUO NAUDOJAMŲ DEGALŲ KOKYBĖS, GALI PRIREIKTI IŠVALYTI FILTRUS:**

### ▶▶ 8.1. ĮPYLIMO FILTRAS (PAV. 9):

- ▶ 8.1.1. Nuo bako nuimkite dangtelį (A).
- ▶ 8.1.2. Iš bako išimkite filtrą (B).
- ▶ 8.1.3. Atsargiai, kad filtro nesugadintumėte, naudodami švarius deglus, filtrą (B) išvalykite.
- ▶ 8.1.4. Filtrą (B) įdėkite atgal į baką.
- ▶ 8.1.5. Uždenkite dangteliu (A).

### ▶▶ 8.2. IŠSIURBIMO FILTRAS, (PAV. 10) PAGAL MODELĮ:

- ▶ 8.2.1. Išimkite indelį (A).
- ▶ 8.2.2. Atsargiai, stengdamiesi nepažeisti sandarinimo elementų, išimkite filtrą (B) iš indelio.
- ▶ 8.2.3. Atsargiai, kad filtro nesugadintumėte, naudodami švarius degalus, filtrą (B) išvalykite.
- ▶ 8.2.4. Įdėkite filtrą (B) atgal į indelį.
- ▶ 8.2.5. Stengdamiesi teisingai sumontuoti sandarinimo elementus, indelį (A) sumontuokite atgal.

### ▶▶ 8.3. DEGALŲ SIURBLIO FILTRAS:

Žr. profilaktinės priežiūros programą.

## 9. SAUGOJIMAS IR TRANSPORTAVIMAS

**ĮSPĖJIMAS:** Prieš bet kokius perkėlimo darbus, reikia šildytuvą sustabdyti (ŽR. PARAG. 7.3.), elektros maitinimą atjungti, ištraukiant kištuką iš elektros lizdo (PAV. 11), palaukti, kol šildytuvas visiškai atvės, siekiant išvengti degalų nutekėjimo, įsitikinti, kad bako dangtelis yra sandariai uždarytas. Šildytuvą perkeliant, jį laikykite horizontalioje padėtyje.

### SIEKIANT ŠILDYTUVĄ GERIAU APSAUGOTI, REKOMENDUOTINA LAIKYTIS SEKANČIOS PROCEDŪROS NURODYMŲ:

- ▶ 9.1. Nuimkite ant degalų bako dugno esantį dangtelį ir jį ištuštinkite (PAV. 12). Degalų atliekas šalinkite galiojančių teisinių nuostatų reikalavimus atitinkančiu būdu. šildytuvo veikimą.
- ▶ 9.2. Pastebėję nuosėdų, įpilkite švarių degalų ir vėl juos išleiskite.
- ▶ 9.3. Uždarykite bako nupylimo dangtelį.
- ▶ 9.4. Siekiant šildytuvą kuo geriau apsaugoti, rekomenduotina jį laikyti sausoje, nuo aplinkos veiksnių apsaugotoje vietoje.

## 10. KAMBARINIO TERMOSTATO PRIJUNGIMAS

Modeliuose, kuriuos galima jungti prie termostato, nuimkite prie šildytuvo pritvirtintą dangtelį ir prijunkite kambarinį termostatą (fakultatyvus) (PAV. 13-14).

**ĮSPĖJIMAS: PRIEŠ ATLIKdami BET KOKIUS PRIEŽIŪROS AR TAISYMO DARBUS, NUO ELEKTROS TINKLO ATJUNKITE MAITINIMO LAIDĄ IR ĮSITIKINKITE, KAD ŠILDYTUVAS ATVĖSO.**

## 11. PROFILAKTINĖ PRIEŽIŪROS PROGRAMA

KOMPONENTAS	PRIEŽIŪROS PERIODIŠKUMAS	PRIEŽIŪROS PROCEDŪRA
Degalų bakas	Valyti kartą į metus arba pagal poreikius	Baką ištuštinkite ir, naudodami švarius degalus, jį praskalaukite (ŽR. PARAG. 9.)
Filtrai	Valyti arba keisti kartą į metus arba pagal poreikius (patikrinti būklę)	Išvalykite filtrus (ŽR. PARAG. 8.)
Degalų siurblio filtras	Valyti arba keisti kartą į metus arba pagal poreikius (patikrinti būklę)	Kreipkitės į techninės pagalbos centrą
Elektrodai	Valyti pagal poreikius	Kreipkitės į techninės pagalbos centrą
Ventiliatorius	Valyti pagal poreikius	Kreipkitės į techninės pagalbos centrą
Degimo kamera	Valyti pagal poreikius	Kreipkitės į techninės pagalbos centrą

## 12. PROBLEMOS NUSTATYMAS

PROBLEMA	GALIMA PRIEŽASTIS	GALIMAS SPRENDIMO BŪDAS
Šildytuvas neįsijungia ar įjungtas išsijungia	<ol style="list-style-type: none"> <li>Įjungimo jungiklis yra padėtyje „0“</li> <li>Nėra maitinimo</li> <li>Maitinimo laidas nutrūkęs</li> <li>Elektroninė plokštė neveikia arba yra trikčių</li> <li>Klaidingai nustatytas kambarinis termostatas (jei yra)</li> <li>Nėra degalų</li> <li>Degalų grandinėje yra pašalinių medžiagų</li> </ol>	<ol style="list-style-type: none"> <li>Įjungimo jungiklį nustatykite į padėtį „LIEPSNA“ (A PAV. 5)</li> <li> <ol style="list-style-type: none"> <li>Į elektros tinklo lizdą maitinimo laidą įkiškite teisingai (PAV. 4)</li> <li>Patikrinkite, ar jūsų įrenginio įtampa yra tinkama</li> </ol> </li> <li>Kreipkitės į techninės pagalbos centrą</li> <li> <ol style="list-style-type: none"> <li>Atstatykite šildytuvą (ŽR. PARAG. 7.2.)</li> <li>Kreipkitės į techninės pagalbos centrą</li> </ol> </li> <li>Kambariniame termostate nustatykite aukštesnę nei darbo aplinkos temperatūrą (PAV. 6)</li> <li>Pripilkite degalų ir tada atstatykite šildytuvą           <ol style="list-style-type: none"> <li>Baką ištuštinkite ir pripildykite švariais degalais (ŽR. PARAG. 9.)</li> <li>Išvalykite filtrus (ŽR. PARAG. 8.)</li> <li>Kreipkitės į techninės pagalbos centrą</li> </ol> </li> </ol>
Iš šildytuvo jo veikimo metu eina dūmai	<ol style="list-style-type: none"> <li>Degalų grandinėje yra pašalinių medžiagų</li> <li>Užsikimšusi oro įleidimo anga</li> <li>Oro tiekimas neteisingas</li> </ol>	<ol style="list-style-type: none"> <li>Baką ištuštinkite ir pripildykite švariais degalais (ŽR. PARAG. 9.)</li> <li>Išvalykite filtrus (ŽR. PARAG. 8.)</li> <li>Kreipkitės į techninės pagalbos centrą</li> </ol> <ol style="list-style-type: none"> <li>Oro įleidimo angą atkimškite</li> <li>Sureguliuokite po ventiliatoriumi, galinėje šildytuvo dalyje esančią sklendę (pastūmus į kairę sklendė užsidaro, o pastūmus į dešinę sklendė atsidaro)</li> </ol>
Šildytuvas neišsijungia	<ol style="list-style-type: none"> <li>Elektroninė plokštė sugedo</li> </ol>	<ol style="list-style-type: none"> <li>Kreipkitės į techninės pagalbos centrą</li> </ol>





- ▶ 2.2.12. Nekad neizmantojiet sildītāju biezi apdzīvotās telpās, ne arī guļamistabā.
- ▶ 2.2.13. Nekad nenobloķējiet sildītāja gaisa ieplūdi vai gaisa izvadi (priekšpusē).
- ▶ 2.2.14. Ja sildītājs ir karsts vai pieslēgts strāvas padeves tīklam, vai arī darbojas, to nedrīkst pārvietot, izmantot, uzpildīt ar degvielu, kā arī veikt tehniskās apkopes darbus.
- ▶ 2.2.15. Novadot gaisu ieejā un/vai izejā, izmantojiet tikai oriģinālos komplektus (kur paredzēts).
- ▶ 2.2.16. Saglabāt drošības attālumu starp uzliesmojošiem vai termoneizturīgiem materiāliem (ieskaitot strāvas vadu) un sakarsušajām sildītāja daļām.
- ▶ 2.2.17. Ja strāvas padeves vads ir bojāts, tas jānomaina servisa centrā, lai novērstu jebkādu risku.

### 3. IZPAKOŠANA

**BRĪDINĀJUMS:** Iepakojuma materiāls nav rotaļlieta bērniem. Plastmasas maisiņu uzglabājiet bērniem nepieejamā vietā; nosmakšanas risks!

- ▶ 3.1. Novāciet visus iepakojuma materiālus, kas tika izmantoti, lai iepakotu un nosūtītu sildītāju. Iznīcināt saskaņā ar spēkā esošajiem noteikumiem.
- ▶ 3.2. Ja sildītājs ir novietots uz platformas, nolaidiet to uzmanīgi.
- ▶ 3.3. Pārbaudiet, vai transportēšanas laikā nav radušies bojājumi. Ja sildītājs ir bojāts, nekavējoties sazinieties ar izplatītāju, kas piegādājis to.

### 4. MONTĀŽA

Šie sildītāji ir aprīkoti ar riteņiem, rokturi un kamīnu, atkarībā no modeļa (ATT. 2). Šie komponenti, kopā ar attiecīgo montāžas aparāturu, atrodas sildītāja iepakojumā.

### 5. DEGVIELA

**BRĪDINĀJUMS:** Sildītājs darbojas tikai ar PETROLEJU vai DĪZEĻDEGVIELU.

Izmantojiet tikai dīzeļdegvielu vai petroleju, lai izvairītos no ugunsgrēka vai eksplozijas. Nekad nelietojiet benzīnu, naftu, šķīdinātājus, alkoholu vai citus viegli uzliesmojošus kurināmos. Izmantojiet netoksisku antifrīzu pie ļoti zemām temperatūrām. Pie temperatūras zem 5°C ieteicams izmantot ziemas dīzeļdegvielu.

## 6. DARBĪBAS PRINCIPI

**A.** Kamera un degļa galva, **B.** Ventilators, **C.** Dzinējs, **D.** Sūknis, **E.** Tvertne, **F.** Kamīns.

Sūknis iesūc no tvertnes degvielu zem darba spiediena. Degviela tiek novadīta uz sprauslu, kas to iesmidzina sadedzināšanas kamerā. Sadegšana notiek, izmantojot gaisa/kurināmā maisījumu, kura produkti tiek spiesti uz ārpusi caur gaisa plūsmu, ko rada rotācijas ventilators. Tiešās apsildes modeļos degšanas produkti silda vidi, bet netiešās apsildes modeļos degšanas produkti var tik izspiesti apsildāmajā vidē, izmantojot to novadīšanu. Vairāki sensori, kas pievienoti elektroniskajam kontroles panelim, pastāvīgi pārbauda pareizu sildītāja darbību, pārtraucot ciklu anomālijas gadījumā.

## 7. DARBA REŽĪMS

**BRĪDINĀJUMS:** Pirms sildītāja ieslēgšanas uzmanīgi izlasiet "INFORMĀCIJA PAR DROŠĪBAS PASĀKUMNIEM".

### ▶▶ 7.1. SILDĪTĀJA IESLĒGŠANA:

- ▶ 7.1.1. Ievērojiet visus drošības norādījumus.
  - ▶ 7.1.2. Pārbaudiet, vai tvertnē ir degviela.
  - ▶ 7.1.3. Aizveriet tvertnes vāciņu (ATT. 3).
  - ▶ 7.1.4. Pievienojiet strāvas kontaktdakšu elektrotīklam (ATT. 4) (SKATĪT SPRIEGUMU "TEHNISKO DATU TABULA").
  - ▶ 7.1.5. Pagrieziet ieslēgšanas slēdzi stāvoklī "LIESMA" (A ATT. 5). Sildītājam jāieslēdzas dažu sekunžu laikā. Ja sildītājs neieslēdzas, skatiet apakšpunktu "12. PROBLĒMAS NOTEIKŠANA".
  - ▶ 7.1.6. Lai iegūtu maksimālo jaudu, pagrieziet strāvas slēdzi stāvoklī "DUBULTA LIESMA" (B ATT. 5).
  - ▶ 7.1.7. Sildītāju var izmantot ventilācijas režīmā, lai aktivizētu šo funkciju, pagrieziet aizdedzes slēdzi stāvoklī "VENTILATORS" (A ATT. 5).
  - ▶ 7.1.8. Modeļiem ar vides termostatu pārbaudiet temperatūras iestatījumu (ATT. 6).
- N.B.: SILDĪTĀJA IZSLĒGŠANĀS GADĪJUMĀ DEGVIELAS TRŪKUMA DĒĻ, UZPILDĪT TVERTNI UN ATIESTATĪT SILDĪTĀJU (SKATĪT 7.2. APAKŠPUNKTU).**

**SVARĪGI:** Netiešo modeļu degšanas produkti ir jāizvada. KANALIZĀCIJAS SISTĒMA DARBOJAS SASKAŅĀ AR SPĒKĀ ESOŠAJIEM NOTEIKUMIEM, UN SEKOJOT NORĀDĪJUMIEM ŠIS ROKASGRĀMATAS SADAĻĀ.



## ►► 7.2. SILDĪTĀJA ATIESTATĪŠANA:

Ja normālā darbības režīmā tiek noteikta anomālija, sildītājs izslēdzas. Kad atiestatīšanas poga tiek izgaismota ar pastāvīgu sarkanu gaismu (ATT. 7), tas nozīmē, ka sildītājs jāatiestata. Lai sildītāju atiestatītu, nospiediet atiestatīšanas pogu (ATT. 8). Pirms sildītāja darbības atsākšanas nepieciešams atrast un novērst cēloni, kas izraisījis izslēgšanos (piemēram, gaisa ieplūdes un/vai gaisa izplūdes obstrukcija, ventilatora apstāšanās, utt.). Ja nevarat novērst problēmu, kas izraisījusi izslēgšanos, sazinieties ar pakalpojumu centru.

## ►► 7.3. SILDĪTĀJA IZSLĒGŠANA:

Pagrieziet slēdzi uz "I/O" stāvoklī "0" (A ATT. 5). Liesma apdzies, un ventilators turpina darboties, līdz sadegšanas kamera nav pilnībā atdzisusi. **Neatvienojiet kontaktdakšu, līdz dzesēšanas cikls nav pilnībā beidzies.**

## **8. FILTRA TĪRĪŠANA**

**ATKARĪBĀ NO IZMANTOTĀS DEGVIELAS KVALITĀTES, VAR BŪT NEPIECIEŠAMA FILTRA TĪRĪŠANA:**

### ►► 8.1. FILTRA IEVIETOŠANA (ATT. 9):

- 8.1.1. Noņemiet tvertnes vāciņu (A).
- 8.1.2. Izņemiet no tvertnes filtru (B).
- 8.1.3. Izīriiet filtru (B) ar tīru degvielu, uzmanoties, lai nesabojātu to.
- 8.1.4. Uzstādiet tvertnes filtru (B) no jauna.
- 8.1.5. Aizveriet vāciņu (A).

### ►► 8.2. IEPLŪDES FILTRS (ATT. 10) ATKARĪBĀ NO MODEĻA:

- 8.2.1. Noņemiet stikla pārsegu (A).
- 8.2.2. Izņemiet filtru (B) no stikla pārsega, rūpīgi saglabājot plombas.
- 8.2.3. Izīriiet filtru (B) ar tīru degvielu, uzmanoties, lai to nesabojātu.
- 8.2.4. Uzstādiet stikla pārsega filtru (B) no jauna.
- 8.2.5. Nomainiet stikla pārsegu (A), pienācīgi uzstādot plombas.

### ►► 8.3. DEGVIELAS SŪKŅA FILTRS:

Skatīt profilaktiskās apkopes grafiku.

## **9. UZGLABĀŠANA UN TRANSPORTS**

**BRĪDINĀJUMS:** Pirms pārceļšanas sildītājs jāslēdz (SKATĪT 7.3. APAKŠPUNKTS), atvienojiet strāvas padevi, izņemot spraudni no strāvas padeves kontaktligzdas (ATT. 11), uzgaidiet, līdz sildītājs ir pilnībā atdzisis, un pārlicinieties, vai degvielas tvertnes vāciņš ir cieši noslēgts, lai degviela izlaistītos. Pārvietojot sildītāju, saglabājiet to horizontālā stāvoklī.

### LAI LABĀK UZGLABĀTU SILDĪTĀJU, LĪDZU, IEVĒROJIET ŠĀDU PROCEDŪRU:

- 9.1. Iztukšojiet degvielas tvertni, noņemot iztukšošanas aizbāzni tvertnes apakšējā daļā (ATT. 12). Atbrīvojieties no degvielas pienācīgā veidā un saskaņā ar spēkā esošajiem noteikumiem.
- 9.2. Ja novērojat atlieku klātbūtni, ielejiet tvertnē tīru degvielu un atkārtoti izlejiet to.
- 9.3. Aizveriet notecināšanas un tvertnes aizbāzni.
- 9.4. Lai sildītājs tiktu pienācīgi saglabāts, uzglabājiet to sausā vietā, aizsargājot no iespējamajiem bojājumiem.

## **10. VIDES TERMOSTATA PIEVIENOŠANA**

Modeļiem ar termostata pievienošanas aprīkojumu noņemiet sildītāja savienojuma vāciņu un pieslēdziet vides termostatu (opcionāli) (ATT. 13-14).

**BRĪDINĀJUMS: PIRMS JEBKĀDU TEHNISKĀS APKOPES VAI REMONTDARBU VEIKŠANAS ATVIEŅOJIET STRĀVAS VADU NO ELEKTROTĪKLA UN PĀRLIECINIETIES, VAI SILDĪTĀJS IR ATDZISIS.**

## 11. PROFILAKTISKĀS APKOPES GRAFIKS

SASTĀVDAĻA	APKOPE BIEŽUMS	APKOPE PROCESS
Degvielas tvertne	Iztīriet degvielas tvertni reizi gadā vai pēc nepieciešamības	Iztukšojiet un izskalojiet tvertni ar tīru degvielu (SKAT. 9. APAKŠPUNKTU)
Filtri	Iztīriet vai nomainiet filtru reizi gadā vai pēc nepieciešamības (pārbaudiet integritāti)	Iztīriet filtru (SKAT. 8. APAKŠPUNKTU)
Degvielas sūkņa filtrs	Iztīriet vai nomainiet filtru reizi gadā vai pēc nepieciešamības (pārbaudiet integritāti)	Sazinieties ar klientu apkalpošanas centru
Elektrodi	Tīriet pēc nepieciešamības	Sazinieties ar klientu apkalpošanas centru
Ventilators	Tīriet pēc nepieciešamības	Sazinieties ar klientu apkalpošanas centru
Sadeģšanas kamera	Tīriet pēc nepieciešamības	Sazinieties ar klientu apkalpošanas centru

## 12. PROBLĒMAS NOTEIKŠANA

PROBLĒMA	IESPĒJAMĀS CĒĻONIS	IESPĒJAMĀS RISINĀJUMS
Sildītājs neieslēdzas vai paliek neieslēgts	<ol style="list-style-type: none"> <li>Aizdedzes slēdzis atrodas stāvoklī "0"</li> <li>Nav strāvas padeves</li> <li>Barošanas kabelis pārtraukts</li> <li>Elektronika izslēgta vai bojāta</li> <li>Vides termostata (ja tāds ir) nepareizs iestatījums</li> <li>Trūkst degvielas</li> <li>Svešķermeņi degvielas ķēdē</li> </ol>	<ol style="list-style-type: none"> <li>Pagrieziet ieslēgšanas slēdzi stāvoklī "LIESMA" (A ATT. 5)</li> <li>2a. Ievietojiet strāvas vadu sienas kontaktligzdā (ATT. 4)</li> <li>2b. Pārbaudiet ierīces spriegumu</li> <li>3. Sazinieties ar klientu apkalpošanas centru</li> <li>4a. Atiestatiet sildītāju (SKAT. 7.2. APAKŠPUNKTU)</li> <li>4b. Sazinieties ar klientu apkalpošanas centru</li> <li>5. Iestatiet termostatu tā, lai temperatūra būtu augstāka par darba vides temperatūru (ATT. 6)</li> <li>6. Uzpildiet degvielu un, iespējams, atiestatiet sildītāju</li> <li>7a. Iztukšojiet un izskalojiet tvertni ar tīru degvielu (SKAT. 9. APAKŠPUNKTU)</li> <li>7b. Iztīriet filtrus (SKAT. 8. APAKŠPUNKTU)</li> <li>7c. Sazinieties ar klientu apkalpošanas centru</li> </ol>
Darbības laikā sildītājs izmet dūmus	<ol style="list-style-type: none"> <li>Svešķermeņi degvielas ķēdē</li> <li>Gaisa ieplūdes zonas obstrukcija</li> <li>Nepareiza gaisa padeve</li> </ol>	<ol style="list-style-type: none"> <li>1a. Iztukšojiet un uzpildiet tvertni ar tīru degvielu (SKAT. 9. APAKŠPUNKTU)</li> <li>1b. Iztīriet filtrus (SKAT. 8. APAKŠPUNKTU)</li> <li>1c. Sazinieties ar klientu apkalpošanas centru</li> <li>2. Novērst visus iespējamus šķēršļus gaisa ieplūdes zonā</li> <li>3. Noregulējiet gaisa aizbīdņi, kas atrodas zem ventilatora sildītāja aizmugurē (pa kreisi gaisa aizbīdnis aizveras, pa labi gaisa aizbīdnis atveras)</li> </ol>
Sildītājs neizslēdzas	<ol style="list-style-type: none"> <li>Bojāta elektronika</li> </ol>	<ol style="list-style-type: none"> <li>1. Sazinieties ar klientu apkalpošanas centru</li> </ol>

**TÄHTIS: ENNE SOOJENDI KOKKUPANEMIST, KÄIVITAMIST VÕI HOOLDUST TULEB KASUTUSJUHEND LÄBI LUGEDA JA SELLEST ARU SAADA. SOOJENDI VALE KASUTAMINE VÕIB PÕHJUSTADA RASKEID VÕI SURMAVAID VIGASTUSI. KASUTUSJUHEND TULEB HOIDA TULEVIKUS KASUTAMISEKS ALLES.**

## **1. KIRJELDUS**


Kõnealused õhusoojendid sobivad eelkõige keskmise suurusega või suurte ruumide kütmiseks. Eristatakse otse- ja kaugküttega soojendeid.


Tänu soojusvahetile võimaldavad kaugküttega soojendid (JOONISED 1) eraldada keskkonda sattunud soojast õhust põlemisgaasi. Sel viisil on võimalik lasta sooja õhku soojendatavasse ruumi ning suunata heitgaasid välja.

Kõnealused õhusoojendid on kavandatud tänapäevaste ohutus-, töökindluse ja vastupidavuse kriteeriumide alusel. Ohutusseadmed tagavad alati soojendi nõuetekohase toimimise.

## **2. OHUTUSTEAVE**

### **HOIATUSED**

 **TÄHTIS:** Seda aparati ei tohi kasutada füüsiliste, sensorsete ja vaimsete puuetega või vastavate kogemusteta isikud (sh lapsed), v.a juhul, kui nende ohutuse eest vastutav isik neid juhendab. Tuleb jälgida, et lapsed ei mängiks aparaadiga.

 **OHT:** Süsinikoksiidist põhjustatud lämbus võib lõppeda surmaga.

Süsinikoksiidi põhjustatud lämbuse esimesed sümptomid sarnanevad gripi sümptomitele, millega kaasneb peavalu, peapööritus ja/või iiveldus. Niisugused sümptomid võivad olla põhjustatud soojendi rikkest. **KÕNEALUSTE SÜMPTOMITE ILMNEMISEL MINGE VIIVITAMATA VÄRSKE ÕHU KÄTTE** ja laske soojendi tehnilise abi keskusel parandada.

### **▶▶ 2.1. TARNIMINE:**

▶ 2.1.1. Tarnimise eest vastutavad töötajad peavad olema kvalifitseeritud ning teadlikud tootja kasutusjuhendist ja kehtivatest normidest, et tagada soojendite ohutu tarnimine.

▶ 2.1.2. Kasutada võib üksnes soojendi märgistusel täpsustatud kütust.

▶ 2.1.3. Enne tarnimist tuleb soojendi välja lülitada ja oodata, kuni see on jahtunud.

▶ 2.1.4. Kütusemahuteid tuleb hoida üksteisest eraldi.

▶ 2.1.5. Kõik kütusemahutid peavad kehtivate normide kohaselt asuma soojendist vähemalt minimaalsel ohutul kaugusel.

▶ 2.1.6. Kütust tuleb hoida ruumides, mille põrand ei võimalda kütusel läbi imbuda ja tilkuda selle all olevatele võimalikele kergsüttivatele ainetele, mis võivad põhjustada kütuse süttimist.

▶ 2.1.7. Kütus tuleb ladustada kooskõlas kehtivate normidega.

### **▶▶ 2.2. OHUTUS:**

▶ 2.2.1. Ärge kunagi kasutage soojendit ruumides, kus on bensiini-, värvilahusti- või muid väga tuleohtlikke aineid.

▶ 2.2.2. Soojendi kasutamisel tuleb järgida kõiki kohalikke määrusi ja kehtivaid norme.

▶ 2.2.3. Presendi, eesriide või muude sarnaste katematerjalide läheduses kasutatavad soojendid peavad asuma nendest ohutus kauguses. Soovitatakse kasutada ka tulekindlaid katematerjale.

▶ 2.2.4. Kasutada võib üksnes hästi ventileeritud ruumides. Ruumis peab olema kehtivatele normidele vastav avaus, mis võimaldab lasta ruumi värsket õhku.

▶ 2.2.5. Soojendit tohib ühendada üksnes selle märgisel näidatud pinge ja sagedusega elektritoitega.

▶ 2.2.6. Kasutage üksnes korralikult maandatud pikendusjuhet.

▶ 2.2.7. Soojendi ja süttivate ainete vaheline soovitatav minimaalne ohutu kaugus on eesmisest väljavooluavast 2,5 m ning külgedel, üleval ja taga 1,5 m.

▶ 2.2.8. Kuum või töötav soojendi tuleb asetada stabiilsele ja looditud pinnale, et vältida süttimisohtu.

▶ 2.2.9. Loomad tuleb hoida soojendist ohutus kauguses.

▶ 2.2.10. Kui soojendit ei kasutata, tuleb see elektrivõrgust lahutada.

▶ 2.2.11. Kui soojendit juhitakse termostaadi abil, võib see igal ajal sisse lülituda.

▶ 2.2.12. Mitte kunagi ei tohi soojendit kasutada elu- ega magamisruumides.

- ▶ 2.2.13. Mitte kunagi ei tohi katta kinni soojendi õhu sisse- ja väljavooluava (ees).
- ▶ 2.2.14. Kui soojendi on kuum, ühendatud elektrivõrku või sisse lülitatud, ei tohi seda nihutada, remontida, kütusega täita ega hooldada.
- ▶ 2.2.15. Õhku võib suunata sisse- ja/või väljavooluavasse üksnes originaalosade abil (kui on ette nähtud).
- ▶ 2.2.16. Süttivad või termotundlikud materjalid (sh toitejuhtmed) tuleb hoida soojendi kuumadest pindadest ohutus kauguses.
- ▶ 2.2.17. Kui toitejuhket vigastatakse, tuleb see lasta tehnilise abi keskusel välja vahetada, et vältida igasuguseid ohte.

### **3. SOOJENDI LAHTIPAKKIMINE**

**HOIATUS:** Pakend ei ole mänguasi. Hoidke kilekott laste käeulatuses eemal – lämbumisoht!

- ▶ 3.1. Eemaldage kõik soojendi pakkimis- ja saatmismaterjalid. Hävitage need kehtivate õigusaktide kohaselt.
- ▶ 3.2. Juhul kui soojendi asub alusel, tõstke ta sealt ettevaatlikult maha.
- ▶ 3.3. Kontrollige, kas transportimise käigus ei ole toode kahjustada saanud. Kui ilmneb, et soojendi on kahjustada saanud, tuleb sellest viivitamata teavitada edasimüüjat, kelle käest see osteti.

### **4. PAIGALDAMINE**

Soojendid on varustatud olenevalt mudelist rataste, käepideme ja toruga (JONISED 2). Need osad ja nende kinnitusedetailid asuvad soojendi pakendis.

### **5. KÜTUS**

**HOIATUS:** Soojendi töötab üksnes DIISLIKÜTUSE või PETROOLIGA.

Süttimis- või plahvatusohu vältimiseks tuleb kasutada üksnes diislikütust või petrooli. Mitte kunagi ei tohi kasutada bensiini, naftat, värvilahusteid, alkoholi või muid väga tuleohtlikke kütuseid.

Väga madalate temperatuuride korral võib kasutada mittetoksilisi külmumisvastaseid vahendeid.

Temperatuuri korral alla 5°C on soovitatav kasutada talvediiisliit.

## **6. TÖÖTAMISPÕHIMÕTTED**

**A.** Põlemiskamber ja põlemiskambri kate, **B.** Ventilaator, **C.** Mootor, **D.** Pump, **E.** Kütusepaak, **F.** Toru.

Pumba abil imetakse kütus paagist, et saavutada tööõhk. Kütus suunatakse otsakusse, mis pihustab selle põletuskambrisse. Põlemine toimub õhu ja kütuse segu abil ning põlemisjäädid surutakse ventilaatori pöörlemisest tekkinud õhuvoolu abil välja. Otseküttega mudelite korral satuvad põlemisjäädid soojendatud keskkonda, kaugküttega mudelite korral võivad põlemisjäädid sattuda toru kaudu soojendatud keskkonnast väljapoole. Elektroonilise kontrollkaardiga seotud andurid kontrollivad pidevalt soojendi nõuetekohast töötamist, peatades häirete korral tsükli.

## **7. TÖÖTAMINE**

**HOIATUS:** Enne soojendi sisselülitamist lugege tähelepanelikult peatükki „OHUTUSTEAVE”.

### **▶▶ 7.1. SOOJENDI SISSELÜITAMINE:**

- ▶ 7.1.1. Järgige kõiki ohutusinstruktsioone.
- ▶ 7.1.2. Kontrollige, et paagis oleks kütus.
- ▶ 7.1.3. Sulgege paagikaas (JONISED 3).
- ▶ 7.1.4. Ühendage toitepistik elektrivõrguga (JONISED 4) (VAATA “TEHNILISTE ANDMETE TABELIST” TOITEPINGE).
- ▶ 7.1.5. Seadke süütelüliti asendisse “LEEK” (A JONISED 5). Soojapuhur peaks sisse lülituma mõne sekundiga. Kui soojapuhur ei lülita sisse, vaadake lõiku “12. PROBLEEMI IDENTIFITSEERIMINE”.
- ▶ 7.1.6. Maksimaalse võimsuse saavutamiseks seadke toitelüliti asendisse “TOPELT LEEK” (B JONISED 5).
- ▶ 7.1.7. Selle funktsiooni aktiveerimiseks võib soojapuhurit kasutada ventilatsioonirežiimis, seadke süütelüliti asendisse “VENTILAATOR” (A JONISED 5).
- ▶ 7.1.8. Toatemperatuuri termostaadiga mudelite puhul, kontrollige seadistatud temperatuuri (JONISED 6).

**NB: KUI SOOJENDI LÜLITUB KÜTUSE LÖPPEMISE TÖTTU VÄLJA, TÄITKE KÜTUSEPAAK JA LÄHTESTAGE SOOJENDI (VT PUNKTI 7.2).**



**TÄHTIS:** Kaugküttega mudelite puhul võidakse põlemisjääk suunata toru abil väljapoole. PAIGALDAGE TORU KEHTIVATE ÕIGUSAKTIDE KOHASILT JA JÄRGIGE KASUTUSJUHENDI VASTAVAS PEATÜKIS TOODUD JUHTNÕORE.

### ▶▶ 7.2. SOOJENDI LÄHTESTAMINE:

Kui soojendi tavapärasel tööl tekib häire, siis soojendi seiskub. Kui lähtestamisnupus põleb punane tuli (JONIS 7), siis tuleb soojendit lähtestada. Soojendi lähtestamiseks vajutage lähtestamisnupp lõpuni (JONIS 8). Enne soojendi taaskäivitamist tuleb leida seiskumise põhjus ja see kõrvaldada (näiteks õhu sisse- ja/või väljavool on takistatud, ventilaatori seiskumine jne). Kui te ei suuda seiskumist põhjustanud probleemi lahendada, pöörduge tehnilise abi keskuse poole.

### ▶▶ 7.3. SOOJENDI VÄLJALÜLITAMINE:

Viige lüliti „I/O” asendisse „0” (A JONIS 5). Leek kustub ja ventilaator jätkab tööd kuni põlemiskambri täieliku jahtumiseni. Ärge eemaldage toitepistikut elektrivõrgust enne jahtumistsükli lõppu.

## 8. FILTRITE PUHASTAMINE KASUTATUD KÜTUSE KVALITEEDIST SÕLTUVALT VÕIB OSUTUDA VAJALIKUKS FILTRITE PUHASTAMINE:

### ▶▶ 8.1. KÜTUSEFILTER (JONIS 9):

- ▶▶ 8.1.1. Eemaldage kütusepaagi kork (A).
- ▶▶ 8.1.2. Võtke filter (B) kütusepaagist välja.
- ▶▶ 8.1.3. Puhastage filter (B) puhta kütusega ilma filtrit kahjustamata.
- ▶▶ 8.1.4. Paigaldage filter (B) kütusepaaki tagasi.
- ▶▶ 8.1.5. Sulgege kork (A).

### ▶▶ 8.2. TÕMBEFILTER (JONIS 10) VASTAVALT MUDELILE:

- ▶▶ 8.2.1. Eemaldage padrun (A).
- ▶▶ 8.2.2. Eemaldage padrunist filter (B), hoidke tihendid kindlas kohas.
- ▶▶ 8.2.3. Puhastage filter (B) puhta kütusega ilma filtrit kahjustamata.
- ▶▶ 8.2.4. Paigaldage filter (B) padrunisse tagasi.
- ▶▶ 8.2.5. Asetage padrun (A) tagasi, jälgides tihendite õiget paigaldamist.

### ▶▶ 8.3. KÜTUSEPUMBA FILTER:

Lugege ennetava hoolduse kava.

## 9. HOIUNDAMINE E TRANSPORT

**HOIATUS:** Enne soojendi liigutamist tuleb see seisma panna (VT PUNKTI 7.3), eemaldage toitepistik elektrivõrgust (JONIS 11), oodake, kuni soojendi on täielikult jahtunud ja veenduge, et kütusepaagi kork oleks kütuselekke vältimiseks korralikult kinni. Kui te soojendit liigutate, hoidke seda horisontaalasendis.

### SOOJENDI PARIMAL VIISIL HOIDMISEKS SOOVITATAKSE TOIMIDA JÄRGMISELT:

- ▶▶ 9.1. Tühjendage kütusepaak. Selleks eemaldage kütusepaagi all asuv kork (JONISED 12). Kõrvaldage kütuse kehtivate õigusaktide kohaselt.
- ▶▶ 9.2. Kui täheldate kütuses mustust, valage kütusepaaki puhast kütust ja tühjendage see uuesti.
- ▶▶ 9.3. Sulgege kütusepaagi kork.
- ▶▶ 9.4. Hoidke soojendit kuivas kohas ja kaitske võimaliku välise mõju eest.

## 10. RUUMITERMOSTAADI ÜHENDAMINE

Termostaadi ühendusega mudelitel eemaldage soojendi külge kinnitatud kork ja ühendage ruumitermostaat (lisaseade) (JONIS 13-14).



**HOIATUS: ENNE HOOLDUS- VÕI PARANDUSTÖÖDE TEGEMIST VÕTKE TOITEJUHE ELEKTRIVÕRGUST VÄLJA JA VEENDUGE, ET SOOJENDI ON JAHTUNUD.**

## 11. ENNETAVA HOOLDUSE KAVA

SOOJENDI OSA	HOOLDUSSAGEDUS	HOOLDUSPROTSESS
Kütusepaak	Puhastada korra aastas või vajaduse järgi	Tühjendada kütusepaak ja pesta seda puhta kütusega (VT PUNKTI 9.)
Filtrid	Puhastada ja vahetada korra aastas või vajaduse järgi (kontrollida terviklikkust)	Puhastada filtrid (VT PUNKTI 8.)
Kütusepumba filter	Puhastada ja vahetada korra aastas või vajaduse järgi (kontrollida terviklikkust)	Pöörduda tehnilise abi keskuse poole
Elektroodid	Puhastada vajaduse järgi	Pöörduda tehnilise abi keskuse poole
Ventilaator	Puhastada vajaduse järgi	Pöörduda tehnilise abi keskuse poole
Põlemiskamber	Puhastada vajaduse järgi	Pöörduda tehnilise abi keskuse poole

## 12. RIKKEPÕHJUSTE KINDLAKSTEGEMINE

RIKE	VÕIMALIK PÕHJUS	VÕIMALIK LAHENDUS
Soojendi ei käivitu või ei jää käima	<ol style="list-style-type: none"> <li>Käivituslülitil on asendis „0”</li> <li>Toide puudub</li> <li>Toitejuhe on katki</li> <li>Elektronika on blokeeritud või rikkis</li> <li>Ruumitermostaat (kui see on olemas) on valesti seadistatud</li> <li>Kütuse puudumine</li> <li>Võõraine olemasolu kütuseringluses</li> </ol>	<ol style="list-style-type: none"> <li>Seadke süütelüliti asendisse „LEEK” (A JOONISED 5)</li> <li>Ühendada toitejuhe õigesti elektrivõrku (JONIS 4)</li> <li>Veenduda, et seadme voolupinge on nõuetekohane</li> <li>Pöörduda tehnilise abi keskuse poole</li> <li>Lähtestada soojendi (VT PUNKTI 7.2)</li> <li>Pöörduda tehnilise abi keskuse poole</li> <li>Reguleerida ruumitermostaadi temperatuur kõrgemaks kui töökeskkonna temperatuur (JONIS 6)</li> <li>Täita paak uuesti kütusega ja vajaduse korral lähtestada soojendi</li> <li>Tühjendada kütusepaak ja täita see puhta kütusega (VT PUNKTI 9)</li> <li>Puhastada filtrid (VT PUNKTI 8)</li> <li>Pöörduda tehnilise abi keskuse poole</li> </ol>
Soojendist eraldub töötamise ajal suitsu	<ol style="list-style-type: none"> <li>Võõraine olemasolu kütuseringluses</li> <li>Takistus õhu sissevooluava ees</li> <li>Vale õhuvarustus</li> </ol>	<ol style="list-style-type: none"> <li>Tühjendada kütusepaak ja täita see puhta kütusega (VT PUNKTI 9)</li> <li>Puhastada filtrid (VT PUNKTI 8)</li> <li>Pöörduda tehnilise abi keskuse poole</li> <li>Eemaldada kõik võimalikud takistused õhu sissevooluava eest</li> <li>Reguleerige soojapuhuri tagaküljel oleva ventilaatori all asuvat õhupumbalüliti (vasakule poole õhupump suletakse, paremale poole õhupump avatakse)</li> </ol>
Soojendi ei lülitu välja	<ol style="list-style-type: none"> <li>Elektronika on rikkis</li> </ol>	<ol style="list-style-type: none"> <li>Pöörduda tehnilise abi keskuse poole</li> </ol>

**IMPORTANT: CITIȚI CU ATENȚIE ACEST MANUAL ÎNAINTE DE A ANSAMBLA, DE A PUNE ÎN FUNCȚIUNE ȘI DE A ÎNTREȚINERE ACEST APARAT DE ÎNCĂLZIRE. FOLOSIREA GREȘITĂ A APARATULUI DE ÎNCĂLZIRE POATE DUCE LA RĂNIRI GRAVE SAU FATALE. PĂSTRAȚI ACEST MANUAL CA ȘI MATERIAL DE REFERINȚĂ.**


## **1. DESCRIERE**

Această serie de aparate pentru încălzirea aerului este indicată în mod deosebit pentru încălzirea încăperilor sau a spațiilor cu dimensiuni medii și mari. Aparatele cu încălzire indirectă (FIG. 1), datorită unui schimbător de căldură, permit separarea gazelor rezultate în urma combustiei de aerul cald cedat ambientului. În acest fel este posibilă introducerea unui curent de aer cald curat în încăperea care urmează să fie încălzită și direcționarea spre exterior a gazelor de ardere.

Aceste aparate pentru încălzirea aerului au fost proiectate conform celor mai moderne standarde de siguranță, funcționalitate și durată. Dispozitivele de siguranță asigură întotdeauna funcționarea corectă a aparatului de încălzire.

## **2. INFORMAȚII PRIVIND SIGURANȚA**

### **AVERTISMENTE**

 **IMPORTANT:** Acest aparat nu este adecvat pentru a fi folosit de către persoane (inclusiv copii) cu capacități fizice, senzoriale sau mentale reduse sau de către persoane inexperpte, cu excepția cazului în care sunt supravegheate de către o persoană responsabilă de siguranța lor. Supravegheați copiii pentru a vă asigura că nu se joacă cu aparatul.

 **PERICOL:** Asfixierea cu oxid de carbon poate fi fatală.

Primele simptome ale intoxicației cu oxid de carbon sunt asemănătoare cu cele ale gripei: dureri de cap, amețeli și/sau greață. Aceste simptome pot fi provocate de funcționarea defectuoasă a aparatului. **ÎN CAZUL ÎN CARE SE PREZINTĂ ACESTE SIMPTOME IEȘIȚI IMEDIAT LA AER și apelați serviciul de asistență tehnică pentru reparația aparatului.**

### **▶▶ 2.1. ALIMENTARE:**

- ▶▶ 2.1.1. Personalul responsabil cu alimentarea aparatului trebuie să fie calificat și să cunoască foarte bine instrucțiunile producătorului și normele în vigoare cu privire la alimentarea în condiții de siguranță a aparatelor de încălzire.
- ▶▶ 2.1.2. Utilizați numai tipul de combustibil indicat în mod specific pe plăcuța de identificare a aparatului de încălzire.
- ▶▶ 2.1.3. Înainte de a alimenta aparatul, opriți-l și așteptați să se răcească.

- ▶▶ 2.1.4. Cisternele de depozitare a combustibilului trebuie păstrate într-o clădire separată.
- ▶▶ 2.1.5. Toate recipientele cu combustibil trebuie să fie păstrate la distanța minimă de siguranță indicată de normele în vigoare.
- ▶▶ 2.1.6. Combustibilul trebuie păstrat în încăperi în care pardoseala nu permite penetrarea și scurgerea acestuia pe flăcări; acest lucru poate provoca aprinderea combustibilului.
- ▶▶ 2.1.7. Păstrarea combustibilului trebuie făcută conform normelor în vigoare.
- ▶▶ **2.2. SIGURANȚA:**
- ▶▶ 2.2.1. Nu utilizați niciodată aparatul de încălzire în încăperi în care se află benzină, solvenți pentru vopsele sau alți vapori puternic inflamabili.
- ▶▶ 2.2.2. În timpul utilizării aparatului de încălzire respectați toate legile locale și normele în vigoare.
- ▶▶ 2.2.3. Aparatele utilizate în apropierea prelatelor sau al altor materiale folosite pentru acoperire, trebuie amplasate la distanță de siguranță față de acestea. Se recomandă utilizarea materialelor pentru acoperire de tip ignifug.
- ▶▶ 2.2.4. Utilizați numai în zone bine aerisite. Pregătiți o deschizătură adecvată, conform normelor în vigoare, pentru a aspira aer proaspăt din exterior.
- ▶▶ 2.2.5. Alimentați aparatul de încălzire numai cu curent cu tensiunea și frecvența indicate pe plăcuța de identificare a acestuia.
- ▶▶ 2.2.6. Utilizați numai prelungitoare legate la masă în mod adecvat.
- ▶▶ 2.2.7. Distanțele minime de siguranță recomandate care trebuie respectate între aparatul de încălzire și substanțele inflamabile sunt: în partea anterioară = 2,5 m; în partea laterală, sus și în spate = 1,5 m.
- ▶▶ 2.2.8. Așezați aparatul cald sau în funcțiune, pe o suprafață stabilă și dreaptă, pentru a preveni riscurile de incendiu.
- ▶▶ 2.2.9. Țineți animalele la distanță de siguranță față de aparatul de încălzire.
- ▶▶ 2.2.10. Deconectați aparatul de la rețeaua de alimentare când nu îl folosiți.
- ▶▶ 2.2.11. Când este controlat de un termostat, aparatul de încălzire poate porni în orice moment.
- ▶▶ 2.2.12. Nu utilizați aparatul de încălzire în încăperi locuite sau în dormitoare.

- ▶ 2.2.13. Este strict interzisă blocarea prizei de aer sau gura de ieșire a aerului (partea anterioară) a aparatului de încălzire.
- ▶ 2.2.14. Când aparatul este cald, sau conectat la rețeaua electrică sau este în funcțiune, acesta nu trebuie mutat, manipulat sau supus operațiilor de întreținere.
- ▶ 2.2.15. Direcționați aerul cald la intrare și/sau ieșire folosind numai kit-uri originale (unde este prevăzut).
- ▶ 2.2.16. Păstrați materialele inflamabile sau termolabile (inclusiv cablul de alimentare) la distanță de siguranță față de părțile calde ale aparatului de încălzire.
- ▶ 2.2.17. În cazul în care cablul de alimentare este deteriorat, acesta trebuie înlocuit de serviciul de asistență tehnică pentru a preveni orice risc.

### 3. DEZAMBALAREA

**AVERTISMENT:** Materialul folosit pentru ambalare nu este o jucărie pentru copii. Nu păstrați pungă din plastic la îndemâna copiilor; pericol de sufocare!

- ▶ 3.1. Înlăturați toate materialele utilizate pentru ambalarea și expedierea aparatului de încălzire. Eliminați aceste materiale conform normelor în vigoare.
- ▶ 3.2. În cazul în care aparatul de încălzire este amplasat pe o platformă, manipulați-l cu delicatețe.
- ▶ 3.3. Verificați imediat dacă aparatul a suferit daune în timpul transportului. În cazul în care aparatul de încălzire pare deteriorat, informați imediat agentul de vânzare de la care a fost cumpărat.

### 4. ASAMBLAREA

Aceste aparate de încălzire sunt dotate cu roți, mâner și coș de fum, în funcție de model (FIG. 2). Aceste componente și șuruburile pentru montare se află în ambalajul aparatului de încălzire.

### 5. COMBUSTIBIL

**AVERTISMENT:** Aparatul de încălzire funcționează numai cu combustibil DIESEL sau KEROSEN.

Utilizați numai combustibil diesel sau kerosen pentru a evita riscurile de incendiu sau explozie. Nu utilizați niciodată benzină, naftă, solvenți pentru vopsele, alcool sau alți combustibili puternic inflamabili. Utilizați aditivi antigel netoxici în cazul temperaturilor foarte joase.

Se recomandă folosirea motorinei de iarnă în cazul temperaturilor sub 5°C.

## 6. PRINCIPII DE FUNCȚIONARE

**A.** Cameră și cap de combustie, **B.** Ventilator, **C.** Motor, **D.** Pompă, **E.** Rezervor, **F.** Coș de fum.

Pompa aspiră combustibilul din rezervor și îl duce la presiunea de funcționare. Combustibilul este direcționat către duza care îl pulverizează în camera de combustie. Combustia are loc prin intermediul amestecului aer/combustibil, iar produsele rezultate în urma combustiei sunt împinse în exterior prin intermediul fluxului de aer generat de rotația ventilatorului. În cazul modelelor cu încălzire directă produsele rezultate în urma combustiei sunt eliberate în mediul încălzit, în timp ce în cazul modelelor cu încălzire indirectă produsele rezultate în urma combustiei pot fi direcționate spre exteriorul mediului încălzit, prin intermediul conductelor de direcționare. O serie de senzori, conectați la o placă electronică de control verifică în mod constant funcționarea corectă a aparatului de încălzire și întrerup ciclul în caz de anomalii.

## 7. FUNCȚIONARE

**AVERTISMENT:** Citiți cu atenție paragraful "INFORMAȚII PRIVIND SIGURANȚA", înainte de a porni aparatul.

### ▶▶ 7.1. PORNIREA APARATULUI DE ÎNCĂLZIRE:

- ▶ 7.1.1. Respectați toate instrucțiunile cu privire la siguranță.
- ▶ 7.1.2. Controlați prezența combustibilului în rezervor.
- ▶ 7.1.3. Închideți capacul rezervorului (FIG. 3).
- ▶ 7.1.4. Conectați ștecherul de alimentare la rețeaua electrică (FIG. 4) (VEZI VALOAREA TENSIUNII ÎN „TABELUL CU DATE TEHNICE”).
- ▶ 7.1.5. Duceți întrerupătorul de pornire în poziție „FLACĂRĂ” (A FIG. 5). Aparatul de încălzire ar trebui să pornească în câteva secunde. Dacă aparatul de încălzire nu pornește, consultați paragraful „12. IDENTIFICAREA PROBLEMELOR”.
- ▶ 7.1.6. Pentru a obține puterea maximă, poziționați întrerupătorul de putere în poziția „FLACĂRĂ DUBLĂ” (B FIG. 5).
- ▶ 7.1.7. Aparatul de încălzire poate fi utilizat în modalitatea ventilare; pentru a activa această funcție, poziționați întrerupătorul de pornire în poziția „VENTILATOR” (A FIG. 5).
- ▶ 7.1.8. În cazul modelelor cu termostat ambient, verificați temperatura setată (FIG. 6).

**N.B.:** ÎN CAZUL OPRIRII APARATULUI DE ÎNCĂLZIRE DATORITĂ TERMINĂRII COMBUSTIBILULUI, ALIMENTĂRII REZERVORUL ȘI RESETAȚII APARATUL DE ÎNCĂLZIRE (VEZI PARAG. 7.2.).

**IMPORTANT:** În cazul modelelor cu încălzire indirectă, produsele rezultate în urma combustiei pot fi direcționate spre exterior. **REALIZAȚI SISTEMUL DE DIRECȚIONARE CONFORM PREVEDERILOR NORMELOR ÎN VIGOARE ȘI RESPECTAȚI INDICAȚIILE DIN SECȚIUNEA CORESPUNZĂTOARE A MANUALULUI.**

### ▶▶ 7.2. RESETAREA APARATULUI DE ÎNCĂLZIRE:

În cazul în care apar anomalii în timpul funcționării normale a aparatului, acesta se blochează. Când pe butonul reset este aprins indicatorul roșu fix (FIG. 7), înseamnă că aparatul de încălzire trebuie resetat. Pentru a reseta aparatul de încălzire apăsați până la capăt butonul reset (FIG. 8). Înainte de a repune în funcțiune aparatul, trebuie să identificați și să eliminați cauza care a dus la apariția blocajului (de exemplu înfundarea prizei de aer de la intrare și/ sau cea de trimitere a aerului, oprirea ventilatorului, etc.). În cazul în care nu reușiți să eliminați problema care a dus la apariția blocajului, apăsați la centrul de asistență tehnică.

### ▶▶ 7.3. OPRIREA APARATULUI DE ÎNCĂLZIRE:

Duceți întrerupătorul "I/O" în poziție "0" (A FIG. 5). Flacăra se stinge, iar ventilatorul continuă să funcționeze până la răcirea completă a camerei de combustie. **Nu scoateți ștecherul din priză până la încheierea ciclului de răcire.**

## **8. CURĂȚAREA FILTRELOR**

**ÎN FUNCȚIE DE CALITATEA COMBUSTIBILULUI UTILIZAT, POATE FI NECESARĂ CURĂȚAREA FILTRELOR:**

### ▶▶ 8.1. FILTRU DE ALIMENTARE (FIG. 9):

- ▶▶ 8.1.1. Înlăturați capacul (A) rezervorului.
- ▶▶ 8.1.2. Scoateți filtrul (B) din rezervor.
- ▶▶ 8.1.3. Curățați filtrul (B) cu combustibil curat, fiind atenți să nu îl deteriorați.
- ▶▶ 8.1.4. Montați la loc filtrul (B) în rezervor.
- ▶▶ 8.1.5. Închideți capacul (A).

### ▶▶ 8.2. FILTRU DE ASPIRAȚIE (FIG. 10) ÎN FUNCȚIE DE MODEL:

- ▶▶ 8.2.1. Înlăturați cupa (A).
- ▶▶ 8.2.2. Scoateți filtrul (B) din cupă fiind atenți să păstrați cu grijă garniturile.
- ▶▶ 8.2.3. Curățați filtrul (B) cu combustibil curat, fiind atenți să nu îl deteriorați.
- ▶▶ 8.2.4. Montați la loc filtrul (B) în cupă.
- ▶▶ 8.2.5. Montați la loc cupa (A) fiind atenți să montați corect garniturile.

### ▶▶ 8.3. FILTRU POMPĂ COMBUSTIBIL:

Vezi programul de întreținere preventivă.

## **9. PĂSTRARE ȘI TRANSPORT**

**AVERTISMENT:** Înainte de a muta aparatul de încălzire acesta trebuie oprit (VEZI PARAG. 7.3.), întrerupeți alimentarea cu energie electrică: scoateți ștecherul din priză (FIG. 11), așteptați răcirea completă a aparatului de încălzire și verificați capacul rezervorului: acesta trebuie să fie bine închis pentru a preveni scurgerea combustibilului. Atunci când se manipulează aparatul de încălzire, mențineți-l în poziție orizontală.

**PENTRU PĂSTRAREA ÎN BUNE CONDIȚII A APARATULUI DE ÎNCĂLZIRE, RESPECTAȚI URMĂTOAREA PROCEDURĂ:**

- ▶▶ 9.1. Goliți rezervorul de combustibil după ce ați înlăturat capacul de descărcare amplasat pe fundul rezervorului (FIG. 12). Eliminați combustibilul în mod adecvat și conform normelor în vigoare.
- ▶▶ 9.2. Dacă observați reziduuri, vărsați combustibil curat în rezervor și apoi descărcați din nou.
- ▶▶ 9.3. Închideți capacul de golire și cel al rezervorului.
- ▶▶ 9.4. Pentru păstrarea în bune condiții a aparatului de încălzire se recomandă păstrarea acestuia la loc uscat și protejat împotriva factorilor externi.

## **10. CONECTAREA TERMOSTATULUI AMBIENT**

În cazul modelelor pregătite pentru conectarea termostatalui, înlăturați capacul aplicat pe aparatul de încălzire și conectați termostatul ambient (opțional) (FIG. 13-14).

**AVERTISMENT: ÎNAINTE DE A EFECTUA ORICE OPERAȚIE DE ÎNTREȚINERE SAU REPARAȚIE, DECONECTAȚI CABLUL DE ALIMENTARE DE LA REȚEAUA ELECTRICĂ ȘI ASIGURAȚI-VĂ CA APARATUL DE ÎNCĂLZIRE SĂ FIE RECE.**

## 11. PROGRAM DE ÎNTREȚINERE PREVENTIVĂ

COMPONENTĂ	FRECUENȚA MANUTENȚIUNII	PROCEDURA MANUTENȚIUNII
Rezervor de combustibil	Curățați o dată pe an sau în funcție de necesități	Goliți și clătiți rezervorul cu combustibil curat (VEZI PARAG. 9.)
Filtre	Curățați sau înlocuiți o dată pe an (sau în funcție de necesități verificați integritatea acestuia)	Curățați filtrele (VEZI PARAG. 8.)
Filtru pompă combustibil	Curățați sau înlocuiți o dată pe an (sau în funcție de necesități verificați integritatea acestuia)	Adresați-vă centrului de asistență tehnică
Filtru pompă combustibil	Curățați în funcție de necesități	Adresați-vă centrului de asistență tehnică
Ventilator	Curățați în funcție de necesități	Adresați-vă centrului de asistență tehnică
Camera de combustie	Curățați în funcție de necesități	Adresați-vă centrului de asistență tehnică

## 12. IDENTIFICAREA PROBLEMELOR

PROBLEMĂ	CAUZA POSIBILĂ	SOLUȚIA POSIBILĂ
Aparatul de încălzire nu pornește sau nu rămâne pornit	<ol style="list-style-type: none"> <li>Întreprătorul de pornire este în poziție "0"</li> <li>Lipsă alimentare</li> <li>Cablu de alimentare întrerupt</li> <li>Ansamblu electronic blocat sau defect</li> <li>Setare eronată a termostatului ambient (dacă este prevăzut)</li> <li>Lipsă combustibil</li> <li>Prezența unor substanțe străine în circuitul de combustibil</li> </ol>	<ol style="list-style-type: none"> <li>Duceți întreprătorul de pornire în poziție „FLACĂRĂ” (A FIG. 5)</li> <li>Introduceți corect cablul de alimentare în priza electrică (FIG. 4)</li> <li>Verificați tensiunea corectă a instalației dvs</li> <li>Adresați-vă centrului de asistență tehnică</li> <li>Resetați aparatul de încălzire (VEZI PARAG. 7.2.)</li> <li>Adresați-vă centrului de asistență tehnică</li> <li>Acționați asupra termostatului ambient: setați-l la o temperatură mai mare decât cea a mediului de lucru (FIG. 6)</li> <li>Alimentați cu combustibil și resetați aparatul dacă este nevoie</li> <li>Goliți și umpleți rezervorul cu combustibil curat (VEZI PARAG. 9.)</li> <li>Curățați filtrele (VEZI PARAG. 8.)</li> <li>Adresați-vă centrului de asistență tehnică</li> </ol>
Aparatul de încălzire produce fum în timpul funcționării	<ol style="list-style-type: none"> <li>Există substanțe străine în circuitul de combustibil</li> <li>Blocarea prizei de aer aflate la intrare</li> <li>Admisie de aer incorectă</li> </ol>	<ol style="list-style-type: none"> <li>Goliți și umpleți rezervorul cu combustibil curat (VEZI PARAG. 9.)</li> <li>Curățați filtrele (VEZI PARAG. 8.)</li> <li>Adresați-vă centrului de asistență tehnică</li> <li>Înlăturați toate blocajele prizei de aer</li> <li>Reglați clapeta de aer poziționată sub ventilator în partea posterioară a aparatului de încălzire (spre stânga clapeta se închide, spre dreapta clapeta se deschide)</li> </ol>
Aparatul de încălzire nu se oprește	<ol style="list-style-type: none"> <li>Ansamblu electronic defect</li> </ol>	<ol style="list-style-type: none"> <li>Adresați-vă centrului de asistență tehnică</li> </ol>



**DÔLEŽITÉ: PREČÍTAJTE A POCHOPTTE TENTO NÁVOD PREDTÝM, NEŽ PRISTÚPITE K MONTÁŽI, UVEDENIU DO PREVÁDZKY ALEBO ÚDRŽBE TOHTO OHRIEVAČA. NESPRÁVNE POUŽITIE OHRIEVAČA MÔŽE MAŤ ZA NÁSLEDOK VÁŽNE ZRANENIE ALEBO SMRŤ. UCHOVAJTE TENTO NÁVOD PRE BUDÚCE POUŽITIE.**

## **1. POPIS**


Táto séria teplovzdušných ohrievačov je vhodná najmä pre vykurovanie stredne veľkých alebo veľkých miestností alebo priestorov.

Ohrievače s nepriamym vykurovaním (OBR. 1) vďaka výmenníku tepla umožňujú oddeliť spaliny od teplého vzduchu, ktorý sa uvoľňuje do okolitého prostredia. Týmto spôsobom je možné privádzať prúd čistého teplého vzduchu do miestnosti určenej na vykurovanie a odvádzať spaliny do vonkajšieho prostredia.

Tieto teplovzdušné ohrievače boli navrhnuté v súlade s najmodernejšími štandardmi bezpečnosti, funkčnosti a prevádzkovej životnosti. Bezpečnostné zariadenia vždy zaisťujú správnu prevádzku ohrievača.

## **2. BEZPEČNOSTNÉ INFORMÁCIE**

### **UPOZORNENIE**

 **DÔLEŽITÉ:** Tento spotrebič nie je určený na používanie osobami (vrátane detí) so zníženými fyzickými, zmyslovými alebo duševnými schopnosťami, alebo neskúsenými osobami, pokiaľ nie sú pod dohľadom osoby zodpovednej za ich bezpečnosť. Deti musia byť pod dozorom, aby sa zaistilo, že sa nebudú s prístrojom hrať.

 **NEBEZPEČENSTVO:** Udusenie oxidom uhoľnatým môže byť fatálne.

Prvé príznaky dusenia oxidom uhoľnatým sa podobajú chrípke, s bolesťami hlavy, závratmi a / alebo nevoľnosťou. Tieto príznaky môžu byť spôsobené nesprávnym fungovaním ohrievača. V PRÍPADE VÝSKYTU TÝCHTO PRÍZNAKOV OKAMŽITE VYJDITE VON Z MIESTNOSTI a nechajte opraviť prístroj v technickom servisnom stredisku.

### **▶▶ 2.1. TANKOVANIE:**

▶▶ 2.1.1. Pracovníci zodpovední za čerpanie pohonných hmôt musia byť kvalifikovaní a plne oboznámení s pokynmi výrobcu a platnými predpismi, ktoré sa vzťahujú k bezpečnosti zásobovania vykurovacích telies.

▶ 2.1.2. Používajte iba typ paliva výslovne uvedený na typovom štítku ohrievača.

▶ 2.1.3. Pred dopĺňovaním paliva vypnite ohrievač a nechajte ho vychladnúť.

▶ 2.1.4. Nádrže na skladovanie paliva musia byť umiestnené v samostatnom objekte.

▶ 2.1.5. Všetky palivové nádrže musia byť v minimálnej bezpečnej vzdialenosti od ohrievača, v súlade s platnými normami.

▶ 2.1.6. Palivo musí byť skladované v miestnostiach, ktorých podlaha neumožňuje prienik a musí byť zamedzené kvapkaniu paliva na plamene, ktoré môžu spôsobiť jeho vznietenie.

▶ 2.1.7. Skladovanie paliva musí byť vykonané v súlade s miestnymi predpismi.

### **▶▶ 2.2. BEZPEČNOSŤ:**

▶ 2.2.1. Nikdy nepoužívajte ohrievač v miestnosti, v ktorej sa vyskytuje benzín, riedidlá alebo iné vysoko horľavé výpary.

▶ 2.2.2. Počas používania prístroja dodržujte všetky miestne predpisy a platné normy.

▶ 2.2.3. Ohrievače používané v blízkosti plachiet, stanov a iných podobných krycích materiálov musia byť umiestnené v bezpečnej vzdialenosti od nich. Odporúča sa používať ohňovzdorné krycie materiály.

▶ 2.2.4. Používajte iba v dobre vetraných priestoroch. Postarajte sa o zabezpečenie adekvátneho otvoru, v súlade s predpismi, pre prívod čerstvého vzduchu z vonkajšieho prostredia.

▶ 2.2.5. Napájajte ohrievač iba prúdom s napätím a frekvenciou, ako je uvedené na typovom štítku.

▶ 2.2.6. Používajte iba riadne uzemnené predlžovacie šnúry.

▶ 2.2.7. Odporúčené minimálne bezpečnostné vzdialenosti medzi ohrievačom a horľavými materiálmi sú: predný výstup = 2,5 m; bočný, horný a zadný = 1,5 m.

▶ 2.2.8. Umiestnite teplý ohrievač, alebo ohrievač v prevádzke na pevný a rovný povrch, aby sa zabránilo nebezpečenstvu vzniku požiaru.

▶ 2.2.9. Udržujte domáce zvieratá v bezpečnej vzdialenosti od ohrievača.

▶ 2.2.10. Keď prístroj nepoužívate, odpojte ho od elektrickej siete.

- ▶ **2.2.11. Ak je ohrievač riadený termostatom, môže sa kedykoľvek zapnúť.**
- ▶ **2.2.12. Nikdy nepoužívajte ohrievač v často obývaných miestnostiach, ani v spálňach.**
- ▶ **2.2.13. Nikdy neblokujte nasávací otvor vzduchu alebo odvádzací otvor vzduchu (predná časť) ohrievača.**
- ▶ **2.2.14. Keď je ohrievač teplý, zapojený do elektrickej siete alebo v prevádzke, nesmie sa nikdy premiestňovať, manipulovať, dopĺňovať palivom alebo vykonávať na ňom akékoľvek údržbárske zásahy.**
- ▶ **2.2.15. Vyhnite sa použitiu potrubí na prívod/odvod vzduchu s výnimkou originálnych súprav (tam, kde sa predpokladajú).**
- ▶ **2.2.16. Dodržujte bezpečnú vzdialenosť teplých častí ohrievača od horľavých alebo termolabilných materiálov (vrátane napájacieho kábla).**
- ▶ **2.2.17. Ak je napájací kábel poškodený, musí byť vymenený servisnou technickou službou, aby sa predišlo akémukoľvek riziku.**

### 3. ROZBALENIE

**UPOZORNENIE:** Obalový materiál nie je hračkou pre deti. Uchovávajte plastový sáčik mimo dosahu detí, nebezpečenstvo udusenía!

- ▶ **3.1.** Odstráňte všetky obalové materiály použité pre balenie a expedíciu ohrievača. Likvidujte v súlade s platnými predpismi.
- ▶ **3.2.** Usunáč wytłuszczzenie je ohrievač umiestnený na podstavci, opatrne ho z neho zložte.
- ▶ **3.3.** Skontrolujte prípadné škody vzniknuté počas prepravy. Ak sa vám zdá ohrievač poškodený, okamžite informujte predajcu, u ktorého bol zakúpený.

### 4. MONTÁŽ

Tieto ohrievače sú štandardne vybavené kolieskami, rukoväťou a dymovodom v závislosti od modelu (OBR. 2). Tieto komponenty, spolu s príslušnými skrutkami, sa nachádzajú v balení ohrievačom.

### 5. PALIVO

**UPOZORNENIE:** Ohrievač pracuje iba s NAFTOU alebo ELTO.

Používajte iba naftu alebo elto, aby sa zabránilo nebezpečenstvu vzniku požiaru alebo výbuchu. Nikdy nepoužívajte benzín, surovú naftu (ropu), riedidlá na farby, alkohol a iné palivové vysoko horľavé látky.

V prípade použitia v podmienkach s nízkou teplotou používajte netoxické prídavky proti zamrznutiu. Odporúča sa použiť zimnú naftu pri teplotách pod 5°C.

## 6. PRINCÍPY FUNGOVANIA

**A.** Spaľovacia komora a horák, **B.** Ventilátor, **C.** Motor, **D.** Čerpadlo, **E.** Nádrž, **F.** Adaptér dymovodu.

Čerpadlo nasáva palivo z nádrže pri prevádzkovom tlaku. Palivo je privádzané do trysky, ktorá ho rozprašuje v spaľovacej komore. Spaľovanie prebieha pomocou zmesi vzduch/palivo a jeho produkty sú odvádzané von prúdom vzduchu, ktorý je generovaný rotáciou ventilátora. U modelov s priamym vykurovaním sú produkty spaľovania odvádzané do vykurovaného prostredia, zatiaľ čo u modelov s nepriamym vykurovaním môžu byť produkty spaľovania odvádzané do vonkajšieho prostredia prostredníctvom vhodného systému potrubí. Sériá senzorov, zapojených na kontrolnú elektronickú kartu, neustále sleduje správne fungovanie ohrievača a v prípade anomálie ho okamžite zastaví.

## 7. FUNGOVANIE

**UPOZORNENIE:** Pred zapnutím ohrievača si pozorne prečítajte "INFORMÁCIE O BEZPEČNOSTI".

### ▶▶ 7.1. SPUSTENIE OHRIEVAČA:

- ▶ 7.1.1. Dodržujte všetky bezpečnostné pokyny.
- ▶ 7.1.2. Skontrolujte prítomnosť paliva v nádrži.
- ▶ 7.1.3. Zatvorte viečko nádrže (OBR. 3).
- ▶ 7.1.4. Pripojte napájací kábel k elektrickej sieti (OBR. 4) (VIĎ NAPÄTIE V „TABUĽKE S TECHNICKÝMI ÚDAJMI“).
- ▶ 7.1.5. Umiestnite vypínač zapnutia do polohy „PLAMENĽ“ (A OBR. 5). Ohrievač by sa mal zapnúť behom niekoľkých sekúnd. Ak sa ohrievač nespustí, konzultujte odstavec „12. URČENIE PROBLÉMU“.
- ▶ 7.1.6. Pre dosiahnutie maximálneho výkonu umiestnite vypínač napájania do polohy „DVOJITÝ PLAMENĽ“ (B OBR. 5).
- ▶ 7.1.7. Ohrievač môže byť použitý v režime ventilácie, k aktivácii tejto funkcie umiestnite vypínač zapnutia do polohy „VENTILÁTOR“ (A OBR. 5).
- ▶ 7.1.8. U modelov s termostatom prostredia skontrolujte nastavenú teplotu (OBR. 6).

**POZN.: V PRÍPADE VYPNUTIA OHRIEVAČA V DÔSLEDKU VYČERPANIA PALIVA DOPLŇTE PALIVO A RESETOUJE OHRIEVAČ (VIĎ Odst. 7.2.).**

**DÔLEŽITÉ:** U modelov s nepriamym vykurovaním je možné odvádzať spaliny do vonkajšieho prostredia. **ZAPOJTE POTRUBIE PODĽA PLATNÝCH PREDPISOV A S REŠPEKTOVANÍM POKYNOV UVEDENÝCH V PRÍSLUŠNEJ ČASTI TOHTO NÁVODU.**

### ►► 7.2. RESET OHRIEVAČA:

V prípade výskytu anomálie počas normálnej prevádzky sa ohrievač zablokuje. Keď sa resetovacie tlačidlo rozsvieti stálym červeným svetlom (OBR. 7), znamená to, že ohrievač musí byť resetovaný. Pre resetovanie ohrievača stlačte až na doraz resetovacie tlačidlo (OBR. 8). Pred opätovným uvedením ohrievača do prevádzky je nutné nájsť a opraviť príčinu, ktorá vygenerovala zablokovanie (napr. obštrukcia prúdenia vzduchu na prívode a/alebo odvode, zastavenie ventilátora, atď.). Ak nie ste schopní vyriešiť problém, ktorý spôsobil zablokovanie, kontaktujte servisné stredisko.

### ►► 7.3. VYPNUTIE OHRIEVAČA:

Umiestnite vypínač "I/O" do polohy "0" (A OBR. 5). Plameň zhasne a ventilátor beží až do úplného ochladenia spaľovacej komory. **Neodpojujte z prúdovej zásuvky až do úplného dokončenia chladiaceho cyklu.**

## 8. ČISTENIE FILTROV

**V ZÁVISLOSTI OD POUŽÍVANÉHO PALIVA MÔŽE BYŤ POTREBNÉ PREČISTENIE FILTROV:**

### ►► 8.1. PLNIACI FILTER (OBR. 9):

- 8.1.1. Odstráňte viečko (A) nádrže.
- 8.1.2. Vytiahnite filter (B) z nádrže.
- 8.1.3. Vyčistite filter (B) s čistým palivom, dávajte pozor, aby ste ho nepoškodili.
- 8.1.4. Namontujte filter (B) do nádrže.
- 8.1.5. Zatvorte viečko (A).

### ►► 8.2. SACÍ FILTER (OBR. 10) V

**ZÁVISLOSTI OD MODELU:**

- 8.2.1. Vyberte banku (A).
- 8.2.2. Opatrne vytiahnite filter (B) z banky a uchovajte tesnenie.
- 8.2.3. Vyčistite filter (B) s čistým palivom, dávajte pozor, aby ste ho nepoškodili.
- 8.2.4. Namontujte filter (B) do banky.
- 8.2.5. Opatrne namontujte banku (A) a dbajte na správnu montáž tesnenia.

### ►► 8.3. FILTER PALIVOVÉHO ČERPADLA:

Vid' program preventívnej údržby.

## 9. SKLADOVANIE A PREPRAVA

**UPOZORNENIE:** Pred každým premiestnením je nevyhnutné ohrievač zastaviť (VIĎ Odst. 7.3.), odpojiť od elektrického napájania vytiahnutím zástrčky z prúdovej zásuvky (OBR. 11), počkať na úplné ochladenie ohrievača a uistiť sa, že viečko nádrže je pevne zatvorené, aby nedochádzalo k úniku paliva. Manipulujte s ohrievačom vždy vo vodorovnej polohe.

**PRE ČO NAJLEPŠIE UCHOVÁVANIE A PREPRAVU OHRIEVAČA SA ODPORUČA DODRŽIAVAŤ NASLEDUJÚCE POKYNY:**

- 9.1. Vyprázdňte palivovú nádrž odstránením vypúšťacej zátky na dne nádrže (OBR. 12). Zlikvidujte palivo vhodným spôsobom a v súlade s platnými predpismi.
- 9.2. Ak sa vo vnútri nádrže nachádzajú nečistoty, naplňte nádrž čistým palivom a potom ju opäť vyprázdňte.
- 9.3. Zatvorte vypúšťaciu zátku a viečko nádrže.
- 9.4. Pre čo najlepšie uchovanie ohrievača sa odporúča skladovať ho na suchom mieste a chrániť pred možným poškodením.

## 10. PRIPOJENIE IZBOVEHO TERMOSTATU

U modelov vybavených pripojením termostatu odstráňte kryt pripojený k ohrievaču a pripojte izbový termostat (voliteľné príslušenstvo) (OBR. 13-14).

**UPOZORNENIE: PRED VYKONANÍM AKEJKOL'VEK ÚDRŽBY ALEBO OPRAVY ODPOJTE NAPÁJACÍ KÁBEL Z ELEKTRICKEJ SIETE A UBEZPEČTE SA, ŽE OHRIEVAČ JE STUDENÝ.**

## 11. PROGRAM PREVENTÍVNEJ ÚDRŽBY

KOMPONENT	FREKVENCIA ÚDRŽBY	POSTUP ÚDRŽBY
Nádrž na palivo	Vyčistite raz za rok alebo podľa potreby	Vyprázdnite a opláchnite nádrž čistým palivom (VIĎ ODST. 9.)
Filtre	Vyčistite alebo vymeňte raz za rok alebo podľa potreby (kontrola integrity)	Vyčistite filtre (VIĎ ODST. 8.)
Filter palivového čerpadla	Vyčistite alebo vymeňte raz za rok alebo podľa potreby (kontrola integrity)	Obráťte sa na technické servisné stredisko
Elektródy	Vyčistite podľa potreby	Obráťte sa na technické servisné stredisko
Ventilátor	Vyčistite podľa potreby	Obráťte sa na technické servisné stredisko
Spaľovacia komora	Vyčistite podľa potreby	Obráťte sa na technické servisné stredisko

## 12. URČENIE PROBLÉMU

PROBLÉM	MOŽNÁ PRÍČINA	MOŽNÉ RIEŠENIE
Ohrievač sa nespustí alebo nezostane zapnutý	<ol style="list-style-type: none"> <li>Vypínač zapalovania je v polohe "0"</li> <li>Chýba napájanie</li> <li>Pripojovací kábel prerušený</li> <li>Elektronika zablokovaná alebo vadná</li> <li>Nesprávne nastavenie izboveho termostatu (pokiaľ existuje)</li> <li>Nedostatok paliva</li> <li>Prítomnosť cudzích telies v palivovom okruhu</li> </ol>	<ol style="list-style-type: none"> <li>Umiestnite vypínač zapnutia do polohy „PLAMEN“ (A OBR. 5)</li> <li>2a. Správne zasunite napájací kábel do zásuvky (OBR. 4)</li> <li>2b. Skontrolujte správne napätie vášho zariadenia</li> <li>3. Obráťte sa na technické servisné stredisko</li> <li>4a. Resetujte ohrievač (VIĎ ODST. 7.2.)</li> <li>4b. Obráťte sa na technické servisné stredisko</li> <li>5. Pôsobte na izbový termostat a nastavte ho na teplotu vyššiu, než je pracovné prostredie (OBR. 6)</li> <li>6. Doplnite palivo a prípadne resetujte ohrievač</li> <li>7a. Vyprázdnite a naplňte nádrž čistým palivom (VIĎ ODST. 9.)</li> <li>7b. Vyčistite filtre (VIĎ ODST. 8.)</li> <li>7c. Obráťte sa na technické servisné stredisko</li> </ol>
Ohrievač generuje dym počas prevádzky	<ol style="list-style-type: none"> <li>Prítomnosť cudzích telies v palivovom okruhu</li> <li>Prekážky v otvore prívodu vzduchu</li> <li>Nesprávny prívod vzduchu</li> </ol>	<ol style="list-style-type: none"> <li>1a. Vyprázdnite a naplňte nádrž čistým palivom (VIĎ ODST. 9.)</li> <li>1b. Vyčistite filtre (VIĎ ODST. 8.)</li> <li>1c. Obráťte sa na technické servisné stredisko</li> <li>2. Odstráňte všetky možné prekážky z otvoru prúdenia vzduchu</li> <li>3. Regulujte vzduchovú klapku umiestnenú pod ventilátorom na zadnej strane ohrievača (smerom doľava sa klapka zavrie, smerom doprava sa klapka otvorí)</li> </ol>
Ohrievač sa nevypne	<ol style="list-style-type: none"> <li>Vadná elektronika</li> </ol>	<ol style="list-style-type: none"> <li>Obráťte sa na technické servisné stredisko</li> </ol>



**ВАЖНО: ТРЯБВА ДА ПРОЧЕТЕТЕ И РАЗБЕРЕТЕ ТОВА ОПЕРАТИВНО РЪКОВОДСТВО, ПРЕДИ ДА ИЗВЪРШИТЕ СГЛОБЯВАНЕТО, ПУСКАНЕТО В ЕКСПЛОАТАЦИЯ ИЛИ ПОДДРЪЖКАТА НА ТОВА УСТРОЙСТВО ЗА ЗАГРЯВАНЕ. ПОГРЕШНАТА УПОТРЕБА НА ОТОПЛИТЕЛНИЯ УРЕД МОЖЕ ДА ПРИЧИНИ ТЕЖКИ ИЛИ ФАТАЛНИ НАРАНЯВАНИЯ. СЪХРАНЯВАЙТЕ ТОВА РЪКОВОДСТВО ЗА ИНФОРМАЦИЯ В БЪДЕЩЕ.**

## **1. ОПИСАНИЕ**

Тази серия отоплителни уреди с горещ въздух се препоръчва специално за затопляне на помещения или пространства със средни или големи размери. Уредите с индиректно горене (ФИГ. 1), благодарение на топлообмена, позволява разделяне на изгорелите газове от горещия въздух, отделен в околната среда. По този начин потокът чист горещ въздух може да се въведе в мястото за отопление, а дима да се отведе навън.

Тези отоплителни уреди с горещ въздух са проектирани според най-модерните критерии за безопасност, функционалност и дълготрайност. Устройствата за безопасност гарантират винаги правилно функциониране на отоплителния уред.

## **2. ИНФОРМАЦИЯ ЗА БЕЗОПАСНОСТТА ПРЕДУПРЕЖДЕНИЯ**



**ВАЖНО:** Този уред не е подходящ за използване от лица (включително деца), с намалени физически, сензорни и умствени способности, неопитни, освен с наблюдение от страна на лице, отговорно за тяхната безопасност. Децата трябва да са под контрол, за да сте сигурни, че не си играят с уреда.



**ОПАСНОСТ:** Асфиксията, причинена от въглероден окис, може да бъде фатална.

Първите симптоми за асфиксия (задушаване) от въглероден окис наподобяват тези на грипа с главоболие, световъртеж и/или гадене. Тези симптоми биха могли да бъдат причинени от дефектна работа на отоплителния уред. **В СЛУЧАЙ НА ПОЯВА НА ТЕЗИ СИМПТОМИ, НЕЗАБАВНО ИЗЛЕЗТЕ НА ОТКРИТО** и дайте отоплителния уред на поправка в сервисния център.

### **▶▶ 2.1. ЗАРЕЖДАНЕ:**

▶ 2.1.1. Отговорният за зареждането персонал трябва да бъде квалифициран и да е добре запознат с инструкциите на производителя и с действащата нормативна уредба по отношение на безопасното зареждане на отоплителните уреди.

▶ 2.1.2. Използвайте само вида гориво, изрично посочен върху идентификационната табела на отоплителния уред.

▶ 2.1.3. Преди да извършите зареждането изключете отоплителния уред и изчакайте той да изстине.

▶ 2.1.4. Цистерните за съхранение на горивото трябва да се намират в отделна конструктивна сграда.

▶ 2.1.5. Всички резервоари за горивото трябва да се намират на необходимото минимално разстояние за безопасност от отоплителния уред, съгласно действащите нормативи.

▶ 2.1.6. Горивото трябва да се съхранява в помещения, чийто под да не позволява проникване и капене на същото върху намиращи се отдолу пламъци, които може да причинят запалването му.

▶ 2.1.7. Съхранението на горивото трябва да се извършва в съответствие с действащата нормативна уредба.

### **▶▶ 2.2. БЕЗОПАСНОСТ:**

▶ 2.2.1. Никога не използвайте отоплителния уред в помещения, в които има бензин, разтворители за бои или други силно запалими вещества.

▶ 2.2.2. По време на използване на отоплителния уред се придържайте към всички местни разпоредби и към действащата нормативна уредба.

▶ 2.2.3. Отоплителните уреди, използвани в близост до платнища, завеси или други подобни материали за покриване трябва да бъдат разположени на безопасно разстояние от тях. Препоръчва се използване на материали за покриване от огнеупорен вид.

▶ 2.2.4. Използвайте само в проветриви помещения. Осигурете подходящ отвор според действащите норми с цел да позволите влизането на чист въздух отвън.

▶ 2.2.5. Захранвайте отоплителния уред само с ток с напрежението и честотата, посочени върху идентификационната табелка.

▶ 2.2.6. Използвайте само подходящи заземенни удължители.

▶ 2.2.7. Препоръчителните минимални безопасни разстояния между отоплителния уред и запалимите вещества са: преден изход = 2,5 м; странично, горе и отзад = 1,5 м.

▶ 2.2.8. Поставете горещия или работещ отоплителен уред върху стабилна и нивелирана повърхност така, че да избегнете рисковете от пожар.

▶ 2.2.9. Дръжте животните на безопасно разстояние от отоплителния уред.

▶ 2.2.10. Изключете отоплителния уред от мрежовия контакт, когато не го използвате.



- ▶ 2.2.11. Когато се управлява от термостат, отоплителният уред може да се стартира във всеки един момент.
- ▶ 2.2.12. Никога не използвайте отоплителния уред в често обитавани стаи, нито в спални.
- ▶ 2.2.13. Никога не блокирайте отвора за въздух, нито изхода на въздуха (предната страна) на отоплителния уред.
- ▶ 2.2.14. Когато отоплителният уред е горещ или е свързан към електрическата мрежа или работи, никога не трябва да бъде преместван, с него да се борави, не може да бъде зареждан, нито подлаган на каквато и да е операция по поддръжка.
- ▶ 2.2.15. Избягвайте да канализирате въздуха на входа и/или на изхода, освен с оригинални комплекти (ако е предвидено).
- ▶ 2.2.16. Поддържайте подходящо разстояние от запалими или термонепостоянни материали (включително захранващия кабел) на горещите части на отоплителния уред.
- ▶ 2.2.17. Ако захранващият кабел е повреден, трябва да бъде подменен от центъра за сервизно обслужване така, че да се предотвратят всякакви рискове.

### 3. РАЗОПАКОВАНЕ

**ПРЕДУПРЕЖДЕНИЕ:** Материалът на опаковката не е детска играчка. Дръжте пластмасовата торбичка на недостъпно за децата място; опасност от задушаване!

- ▶ 3.1. Отстранете всички използвани за опаковката опаковъчни материали от отоплителния уред. Унищожете ги съгласно действащите нормативи.
- ▶ 3.2. В случай, че отоплителният уред е поставен върху постамент, внимателно го спуснете от него.
- ▶ 3.3. Проверете за евентуални щети, настъпили по време на транспортиране. Ако отоплителният уред изглежда повреден, осведомете незабавно доставчика, от който е закупен същият.

### 4. СГЛОБЯВАНЕ

Тези отоплителни уреди разполагат с колела, дръжка и комин в зависимост от модела (ФИГ. 2). Тези компоненти, окомплектовани със съответните монтажни болтове, са поставени в опаковката на отоплителния уред.

### 5. ГОРИВО

**ПРЕДУПРЕЖДЕНИЕ:** Отоплителният уред работи само с ДИЗЕЛ или КЕРОСИН.

Използвайте само дизел или керосин, за да избегнете рискове от пожар или експлозия. Никога не използвайте бензин, нафта, разтворители за бои, алкохол или други високо запалими горива. Използвайте нетоксични антифризни добавки в случай на много ниски температури. Препоръчваме да използвате зимен газьол под 5°C.

## 6. ПРИНЦИПИ НА ФУНКЦИОНИРАНЕ

**А.** Горивна камера и глава, **В.** Перка, **С.** Двигател, **Д.** Помпа, **Е.** Резервоар, **Ф.** Комин.

Помпата всмуква горивото от резервоара, като го трансформира до работното налягане. Горивото се отвежда до дюзата, която го пулверизира в горивната камера. Горенето се осъществява чрез смес от въздух/гориво и продуктите от горенето се изхвърлят навън чрез въздушния поток, генериран от въртенето на перката. В директните модели горивните продукти се изхвърлят в загрялото помещение, докато в индиректните модели горивните продукти може да се отвеждат навън от загрялото помещение чрез коминни тела. Една серия сензори, свързани към контролна електронна схема, непрекъснато проверяват правилното функциониране на отоплителния уред, като спират цикъла в случай на проблеми.

## 7. ДЕЙСТВИЕ

**ПРЕДУПРЕЖДЕНИЕ:** Прочетете внимателно "ИНФОРМАЦИЯТА ЗА БЕЗОПАСНОСТ", преди да включите отоплителния уред.

### ▶▶ 7.1. ЗАПАЛВАНЕ НА ОТОПЛИТЕЛНИЯ УРЕД:

- ▶ 7.1.1. Спазвайте всички инструкции, отнасящи се до безопасността.
- ▶ 7.1.2. Проверете за наличие на гориво в резервоара.
- ▶ 7.1.3. Затворете капачката на резервоара (ФИГ. 3).
- ▶ 7.1.4. Свържете щепсела за захранване към електрическата мрежа (ФИГ. 4) (ВИЖТЕ НАПРЕЖЕНИЕТО В ТАБЛИЦА „ТЕХНИЧЕСКИ ДАННИ“).
- ▶ 7.1.5. Поставете прекъсвача за запалване на положение „ПЛАМЪК“ (А ФИГ. 5). Отоплителният уред би трябвало да се запали до няколко секунди. Ако отоплителният уред не заработи, прегледайте раздел „12. ОТКРИВАНЕ НА ПРОБЛЕМ“.
- ▶ 7.1.6. За да постигнете максимална мощност, поставете силовия прекъсвач на позиция „ДВОЕН ПЛАМЪК“ (В ФИГ. 5).
- ▶ 7.1.7. Отоплителният уред може да се използва в режим на вентилиране. За да активирате тази функция, поставете прекъсвача за запалване на положение „ВЕНТИЛАТОР“ (А ФИГ. 5).
- ▶ 7.1.8. При моделите със стаен термостат проверете настроената температура (ФИГ. 6).

**ЗАБЕЛЕЖКА:** В СЛУЧАЙ НА ИЗГАСВАНЕ НА ОТОПЛИТЕЛНИЯ УРЕД, ДЪЛЖАЩО СЕ НА ИЗЧЕРПВАНЕ НА ГОРИВОТО, ДОПЪЛНЕТЕ РЕЗЕРВОАРА И РЕСТАРТИРАЙТЕ ОТОПЛИТЕЛНИЯ УРЕД (ВЖ РАЗДЕЛ 7.2.).

**ВАЖНО:** В индиректните модели продуктите от горенето може да бъдат отвеждани навън. **НАПРАВЕТЕ ОТВЕЖДАНЕТО СЪГЛАСНО ДЕЙСТВАЩАТА НОРМАТИВНА УРЕДБА И СПАЗВАЙТЕ УКАЗАНИЯТА, ПОСОЧЕНИ В СПЕЦИАЛНИЯ РАЗДЕЛ НА РЪКОВОДСТВОТО.**

### ►► 7.2. РЕСТАРТИРАНЕ НА ОТОПЛИТЕЛНИЯ УРЕД:

В случай на поява на проблем в нормалното функциониране, отоплителният уред блокира. Когато бутонът за нулиране reset е включен с непрекъсната червена светлина (ФИГ. 7), това означава, че уредът трябва да бъде рестартиран. За да рестартирате отоплителния уред, натиснете до дъно бутона за нулиране (ФИГ. 8). Преди да върнете отоплителния уред в работен режим, трябва да откриете и отстраните причината, която е причинила блокирането (например запушване на въздушния отвор и/или на този за подаване на въздух, спиране на вентилатора и др.). В случай, че не успеете да отстраните проблема, който е предизвикал блокирането, поискайте центърът за сервизно обслужване да се намеси.

### ►► 7.3. ИЗГАСЯНЕ НА ОТОПЛИТЕЛНИЯ УРЕД:

Поставете прекъсвача "I/O" на позиция "0" (А ФИГ. 5). Пламъкът се изгасва и вентилаторът продължава да работи до пълното охлаждане на горивната камера. **Не изключвайте от контакта до завършване на цикъла на охлаждане.**

## **8. ПОЧИСТВАНЕ НА ФИЛТРИ**

**В ЗАВИСИМОСТ ОТ КАЧЕСТВОТО НА ИЗПОЛЗВАНОТО ГОРИВО, МОЖЕ ДА СЕ НАЛОЖИ ПОЧИСТВАНЕ НА ФИЛТРИТЕ:**

### ►► 8.1. ФИЛТЪР ЗА ЗАРЕЖДАНЕ (ФИГ. 9):

- 8.1.1. Отстранете капачката (А) на резервоара.
- 8.1.2. Извадете филтъра (В) от резервоара.
- 8.1.3. Почистете филтъра (В) с чисто гориво, като внимавайте да не го повредите.
- 8.1.4. Монтирайте обратно филтъра (В) в резервоара.
- 8.1.5. Затворете капачката (А).

### ►► 8.2. ФИЛТЪР ЗА ВСМУКВАНЕ, (ФИГ. 10) В ЗАВИСИМОСТ ОТ МОДЕЛА:

- 8.2.1. Отстранете чашката (А).
- 8.2.2. Извадете филтъра (В) от чашката, като внимавайте да опазите гарнитурите.
- 8.2.3. Почистете филтъра (В) с чисто гориво, като внимавайте да не го повредите.
- 8.2.4. Монтирайте филтъра (В) обратно в чашката.
- 8.2.5. Монтирайте обратно чашката (А), като внимавайте да монтирате гарнитурите правилно.

### ►► 8.3. ФИЛТЪР ПОМПА ГОРИВО:

Вижте програмата за превантивна поддръжка.

## **9. СЪХРАНЕНИЕ И ТРАНСПОРТ**

**ПРЕДУПРЕЖДЕНИЕ:** Преди каквото и да е преместване трябва да спрете отоплителния уред (ВИЖ РАЗД. 7.3.), да изключите електрическото захранване, като извадите щепсела от електрическия контакт (ФИГ. 11), да изчакате пълното охлаждане на отоплителния уред и да се уверите, че капачката на резервоара е добре затворена, за да избегнете изтичане на гориво. Когато премествате отоплителния уред, го придържайте в нивелирано положение.

**ЗА ДА СЪХРАНИТЕ КОЛКОТО Е ВЪЗМОЖНО ПОДОБРЕ ОТОПЛИТЕЛНИЯ УРЕД, ПРЕПОРЪЧВАМЕ ДА СПАЗВАТЕ СЛЕДНАТА ПРОЦЕДУРА:**

- 9.1. Източете резервоара от горивото, като отстраните капачката за източване, разположена на дъното на резервоара (ФИГ. 12). Унищожете горивото по подходящ начин и в съответствие с действащите норми.
- 9.2. Ако забележите наличие на остатъци, излейте чистото гориво в резервоара и отново го източете.
- 9.3. Затворете капачката за източване и тази на резервоара.
- 9.4. За да съхранявате възможно най-добре отоплителния уред, препоръчваме да го поставите на сухо място, защитено от възможни външни повреди.

## **10. СВЪРЗВАНЕ СТАЕН ТЕРМОСТАТ**

В моделите с възможност за свързване на термостат отстранете свързаната към отоплителния уред капачка и свържете стайния термостат (опция) (ФИГ. 13-14).

**ПРЕДУПРЕЖДЕНИЕ: ПРЕДИ ДА ИЗВЪРШИТЕ КАКВАТО И ДА БИЛО ПОДДРЪЖКА ИЛИ ПОПРАВКА, ИЗКЛЮЧЕТЕ ЗАХРАНВАЩИЯ КАБЕЛ ОТ ЕЛЕКТРИЧЕСКАТА МРЕЖА И СЕ УВЕРЕТЕ, ЧЕ ОТОПЛИТЕЛНИЯТ УРЕД Е СТУДЕН.**

## 11. ПРОГРАМА ЗА ПРЕВАНТИВНА ПОДДРЪЖКА

КОМПОНЕНТ	ЧЕСТОТА НА ПОДДРЪЖКАТА	ПРОЦЕДУРА ПО ПОДДРЪЖКА
Резервоар за горивото	Почиствайте веднъж годишно или в зависимост от нуждите	Източете и изплакнете резервоара с чисто гориво (ВИЖ РАЗД. 9.)
Филтри	Почиствайте или сменяйте веднъж годишно или в зависимост от нуждата (проверете цялостта)	Почиствайте филтрите (ВИЖ РАЗД. 8.)
Филтър помпа гориво	Почиствайте или сменяйте веднъж годишно или в зависимост от нуждата (проверете цялостта)	Обърнете се към сервизно обслужване
Електроди	Почиствайте според нуждата	Обърнете се към сервизно обслужване
Перка	Почиствайте според нуждата	Обърнете се към сервизно обслужване
Горивна камера	Почиствайте според нуждата	Обърнете се към сервизно обслужване

## 12. ОТКРИВАНЕ НА ПРОБЛЕМА

ПРОБЛЕМ	ВЪЗМОЖНА ПРИЧИНА	ВЪЗМОЖНО РЕШЕНИЕ
Отоплителният уред не заработва или остава запален	<ol style="list-style-type: none"> <li>1. Прекъсвач за запалване на положение "0"</li> <li>2. Липсва захранване</li> <li>3. Прекъснат захранващ кабел</li> <li>4. Блокирана или дефектна електроника</li> <li>5. Погрешна настройка на стайния термостат (ако има такъв)</li> <li>6. Липса на гориво</li> <li>7. Наличие на външни вещества във веригата за горене</li> </ol>	<ol style="list-style-type: none"> <li>1. Поставете прекъсвача за запалване на положение „ПЛАМЪК“ (А ФИГ. 5)</li> <li>2а. Поставете правилно захранващия кабел в контакта на електрическата мрежа (ФИГ. 4)</li> <li>2b. Проверете дали напрежението на инсталацията Ви е правилно</li> <li>3. Обърнете се към сервизно обслужване</li> <li>4а. Нулирайте отоплителния уред (ВИЖ РАЗД. 7.2.)</li> <li>4b. Обърнете се към сервизно обслужване</li> <li>5. Поставете стайния термостат на температура, по-висока от тази на работната среда (ФИГ. 6)</li> <li>6. Заредете гориво и евентуално нулирайте отоплителния уред</li> <li>7а. Източете и напълнете резервоара с чисто гориво (ВИЖ РАЗД. 9.)</li> <li>7b. Почиствайте филтрите (ВИЖ РАЗД. 8.)</li> <li>7с. Обърнете се към сервизно обслужване</li> </ol>
Отоплителният уред отделя дим по време на работата си	<ol style="list-style-type: none"> <li>1. Наличие на външни вещества във веригата за горене</li> <li>2. Запушване на въздушния отвор на входа</li> <li>3. Неправилен приток на въздух</li> </ol>	<ol style="list-style-type: none"> <li>1а. Източете и напълнете резервоара с чисто гориво (ВИЖ РАЗД. 9.)</li> <li>1b. Почиствайте филтрите (ВИЖ РАЗД. 8.)</li> <li>1с. Обърнете се към сервизно обслужване</li> <li>2. Отстранете всички възможни запушвания на въздушния отвор</li> <li>3. Регулирайте жалузийната решетка за въздух, намираща се под вентилатора, в задната част на отоплителния уред (решетката се затваря наляво и се отваря надясно)</li> </ol>
Отоплителният уред не се изключва	<ol style="list-style-type: none"> <li>1. Дефектна електроника</li> </ol>	<ol style="list-style-type: none"> <li>1. Обърнете се към сервизно обслужване</li> </ol>

**ВАЖЛИВЕ ЗАУВАЖЕННЯ: УВАЖНО ПРОЧИТАЙТЕ ДАНУ ІНСТРУКЦІЮ ПЕРШ, НІЖ ЗДІЙСНИТИ СКЛАДАННЯ, ЗАПУСК В ЕКСПЛУАТАЦІЮ АБО ТЕХНІЧНЕ ОБСЛУГОВУВАННЯ ОБІГРІВАЧА. НЕПРАВИЛЬНЕ ВИКОРИСТАННЯ ОБІГРІВАЧА МОЖЕ СТАТИ ПРИЧИНОЮ ВАЖКИХ НАСЛІДКІВ ДЛЯ ЗДОРОВ'Я АБО СМЕРТІ. ЗБЕРЕЖІТЬ ДАНУ ІНСТРУКЦІЮ ДЛЯ ЗВЕРНЕННЯ В МАЙБУТНЬОМУ.**

## **1. ОПИС**

Дана серія обігрівачів повітря є спеціально розробленою для обігріву приміщень або просторів середніх або великих розмірів.

Обігрівачі непрямого нагрівання (МАЛ. 1), завдяки теплообміннику, дозволяють відокремлювати димові гази від гарячого повітря, що надходить у середовище. У такий спосіб можна вводити потік теплого чистого повітря в місця, що підлягають обігріву і відводити назовні димові гази через димоходи.

Дані обігрівачі повітря були розроблені відповідно до найсучасніших критеріїв безпеки, функціональності і надійності. Пристрої безпеки завжди гарантують правильну роботу обігрівача.

## **2. ІНФОРМАЦІЯ ПРО БЕЗПЕКУ ПОПЕРЕДЖЕННЯ**



**ВАЖЛИВЕ ЗАУВАЖЕННЯ:** Прилад не призначений для використання особами (включаючи дітей) з фізичними, сенсорними та розумовими вадами, або такими, що не мають досвіду, якщо тільки така експлуатація не відбувається під наглядом особи, відповідальної за їхню безпеку. Слід контролювати дітей на предмет того, що вони не грають з таким обладнанням.



**НЕБЕЗПЕКА:** Отруєння чадним газом може стати смертельним.

Перші симптоми отруєння чадним газом схожі на симптоми грипу з безперервним головним болем, запамороченням і/або нудотою. Такі симптоми можуть виникати в результаті дефектної роботи обігрівача. У РАЗІ ПОЯВИ ВКАЗАНИХ СИМПТОМІВ, НЕГАЙНО ВИЙДІТЬ НА ВІДКРИТЕ ПОВІТРЯ й організуйте технічне обслуговування обігрівача в центрі технічної допомоги.

### **▶▶ 2.1. ЗАВАНТАЖЕННЯ ПАЛИВА:**

▶2.1.1. Персонал, відповідальний за завантаження палива, повинен мати відповідну кваліфікацію і бути повністю ознайомлений із вказівками виробника та з діючими нормами щодо безпечного завантаження обігрівачів.

▶2.1.2. Використовуйте тільки тип палива, явно вказаний на ідентифікаційній бирці обігрівача.

▶2.1.3. Перш, ніж виконати завантаження, погасіть обігрівач, і почекайте до його охолодження.

▶2.1.4. Ємності для зберігання пального мають знаходитися в окремому приміщенні.

▶2.1.5. Всі резервуари для палива, мають перебувати на мінімально безпечній відстані від обігрівача, згідно діючих норм.

▶2.1.6. Паливо має зберігатися у приміщеннях, де покриття підлоги не допускає проникнення і безперервне капання палива на полум'я, що знаходиться нижче, що може призвести до пожежі.

▶2.1.7. Зберігання палива має здійснюватися відповідно до чинних норм.

### **▶▶ 2.2. БЕЗПЕКА:**

▶2.2.1. Ніколи не використовуйте обігрівач у приміщеннях, в яких є бензин, розчинники для лаків або пари інших легкозаймистих речовин.

▶2.2.2. Під час роботи обігрівача необхідно дотримуватися всіх місцевих постанов і діючих норм.

▶2.2.3. Обігрівачі, які використовуються поруч із полотнами, завісами або іншими аналогічними матеріалами для покриття, мають розміщуватися на безпечній відстані від них. Рекомендується, також, використовувати матеріали з покриттям вогнезахисного типу.

▶2.2.4. Використовуйте обладнання тільки в добре вентиляованих зонах. Підготуйте вентиляційний отвір у відповідності з діючими нормами, з метою надходження свіжого повітря з зовнішнього боку.

▶2.2.5. Подавайте електроживлення тільки з напругою і частотою, зазначеними на ідентифікаційній бирці.

▶2.2.6. Використовуйте тільки подовжувачі, з'єднані із заземленням.

▶2.2.7. Мінімальні рекомендовані безпечні відстані між обігрівачем і горючими речовинами: спереду = 2,5 метра; збоку, зверху і ззаду = 1,5 метра.

▶2.2.8. Розміщуйте гарячий або працюючий обігрівач на стабільній і рівній поверхні, так, щоб уникнути ризиків пожежі.

▶2.2.9. Слідкуйте за тим, щоб тварини перебували на безпечній відстані від обігрівача.

▶2.2.10. Відключайте обігрівач від мережі, коли він не використовується.



- ▶ 2.2.11. При управлінні термостатом, обігрівач може запрацювати у будь-який момент.
- ▶ 2.2.12. Ніколи не використовуйте обігрівач у житлових кімнатах і спальнях.
- ▶ 2.2.13. Ніколи не блокуйте отвір для надходження повітря, а також отвір для виходу повітря (передній бік) обігрівача.
- ▶ 2.2.14. Коли обігрівач нагрітий, або включений в електричну мережу або працює, забороняється його переміщати, маніпулювати, заправляти або піддавати якомусь втручанню для технічного обслуговування.
- ▶ 2.2.15. Не рекомендується відводити повітря на вході і/або на виході, окрім як за допомогою оригінального комплекту (там, де це передбачено).
- ▶ 2.2.16. Дотримуйтесь відповідної відстані від горючих матеріалів, або матеріалів, що розкладаються під дією тепла (включаючи кабель живлення), до нагрітих частин обігрівача.
- ▶ 2.2.17. Якщо кабель живлення виявиться пошкодженим, його слід замінити в центрі технічного обслуговування для уникнення будь-якого ризику.

### 3. ЗНЯТТЯ ПАКУВАННЯ

**ПОПЕРЕДЖЕННЯ:** Матеріал пакування не є іграшкою для дітей. Берегти пластиковий мішок від дітей; небезпека удушення!

- ▶ 3.1. Видаліть всі пакувальні матеріали, що використовувалися для пакування і доставки обігрівача. Утилізуйте їх згідно діючих норм.
- ▶ 3.2. У разі, якщо обігрівач був поміщений на піддон, обережно спустіть його.
- ▶ 3.3. Перевірте на предмет можливого пошкодження під час транспортування. Якщо обігрівач виявиться пошкодженим, повідомте про це безпосередньо агенту, у якого він був придбаний.

### 4. СКЛАДАННЯ

Дані обігрівачі укомплектовані колесами, рукояткою, і димарем залежно від моделі (МАЛ. 2). Ці компоненти, з відповідним набором болтів для монтажу, поміщені у пакування обігрівача.

### 5. ПАЛИВО

**ПОПЕРЕДЖЕННЯ:** Обігрівач працює тільки НА ДИЗЕЛЬНОМУ ПАЛИВІ або ГАСІ.

Використовуйте тільки дизельне паливо або гас, щоб уникнути ризиків пожежі або вибуху. Ніколи не використовуйте бензин, нафту, розчинники для лаків, спирт або інші легкозаймисті речовини. Використовуйте нетоксичні добавки проти замерзання в разі дуже низьких температур. Рекомендується використовувати зимове дизельне паливо при температурі нижче 5°C.

## 6. ПРИНЦИПИ РОБОТИ

**А.** Камера згоряння і пальник, **В.** Крильчатка, **С.** Двигун, **Д.** Насос, **Е.** Резервуар, **Ф.** Димова труба.

Насос всмоктує паливо з резервуару, доводячи його тиск до робочого. Паливо надходить у форсунку, яка його розпилює в камері згоряння. Горіння відбувається завдяки суміші повітря/палива, а його продукти виходять назовні завдяки потоку повітря, створюваного крильчаткою. У моделях прямого нагрівання продукти горіння потрапляють у середовище що обігрівається, в той час як у моделях непрямого нагрівання продукти горіння можуть відводитися у простір, зовнішній відносно простору, що обігрівається, за допомогою системи каналів. Серія датчиків, з'єднаних з електронною платою управління, безперервно перевіряє правильність роботи обігрівача, перериваючи цикл у разі неполадок.

## 7. РОБОТА

**ПОПЕРЕДЖЕННЯ:** Уважно ознайомтеся з "ІНФОРМАЦІЄЮ З БЕЗПЕКИ", перш, ніж ввімкнути обігрівач.

### ▶▶ 7.1. ВМІКАННЯ ОБІГРІВАЧА:

- ▶ 7.1.1. Дотримуйтесь всіх інструкцій щодо заходів безпеки.
- ▶ 7.1.2. Перевірте наявність пального в баку.
- ▶ 7.1.3. Закрийте кришку баку (МАЛ. 3).
- ▶ 7.1.4. Під'єднайте вилку живлення до електричної мережі (МАЛ. 4) (ДИВИТИСЯ НАПРУГУ В "ТАБЛИЦІ ТЕХНІЧНИХ ДАНИХ").
- ▶ 7.1.5. Встановіть перемикач в положення "ПОЛУМ'Я" (А МАЛ. 5). Запалювання нагрівача має відбутися протягом декількох секунд. Якщо нагрівач не вмикається, зверніться до параграфа "12. ПОШУК НЕСПРАВНОСТЕЙ".
- ▶ 7.1.6. Для отримання максимальної потужності, встановіть перемикач в положення "ПОДВІЙНЕ ПОЛУМ'Я" (В МАЛ. 5).
- ▶ 7.1.7. Нагрівач може використовуватися в режимі вентиляції, щоб активувати цю функцію, встановіть перемикач в положення "ВЕНТИЛЯТОР" (А МАЛ. 5).
- ▶ 7.1.8. Для моделей з термостатом температури навколишнього середовища, перевірте встановлену температуру (МАЛ. 6).

**ПРИМІТКА:** У РАЗІ ВІДКЛЮЧЕННЯ ОБІГРІВАЧА ЧЕРЕЗ ВИТРАЧАННЯ ПАЛИВА, ЗАПОВНІТЬ РЕЗЕРВУАР ДО КРАЇВ І ПЕРЕЗАПУСТИТЬ ОБІГРІВАЧ (ДИВ. ПУНКТ 7.2.).

**ВАЖЛИВО:** У моделях з непрямым нагрівом продукти згоряння можуть відводитися назовні приміщення. **ВИКОНАЙТЕ КАНАЛИ ЗГІДНО З ДІЮЧИМИ НОРМАМИ І ДОТРИМУЙТЕСЬ ВКАЗІВОК, ЩО ПРИВОДЯТЬСЯ У ВІДПОВІДНИХ РОЗДІЛАХ ІНСТРУКЦІЇ.**



## ►► 7.2. СКИДАННЯ ПАРАМЕТРІВ ОБІГРІВАЧА ДО ПОЧАТКОВИХ:

У разі, якщо автоматично визначається збій під час нормальної роботи, обігрівач блокується. Коли кнопка скидання безперервно горить червоним світлом (МАЛ. 7), це означає, що обігрівач вимагає скидання параметрів до початкових. Для цього повністю натисніть на кнопку скидання (МАЛ. 8). Перш, ніж знову запустити обігрівач в роботу, слід визначити і усунути проблему, яка призвела до блокування (наприклад, засмічення отвору для повітря на вході і/або виході, зупинка вентилятора і т.д.). У разі, якщо не вдається усунути проблему, яка стала причиною блокування, слід звернутися до центру технічного обслуговування.

## ►► 7.3. ВИМИКАННЯ ОБІГРІВАЧА:

Переведіть вимикач «I/O» у положення «0» (А МАЛ. 5). Полум'я згасне, а вентилятор продовжить роботу до повного охолодження камери згоряння. **Не від'єднуйте живлення до завершення циклу охолодження.**

## **8. ОЧИЩЕННЯ ФІЛЬТРІВ ВИКОРИСТОВУВАНОВОГО ПАЛИВА МОЖЕ ЗНАДОБИТИСЯ ОЧИЩЕННЯ ФІЛЬТРІВ:**

### ►► 8.1. ФІЛЬТР ДЛЯ ПАЛИВА (МАЛ. 9):

- 8.1.1. Зніміть пробку (А) з резервуара.
- 8.1.2. Вийміть фільтр (В) з резервуара.
- 8.1.3. Очистіть фільтр (В) чистим паливом, стежачи за тим, щоб не пошкодити його.
- 8.1.4. Знову встановіть фільтр (В) у резервуар.
- 8.1.5. Закрийте пробку (А).

### ►► 8.2. ФІЛЬТР ДЛЯ ВСМОКТУВАНОВОГО ПОВІТРЯ, (МАЛ. 10) ВІДПОВІДНО ДО МОДЕЛІ:

- 8.2.1. Зніміть гільзу (А).
- 8.2.2. Витягніть фільтр (В) з гільзи, стежачи за тим, щоб не пошкодити ущільнювачі.
- 8.2.3. Очистіть фільтр (В) чистим паливом, стежачи за тим, щоб не пошкодити його.
- 8.2.4. Знову вставте фільтр (В) у гільзу.
- 8.2.5. Встановіть на місце гільзу (А), звертаючи увагу на правильність встановлення ущільнювачів.

### ►► 8.3. ФІЛЬТР ДЛЯ ПАЛИВНОГО НАСОСА:

Див. програму профілактичного технічного обслуговування.

## **9. ЗБЕРІГАННЯ І ТРАНСПОРТУВАННЯ**

**ПОПЕРЕДЖЕННЯ:** Перш ніж переміщати обігрівач, його необхідно погасити (ДИВ. ПАРАГРАФ 7.3), відключити електричне живлення, витягнути вилку з розетки (МАЛ. 11), почекати до повного охолодження обігрівача і перевірити, щоб пробка резервуара була щільно закрита, щоб уникнути пролиття палива. Під час переміщення тримайте обігрівач у горизонтальному положенні.

### **З МЕТОЮ НАЙБІЛЬШ ПРАВИЛЬНОГО ЗБЕРІГАННЯ ОБІГРІВАЧА, РЕКОМЕНДУЄТЬСЯ СЛІДУВАТИ ТАКІЙ ПРОЦЕДУРІ:**

- 9.1. Злийте паливо з резервуару, знявши зливну пробку, що знаходиться на його дні (МАЛ. 12). Утилізуйте паливо відповідним способом і згідно діючих норм.
- 9.2. Якщо помічено наявність осаду, залийте очищене паливо в резервуар і знову злийте.
- 9.3. Закрийте зливну пробку резервуара.
- 9.4. З метою правильного зберігання обігрівача, рекомендується помістити його в сухе місце, захищене від можливого зовнішнього впливу.

## **10. ПІДКЛЮЧЕННЯ ТЕРМОСТАТА НАВКОЛИШНЬОГО СЕРЕДОВИЩА**

У моделях, де є можливість підключити термостат, зніміть пробку, з'єднану з обігрівачем, і підключіть термостат навколишнього середовища (опція) (МАЛ. 13-14).

**ПОПЕРЕДЖЕННЯ: ПЕРШ, НІЖ ЗДІЙСНИТИ БУДЬ-ЯКЕ ТЕХНІЧНЕ ОБСЛУГОВУВАННЯ АБО РЕМОНТ, ВІД'ЄДНАЙТЕ КАБЕЛЬ ВІД ЕЛЕКТРИЧНОЇ МЕРЕЖІ, І ПЕРЕКОНАЙТЕСЯ, ЩО ОБІГРІВАЧ ОХОЛОНУВ.**

## **11. РОГРАМА ПРОФІЛАКТИЧНОГО ТЕХНІЧНОГО ОБСЛУГОВУВАННЯ**

<b>КОМПОНЕНТ</b>	<b>ЧАСТОТА ТЕХНІЧНОГО ОБСЛУГОВУВАННЯ</b>	<b>ПРОЦЕДУРА ТЕХНІЧНОГО ОБСЛУГОВУВАННЯ</b>
Резервуар для палива	Очищувати раз на рік або у разі необхідності	Спорожнити і прополоскати резервуар чистим паливом (ДИВ. ПАРАГРАФ 9.)
Фільтри	Очищувати або замінити раз на рік або у разі необхідності (перевіряти цілісність)	Очистити фільтри (ДИВ. ПАРАГРАФ 8.)
Фільтр паливного насоса	Очищувати або замінити раз на рік або у разі необхідності (перевіряти цілісність)	Зверніться до центру технічної допомоги
Електроди	Очищувати у разі необхідності	Зверніться до центру технічної допомоги
Крильчатка	Очищувати у разі необхідності	Зверніться до центру технічної допомоги
Камера згоряння	Очищувати у разі необхідності	Зверніться до центру технічної допомоги

## **12. ВИЯВЛЕННЯ ПРОБЛЕМ**

<b>ПРОБЛЕМА</b>	<b>МОЖЛИВА ПРИЧИНА</b>	<b>МОЖЛИВЕ РІШЕННЯ</b>
Обігрівач не включається або не залишається включеним	<ol style="list-style-type: none"> <li>1. Вимикач знаходиться в положенні «0»</li> <li>2. Відсутнє живлення</li> <li>3. Пошкоджений кабель живлення</li> <li>4. Електроніка заблокована або несправна</li> <li>5. Неправильна установка термостата навколишнього середовища (якщо є)</li> <li>6. Відсутність палива</li> <li>7. Наявність сторонніх речовин у паливній системі</li> </ol>	<ol style="list-style-type: none"> <li>1. Встановіть перемикач в положення "ПОЛУМ'Я" (А МАЛ. 5).</li> <li>2а. Правильно підключіть кабель живлення до розетки електричної мережі (МАЛ. 4)</li> <li>2б. Перевірте правильність напруги вашої установки</li> <li>3. Зверніться до центру допомоги</li> <li>4а. Виконайте скидання параметрів обігрівача (ДИВ. ПАРАГРАФ 7.2.)</li> <li>4б. Зверніться до центру допомоги</li> <li>5. Встановіть на термостаті температуру, вище за температуру робочого середовища (МАЛ. 6)</li> <li>6. Налийте паливо і, у разі необхідності, скиньте параметри обігрівача</li> <li>7а. Спорожніть і заповніть резервуар чистим паливом (ДИВ. ПАРАГРАФ 9.)</li> <li>7б. Очистіть фільтри (ДИВ. ПАРАГРАФ 8.)</li> <li>7с. Зверніться до центру допомоги</li> </ol>
З обігрівача йде дим під час роботи	<ol style="list-style-type: none"> <li>1. Наявність сторонніх речовин у паливній системі</li> <li>2. Засмічення отвору подачі повітря на вході</li> <li>3. Неправильне постачання повітря</li> </ol>	<ol style="list-style-type: none"> <li>1а. Спорожніть і заповніть резервуар чистим паливом (ДИВ. ПАРАГРАФ 9.)</li> <li>1б. Очистіть фільтри (ДИВ. ПАРАГРАФ 8.)</li> <li>1с. Зверніться до центру допомоги</li> <li>2. Видаліть всі можливі перешкоди на шляху повітря</li> <li>3. Відрегулюйте повітряну заслінку, розташовану під вентилятором, в задній частині нагрівача (вліво заслінка закривається, вправо заслінка відкривається)</li> </ol>
Обігрівач не гасне	<ol style="list-style-type: none"> <li>1. Несправна електронна схема</li> </ol>	<ol style="list-style-type: none"> <li>1. Зверніться до центру допомоги</li> </ol>

**VAŽNO: PROČITAJTE I SHVATITE OVAJ RADNI PRIRUČNIK PRIJE NEGO ŠTO OBAVITE SASTAVLJANJE, PUŠTANJE U RAD ILI ODRŽAVANJE OVOG GRIJAČA. POGREŠNA UPOTREBA GRIJAČA MOŽE DOVESTI DO TEŠKIH ILI SMRTONOSNIH POVREDA. ČUVAJTE OVAJ PRIRUČNIK DA BISTE GA MOGLI U BUDUĆNOSTI KONZULTIRATI.**


## **1. OPIS**


Ova serija grijača toplog zraka je naročito prikladna za grijanje prostorija ili prostora srednjih ili većih dimenzija.

Grijači s indirektnim grijanjem (SL. 1) zahvaljujući izmjenjivaču topline omogućuju odvajanje plina sagorijevanja od toplog zraka u prostoru. Na taj je način moguće ispustiti topli čisti zrak u prostor koji se zagrijava te sprovesti u vanjski prostor ispušne dimove.

Ovi grijači toplog zraka su dizajnirani u skladu s najmodernijim bezbjednosnim kriterijima te onim funkcionalnosti i trajnosti. Bezbjednosni uređaji uvijek garantiraju pravilan rad grijača.

## **2. INFORMACIJE O BEZBJEDNOSTI UPOZORENJA**

 **VAŽNO:** Ovaj aparat nije namijenjen korištenju od strane osoba (uključujući i djecu) koje imaju smanjene fizičke, senzorne i mentalne sposobnosti osim u slučaju da ih nadgleda osoba odgovorna za njihovu bezbjednost. Morate kontrolirati djecu da se ne bi igrala sa aparatom.

 **OPASNOST:** Gušenje ugljenmonoksidom može da bude pogubno.

Prvi simptomi gušenja ugljičnim monoksidom slične na one gripe, sa glavoboljom, vrtoglavicom i/ili mučninom. Takve simptome može uzrokovati nepravilan rad grijača. U SLUČAJU POJAVE OVIH SIMPTOMA, ODMAH IZADITE NA OTVORENI PROSTOR i popravite grijač u servisnoj službi.

### **▶▶ 2.1. SNABDIJEVANJE:**

▶ 2.1.1. Osoblje zaduženo za snabdijevanje mora biti kvalificirano i u potpunosti upoznato sa uputstvima proizvođača kao i propisima na snazi u odnosu na pravilno snabdijevanje grijača.

▶ 2.1.2. Koristite isključivo vrstu goriva koja se jasno navodi na identifikacionoj pločici grijača.

▶ 2.1.3. Prije nego što snabdijete grijalicu, isključite je i sačekajte da se ohladi.

▶ 2.1.4. Cisterne za skladištenje goriva se moraju nalaziti u posebnom objektu.

▶ 2.1.5. Svi se rezervoari sa gorivom moraju nalaziti na minimalnoj bezbjednosnoj udaljenosti u odnosu na grijač, u skladu sa bezbjednosnim propisima.

▶ 2.1.6. Gorivo se mora čuvati u prostorijama čiji pod ne dopušta prodiranje ili kapanje istog na plamen ispod podloge, čime bi moglo doći do zapaljenja.

▶ 2.1.7. Čuvanje goriva se mora obaviti u skladu sa propisima na snazi.

### **▶▶ 2.2. BEZBJEDNOST:**

▶ 2.2.1. Nemojte nikada koristiti grijač u prostorijama u kojima ima benzina, rastvarača za lakove ili druge visoko zapaljive pare.

▶ 2.2.2. Dok koristite grijač, slijedite sve lokalne i državne propise koji su na snazi.

▶ 2.2.3. Grijači koji se koriste u blizini cerada, zavjesa ili drugih sličnih materijala za pokrivanje se moraju postaviti na bezbjednosnu udaljenost od istih. Savjetujemo vam i da koristite protivpožarne materijale za pokrivanje.

▶ 2.2.4. Koristite samo u dobro provjetrenim prostorima. Pripremite prikladan otvor u skladu sa propisima na snazi u cilju uvođenja svježeg zraka izvana.

▶ 2.2.5. Napajajte grijač samo strujom koja ima napon i frekvenciju navedenu na identifikacionoj pločici.

▶ 2.2.6. Koristite samo produžetke koji su propisno uzemljeni.

▶ 2.2.7. Minimalne bezbjednosne udaljenosti koje se savjetuju između grijača i zapaljivih tvari su: prednji izlaz = 2,5 m; bočno, gore i nazad = 1,5 m.

▶ 2.2.8. Stavite topli grijač ili kada radi na stabilnu i dobro izravnatu površinu na način da se onemogući rizik od požara.

▶ 2.2.9. Držite životinje na bezbjednosnoj udaljenosti od grijača.

▶ 2.2.10. Iskopčajte grijač iz mrežne utičnice kada ga ne koristite.

▶ 2.2.11. Kada termostat kontrolira grijač, on se može uključiti u bilo koje vrijeme.

- ▶ 2.2.12. Nikada ne koristite grijač u prostorijama u kojima se često stanuje, niti u spavaćim sobama.
- ▶ 2.2.13. Nikada ne začepļjavajte otvor za zrak niti izlaz za zrak (prednju stranu) grijača.
- ▶ 2.2.14. Kada je grijač topao ili povezan na električnu mrežu ili dok radi se ne smije nikada pomicati, njime se ne smije rukovati niti obavljati održavanje.
- ▶ 2.2.15. Izbjegavajte sprovođenje ulaznog i/ili izlaznog zraka korištenjem neoriginalnih kompleta (tamo gdje su predviđeni).
- ▶ 2.2.16. Održavajte prikladnu udaljenost od zapaljivih materijala ili onih nepostojanih na toplinu (uključujući i kabl za napajanje) od vrućih dijelova grijača.
- ▶ 2.2.17. Ako je kabel za napajanje oštećen, neka ga zamijeni tehnički servis na način da se spriječi nastajanje bilo kojeg rizika.

### **3. RASPAKIRANJE**

**UPOZORENJE:** Ambalažni materijal nije igračka za djecu. Držite plastičnu vrećicu daleko od dohvata djece; postoji opasnost od gušenja!

- ▶ 3.1. Uklonite sav ambalažni materijal korišten za pakiranje i slanje grijača. Odbacite ga u skladu sa propisima na snazi.
- ▶ 3.2. U slučaju da je grijač postavljen na podignutom mjestu, polagano ga spustite.
- ▶ 3.3. Provjerite je li došlo do eventualnih oštećenja tokom prijevoza. Ako je aparat oštećen, odmah obavijestite prodavca kod kojeg ste ga kupili.

### **4. SASTAVLJANJE**

Ovi su grijači opremljeni točkovima, ručkama i kaminom zavisno od modela (SL. 2). Takve komponente, uključujući i odgovarajuće vijke za montažu se nalaze u pakiranju grijača.

### **5. GORIVO**

**UPOZORENJE:** Grijač radi samo na DIZEL ili KEROZIN.

Koristite samo diesel ili kerozin da se izbjegne opasnost od požara ili eksplozije. Nikada ne koristite benzin, ulje, otapala za boje, alkohol ili druga visoko zapaljiva goriva.

Koristite netoksični antifriz agenti u slučaju vrlo niskih temperatura.

Preporučujemo vam da koristite zimski dizel u slučaju temperature ispod 5°C.

### **6. PRINCIPI RADA**

**A.** Komora i glava sagorijevanja, **B.** Mahalica, **C.** Motor, **D.** Pumpa, **E.** Rezervoar, **F.** Kamin.

Pumpa usisava gorivo iz spremnika i postavlja ga na radni tlak. Gorivo se šalje prskalici koja ga raspršuje u komori za izgaranje. Izgaranje se odvija pomoću mješavine zraka/goriva i njegovi produkti se guraju vani protokom zraka kojeg stvara rotacija mahalice. Na direktnim modelima produkti sagorijevanja idu u zagrijani prostor dok na indirektnim modelima produkti sagorijevanja se mogu sprovesti u vanjski prostor u odnosu na oni zagrijavani i to uz pomoć cijevi. Serija senzora povezana elektronskom karticom kontrole konstantno provjerava pravilan rad grijača te zaustavlja ciklus u slučaju anomalija.

### **7. RAD**

**UPOZORENJE:** Pažljivo pročitajte "INFORMACIJE O BEZBJEDNOSTI", prije nego što uključite grijač.

#### **▶▶ 7.1. UKLJUČENJE GRIJAČA:**

- ▶ 7.1.1. Pridržavajte se svih uputstava koja se odnose na sigurnost.
- ▶ 7.1.2. Provjerite da ima goriva u rezervoaru.
- ▶ 7.1.3. Zavrnite čep rezervoara (SL. 3).
- ▶ 7.1.4. Spojite utikač za napajanje u električnu mrežu (SL. 4) (POGLEDAJTE NAPON NA "TABELI TEHNIČKIH PODATAKA").
- ▶ 7.1.5. Okrenite prekidač za paljenje u položaj "PLAMENA" (A SL. 5). Grijač se mora uključiti u roku od nekoliko sekundi. Ako se grijač ne pokrene, pogledajte odjeljak "12. PRONALAZENJE PROBLEMA".
- ▶ 7.1.6. Da biste dobili maksimalnu snagu, postavite prekidač za napajanje u položaj "DVOSTRUKOG PLAMENA" (B SL. 5).
- ▶ 7.1.7. Grijač se može koristiti u režimu ventilacije, da biste aktivirali ovu funkciju, postavite prekidač za paljenje u položaj "VENTILATOR" (A SL. 5).
- ▶ 7.1.8. Za modele sa sobnim termostatom provjerite podešenu temperaturu (SL. 6).

**NAPOMENA: U SLUČAJU ISKLJUČENJA GRIJAČA ZBOG NEDOSTATKA GORIVA, NAPUNITE REZERVOAR I OBAVITE RESET GRIJAČA (VIDI POGL. 7.2.).**

**VAŽNO:** Na indirektnim modelima, produkti sagorijevanja se mogu sprovesti vani. **OBAVITE CIJEVNO POVEZIVANJE U SKLADU S PROPISIMA NA SNAZI I POŠTUJTE INDIKACIJE NAVEDENE U PRIKLADNOM ODJELJKU PRIRUČNIKA.**



## ▶▶ 7.2. RESET GRIJAČA:

U slučaju da dođe do anomalije u normalnom radu, grijač ide u stanje blokade. Kada je dugme za reset uključeno sa fiksnim crvenim svjetlom (SL. 7), to znači da se grijač mora resetirati. Da biste obavili reset grijača, pritisnite sve do kraja dugme za reset (SL. 8). Prije nego što ponovno pustite grijač u rad, morate pronaći i otkloniti uzrok koji je doveo do blokade (na primjer, začepljenje ulaznog/izlaznog otvora za zrak, zaustavljanje ventilatora, itd.). U slučaju da se ne uspije riješiti problem koji je doveo do blokade, neka intervenira tehnički servis.

## ▶▶ 7.3. ISKLJUČENJE GRIJAČA:

Stavite prekidač "I/O" u poziciju "0" (A SL. 5). Plamen se gasi a ventilator nastavlja s radom sve dok se komora za sagorijevanje u potpunosti ne ohladi. **Ne iskopčavajte iz utičnice sve dok se ne obavi u potpunosti ciklus hlađenja.**

## **8. ČIŠĆENJE FILTERA**

**ZAVISNO OD KVALITETE GORIVA KOJE SE KORISTI MOŽDA ĆE SE MORATI OBAVITI ČIŠĆENJE FILTERA:**

### ▶▶ 8.1. FILTER ZA ULIJEVANJE (SL. 9):

- ▶ 8.1.1. Skinite čep (A) sa rezervoara.
- ▶ 8.1.2. Izvadite filter (B) iz rezervoara.
- ▶ 8.1.3. Očistite filter (B) čistim gorivom i pazite da ga ne oštetite.
- ▶ 8.1.4. Ponovno postavite filter (B) u rezervoar.
- ▶ 8.1.5. Stavite čep (A).

### ▶▶ 8.2. FILTER ZA USIS, (SL. 10)

**ZAVISNO OD MODELA:**

- ▶ 8.2.1. Izvadite čašu (A).
- ▶ 8.2.2. Izvadite filter (B) iz čaše na način da pripazite na brtve.
- ▶ 8.2.3. Očistite filter (B) čistim gorivom i pripazite da ga ne oštetite.
- ▶ 8.2.4. Ponovo stavite filter (B) u čašu.
- ▶ 8.2.5. Ponovo stavite čašu (A) i pazite da pravilno postavite brtve.

### ▶▶ 8.3. FILTER PUMPE ZA SAGORIJEVANJE:

Pogledajte program preventivnog održavanja.

## **9. ČUVANJE I PRIJEVOZ**

**UPOZORENJE:** Prije bilo kojeg pomicanja grijač se mora zaustaviti (VIDI POGL. 7.3.), iskopčati električno napajanje i to na način da se iskopča utikač iz strujne utičnice, (SL. 11), sačekajte da se grijač u potpunosti ohladi te se uvjerite da je čep rezervoara dobro zatvoren da ne bi došlo do izlivanja goriva. Kada se grijač pomiče, držite ga u ravnom položaju.

**DA BISTE OČUVALI U ŠTO BOLJEM STANJU GRIJAČ, SAVJETUJEMO VAM DA SE PRIDRŽAVATE SLIJEDEĆE PROCEDURE:**

- ▶ 9.1. Ispraznite rezervoar od goriva na način da skinete čep za izliv na dnu rezervoara (SL. 12). Odložite gorivo na prikladan način i u skladu sa propisima na snazi.
- ▶ 9.2. Ako primijetite da ima taloga, ulijte čisto gorivo u rezervoar i ponovo ga izlijte.
- ▶ 9.3. Zatvorite čep za izliv i onaj rezervoara.
- ▶ 9.4. Da biste očuvali grijač na što bolji način, savjetujemo vam da ga odložite na suho mjesto te zaštitite od mogućih vanjskih oštećenja.

## **10. POVEZIVANJE NA PROSTORNI TERMOSTAT**

Na modelima koji su prethodno pripremljeni za povezivanje na termostat, skinite čep povezan na grijač i povežite prostorni termostat (opcija) (SL. 13-14).



**UPOZORENJE: PRIJE NEGO ŠTO OBAVITE BILO KOJU OPERACIJU ODRŽAVANJA ILI POPRAVLJANJA, ISKOPČAJTE KABL ZA NAPAJANJE SA ELEKTRIČNE MREŽE I UVJERITE SE DA SE GRIJAČ OHLADIO.**

## 11. PROGRAM PREVENTIVNOG ODRŽAVANJA

COMPONENTE	FREQUENZA MANUTENZIONE	PROCEDURA MANUTEZIONE
Rezervoar goriva	Očistite jedanput godišnje zavisno od potreba	Ispraznite i isperite rezervoar čistim gorivom (VIDI POGL. 9.)
Filtri	Očistite ili zamijenite jedan put na godinu ili zavisno od potreba (provjerite cjelovitost)	Očistite filtere (VIDI POGL. 8.)
Filter pumpe za gorivo	Očistite ili zamijenite jedan put na godinu ili zavisno od potreba (provjerite cjelovitost)	Obratite se serviseru
Elektrode	Očistite zavisno od potreba	Obratite se serviseru
Mahalice	Očistite zavisno od potreba	Obratite se serviseru
Komora za sagorijevanje	Očistite zavisno od potreba	Obratite se serviseru

## 12. PRONALAZENJE PROBLEMA

PROBLEM	MOGUĆI UZROK	MOGUĆE RJEŠENJE
Grijač se ne pokreće ili ne ostaje uključen	<ol style="list-style-type: none"> <li>1. Prekidač za uključivanje u poziciji "0"</li> <li>2. Nema napajanja</li> <li>3. Kabl za napajanje prekinut</li> <li>4. Elektronika u stanju blokade ili neispravna</li> <li>5. Pogrešno postavljanje prostornog termostata (tamo gdje postoji)</li> <li>6. Nema goriva</li> <li>7. Ima stranih supstanci u krugu goriva</li> </ol>	<ol style="list-style-type: none"> <li>1. Okrenite prekidač za paljenje u položaj "PLAMENA" (A SL. 5)</li> <li>2a. Pravilno ukopčajte kabl za napajanje u strujnu utičnicu mreže (SL. 4)</li> <li>2b. Provjerite pravilan napon vašeg uređaja</li> <li>3. Obratite se serviseru</li> <li>4a. Obavite reset grijača (VIDI POGL. 7.2.)</li> <li>4b. Obratite se serviseru</li> <li>5. Na prostornom termostatu, postavite višu temperaturu od one radnog prostora (SL. 6)</li> <li>6. Ulijte gorivo i eventualno obavite reset grijača</li> <li>7a. Ispraznite i napunite rezervoar čistim gorivom (VIDI POGL. 9.)</li> <li>7b. Očistite filtere (VIDI POGL. 8.)</li> <li>7c. Obratite se serviseru</li> </ol>
Grijač stvara dim tokom rada	<ol style="list-style-type: none"> <li>1. Ima stranih supstanci u krugu goriva</li> <li>2. Začepljenost ulaznog otvora za zrak</li> <li>3. Nepravilno snabdijevanje vazduhom</li> </ol>	<ol style="list-style-type: none"> <li>1a. Ispraznite i napunite rezervoar čistim gorivom (VIDI POGL. 9.)</li> <li>1b. Očistite filtere (VIDI POGL. 8.)</li> <li>1c. Obratite se serviseru</li> <li>2. Odstranite sve moguće uzroke začepljenosti otvora za zrak</li> <li>3. Podesite klapnu za vazduh koja se nalazi ispod ventilatora na zadnjem dijelu grijača (sa lijeve strane klapna se zatvara, desno se klapna otvara)</li> </ol>
Grijač se ne isključuje	<ol style="list-style-type: none"> <li>1. Elektronika je neispravna</li> </ol>	<ol style="list-style-type: none"> <li>1. Obratite se serviseru</li> </ol>

**ΣΗΜΑΝΤΙΚΟ: ΔΙΑΒΑΣΤΕ ΚΑΙ ΚΑΤΑΝΟΗΣΤΕ ΑΥΤΟ ΤΟ ΛΕΙΤΟΥΡΓΙΚΟ ΕΓΧΕΙΡΙΔΙΟ ΠΡΙΝ ΝΑ ΠΡΟΧΩΡΗΣΤΕ ΣΤΗ ΣΥΝΑΡΜΟΛΟΓΗΣΗ, ΤΗ ΛΕΙΤΟΥΡΓΙΑ Ή ΤΗ ΣΥΝΤΗΡΗΣΗ ΑΥΤΟΥ ΤΟΥ ΘΕΡΜΑΝΤΗΡΑ. Η ΕΣΦΑΛΜΕΝΗ ΧΡΗΣΗ ΤΟΥ ΘΕΡΜΑΝΤΗΡΑ ΜΠΟΡΕΙ ΝΑ ΠΡΟΚΑΛΕΣΕΙ ΣΟΒΑΡΟΥΣ ΤΡΑΥΜΑΤΙΣΜΟΥΣ. ΦΥΛΑΞΤΕ ΤΟ ΕΓΧΕΙΡΙΔΙΟ ΑΥΤΟ ΣΕ ΠΕΡΙΠΤΩΣΗ ΜΕΛΛΟΝΤΙΚΗΣ ΑΝΑΦΟΡΑΣ.**

## **1. ΠΕΡΙΓΡΑΦΗ**

Αυτή η σειρά των θερμαντήρων ζεστού αέρα ενδείκνυνται ιδιαίτερα για τη θέρμανση δωματίων ή χώρων μεσαίων ή μεγάλων διαστάσεων.

Οι θερμαντήρες έμμεσης θέρμανσης (ΕΙΚ. 1), χάρη σε έναν εναλλάκτη θερμότητας, έχουν τη δυνατότητα να διαχωρίζουν τους καπνούς της καύσης από τον ζεστό αέρα που απελευθερώνεται στο περιβάλλον. Με τον τρόπο αυτό είναι εφικτή η εισαγωγή ενός καθαρού ρεύματος ζεστού αέρα στο χώρο που πρόκειται να θερμανθεί και η μεταφορά έξω των καπνών της καύσης.

Αυτοί οι θερμαντήρες ζεστού αέρα έχουν σχεδιαστεί σύμφωνα με τα πιο μοντέρνα κριτήρια ασφαλείας, λειτουργικότητας και διάρκειας. Οι διατάξεις ασφαλείας εξασφαλίζουν πάντα τη σωστή λειτουργία του θερμαντήρα.

## **2. ΠΛΗΡΟΦΟΡΙΕΣ ΓΙΑ ΤΗΝ**

### **ΑΣΦΑΛΕΙΑ**

#### **ΠΡΟΕΙΔΟΠΟΙΗΣΕΙΣ**



**ΣΗΜΑΝΤΙΚΟ:** Η συσκευή αυτή δεν θα πρέπει να χρησιμοποιείται από άτομα (συμπεριλαμβανομένων παιδιών) με μειωμένες σωματικές, αισθητηριακές και διανοητικές ικανότητες ή άπειρα, εκτός εάν επιτηρούνται από ένα υπεύθυνο άτομο για την ασφάλειά τους. Τα παιδιά θα πρέπει να ελέγχονται, έτσι ώστε να εξασφαλίζεται ότι δεν παίζουν με τη συσκευή.



**ΚΙΝΔΥΝΟΣ:** Η ασφυξία από το μονοξείδιο του άνθρακα μπορεί να αποβεί μοιραία.

Τα πρώτα συμπτώματα της ασφυξίας από το μονοξείδιο του άνθρακα μοιάζουν με αυτά της γρίπης, με πονοκεφάλους, ζάλη ή/και ναυτία. Τέτοιου είδους συμπτώματα μπορεί να προκληθούν από τη δυσλειτουργία του θερμαντήρα. **ΣΕ ΠΕΡΙΠΤΩΣΗ ΠΟΥ ΠΑΡΟΥΣΙΑΣΤΟΥΝ ΤΑ ΣΥΜΠΤΩΜΑΤΑ ΑΥΤΑ, ΒΓΕΙΤΕ ΑΜΕΣΩΣ ΕΞΩ** και αναθέστε την επισκευή του θερμαντήρα στην υπηρεσία τεχνικής υποστήριξης.

#### **►► 2.1. ΓΕΜΙΣΜΑ:**

► 2.1.1. Το προσωπικό που έχει αναλάβει το γέμισμα πρέπει να είναι εξειδικευμένο και πλήρως εξοικειωμένο με τις οδηγίες του κατασκευαστή και την ισχύουσα νομοθεσία σχετικά με το ασφαλές γέμισμα των θερμαντήρων.

► 2.1.2. Χρησιμοποιείτε μόνο τον τύπο του καυσίμου που ορίζεται ρητά στην πινακίδα αναγνώρισης του θερμαντήρα.

► 2.1.3. Πριν εκτελέσετε το γέμισμα, σβήστε το θερμαντήρα και περιμένετε να κρυώσει.

► 2.1.4. Οι δεξαμενές αποθήκευσης του καυσίμου πρέπει να βρίσκονται σε ξεχωριστή εγκατάσταση.

► 2.1.5. Όλες οι δεξαμενές καυσίμου πρέπει να βρίσκονται σε ελάχιστη απόσταση ασφαλείας από το θερμαντήρα σύμφωνα με τους ισχύοντες νόμους.

► 2.1.6. Το καύσιμο πρέπει να φυλάσσεται σε χώρους όπου το πάτωμα δεν επιτρέπει τη διείσδυση και το στάξιμο στις φλόγες που βρίσκονται από κάτω οι οποίες μπορεί να προκαλέσουν ανάφλεξη.

► 2.1.7. Η αποθήκευση του καυσίμου πρέπει να γίνεται σύμφωνα με την ισχύουσα νομοθεσία.

#### **►► 2.2. ΑΣΦΑΛΕΙΑ:**

► 2.2.1. Μη χρησιμοποιείτε ποτέ το θερμαντήρα σε χώρους όπου υπάρχει βενζίνη, διαλυτικά χρωμάτων ή άλλοι υψηλά εύφλεκτοι ατμοί.

► 2.2.2. Κατά τη διάρκεια της χρήσης του θερμαντήρα, ακολουθήστε όλους τους τοπικούς κανονισμούς και την ισχύουσα νομοθεσία.

► 2.2.3. Οι θερμαντήρες που χρησιμοποιούνται κοντά σε μουσαμάδες, κουρτίνες ή άλλα παρόμοια υλικά καλύμματος, πρέπει να τοποθετούνται σε απόσταση ασφαλείας από αυτά. Σας συνιστούμε επίσης να χρησιμοποιείτε υλικά καλύμματος πυρίμαχου τύπου.

► 2.2.4. Να χρησιμοποιείτε μόνο σε χώρους που αεριζονται καλά. Φροντίστε να δημιουργήσετε ένα κατάλληλο άνοιγμα σύμφωνα με τους ισχύοντες κανονισμούς με σκοπό την εισαγωγή φρέσκου αέρα από έξω.

► 2.2.5. Τροφοδοτήστε το θερμαντήρα μόνο με το ρεύμα τάσης και συχνότητας που προσδιορίζεται στην πινακίδα αναγνώρισης.

► 2.2.6. Χρησιμοποιείτε μόνο καλωδιακές επεκτάσεις κατάλληλα γειωμένες.

► 2.2.7. Ελάχιστες αποστάσεις ασφαλείας που συνίστανται μεταξύ του θερμαντήρα και των εύφλεκτων ουσιών είναι: μπροστινή έξοδος = 2,5 m; στο πλάι, επάνω και πίσω = 1,5 m.

► 2.2.8. Τοποθετήστε το ζεστό θερμαντήρα ή σε λειτουργία σε σταθερή, επίπεδη επιφάνεια, έτσι ώστε να μην υπάρχει κίνδυνος πυρκαγιάς.

► 2.2.9. Κρατήστε τα ζώα σε απόσταση ασφαλείας από το θερμαντήρα.

► 2.2.10. Αποσυνδέστε το θερμαντήρα από την ηλεκτρική πρίζα, όταν δεν το χρησιμοποιείτε.

- ▶ 2.2.11. Όταν ελέγχεται από έναν θερμοστάτη ο θερμαντήρας μπορεί να ανάψει οποιαδήποτε στιγμή.
- ▶ 2.2.12. Μη χρησιμοποιείτε ποτέ το θερμαντήρα σε δωμάτια που κατοικούνται συχνά και σε υπνοδωμάτια.
- ▶ 2.2.13. Μη μπλοκάρετε ποτέ τη λήψη του αέρα, ούτε την έξοδο του αέρα (μπροστινή πλευρά) του θερμαντήρα.
- ▶ 2.2.14. Όταν ο θερμαντήρας είναι ζεστός ή συνδεδεμένος στο ηλεκτρικό ρεύμα ή σε λειτουργία δεν θα πρέπει σε καμιά περίπτωση να μετακινείται, να χρησιμοποιείται ή να υποβάλλεται σε οποιαδήποτε εργασία συντήρησης.
- ▶ 2.2.15. Αποφύγετε τη διοχέτευση του αέρα εισόδου ή/και εξόδου χωρίς τα γνήσια kit (όπου προβλέπονται).
- ▶ 2.2.16. Κρατήστε τη σωστή απόσταση από τα εύφλεκτα ή θερμοδιασπόμενα υλικά (συμπεριλαμβανομένου του καλωδίου τροφοδοσίας) από τα ζεστά μέρη του θερμαντήρα.
- ▶ 2.2.17. Αν το καλώδιο τροφοδοσίας έχει υποστεί ζημιά θα πρέπει να αντικαθίσταται από την υπηρεσία τεχνικής υποστήριξης προκειμένου να αποφευχθεί κάθε κίνδυνος.

### 3. ΑΠΟΣΥΣΚΕΥΑΣΙΑ

**ΠΡΟΕΙΔΟΠΟΙΗΣΗ:** Το υλικό της συσκευασίας δεν είναι παιχνίδι για παιδιά. Κρατήστε την πλαστική σακούλα μακριά από τα παιδιά. Κίνδυνος ασφυξίας!

- ▶ 3.1. Αφαιρέστε όλα τα υλικά της συσκευασίας που χρησιμοποιήθηκαν για τη συσκευή και την αποστολή του θερμαντήρα. Απορρίψτε τα σύμφωνα με τους ισχύοντες κανονισμούς.
- ▶ 3.2. Σε περίπτωση που ο θερμαντήρας είναι τοποθετημένος σε εξέδρα κατεβάστε τον με προσοχή.
- ▶ 3.3. Ελέγξτε για τυχόν ζημιές κατά τη διάρκεια της μεταφοράς. Αν ο θερμαντήρας έχει υποστεί ζημιά, ειδοποιήστε αμέσως τον αντιπρόσωπο από όπου τον αγοράσατε.

### 4. ΣΥΝΑΡΜΟΛΟΓΗΣΗ

Αυτοί οι θερμαντήρες διαθέτουν τροχούς, λαβή και καμινάδα ανάλογα με το μοντέλο (ΕΙΚ. 2). Αυτά τα εξαρτήματα συμπεριλαμβανομένων και τους σχετικούς κοχλίες συναρμολόγησης βρίσκονται στην συσκευασία του θερμαντήρα.

### 5. ΚΑΥΣΙΜΟ

**ΠΡΟΕΙΔΟΠΟΙΗΣΗ:** Ο θερμαντήρας λειτουργεί μόνο με ΠΕΤΡΕΛΑΙΟ ΝΤΙΖΕΛ ή ΚΗΡΟΖΙΝΗ.

Χρησιμοποιείτε μόνο πετρέλαιο ντίζελ ή κηροζίνη για να αποφύγετε τον κίνδυνο πυρκαγιάς ή έκρηξης. Μη χρησιμοποιείτε ποτέ βενζίνη, νάφθα, διαλυτικά για χρώματα, αλκοόλ ή άλλα πολύ εύφλεκτα καύσιμα.

Χρησιμοποιήστε μη τοξικά αντιψυκτικά πρόσθετα σε περίπτωση πολύ χαμηλών θερμοκρασιών. Σας συνιστούμε να χρησιμοποιείτε πετρέλαιο το χειμώνα κάτω από 5°C.

## 6. ΑΡΧΕΣ ΛΕΙΤΟΥΡΓΙΑΣ

**A.** Θάλαμος και κεφαλή καύσης, **B.** Ανεμιστήρας, **C.** Κινητήρας, **D.** Αντλία, **E.** Δεξαμενή, **F.** Τζάκι.

Η αντλία αναρροφά το καύσιμο από τη δεξαμενή μεταφέροντάς το σε πίεση λειτουργίας. Το καύσιμο μεταφέρεται από το ακροφύσιο που το εκνεφώνει στο θάλαμο καύσης. Η καύση γίνεται μέσω ενός μείγματος αέρα/καυσίμου και τα προϊόντα της ωθούνται προς τα έξω μέσω της ροής του αέρα που παράγεται από την περιστροφή του ανεμιστήρα. Στα άμεσα μοντέλα τα προϊόντα της καύσης καταλήγουν στο θερμαινόμενο χώρο, ενώ στα έμμεσα μοντέλα τα προϊόντα της καύσης μπορεί να μεταφέρονται έξω από το θερμαινόμενο περιβάλλον μέσω της διοχέτευσης. Μια σειρά αισθητήρων που συνδέονται με μια ηλεκτρονική κάρτα ελέγχου ελέγχουν διαρκώς τη σωστή λειτουργία του θερμαντήρα, διακόπτοντας τον κύκλο σε περίπτωση ανωμαλιών.

## 7. ΛΕΙΤΟΥΡΓΙΑ

**ΠΡΟΕΙΔΟΠΟΙΗΣΗ:** Παρακαλούμε διαβάστε προσεκτικά τις “ΠΛΗΡΟΦΟΡΙΕΣ ΣΧΕΤΙΚΑ ΜΕ ΤΗΝ ΑΣΦΑΛΕΙΑ”, πριν ενεργοποιήσετε το θερμαντήρα.

- ▶▶ **7.1. ΑΝΑΦΛΕΞΗ ΤΟΥ ΘΕΡΜΑΝΤΗΡΑ:**
  - ▶ 7.1.1. Ακολουθείστε όλες τις οδηγίες σχετικά με την ασφάλεια.
  - ▶ 7.1.2. Βεβαιωθείτε ότι υπάρχουν καύσιμα στη δεξαμενή.
  - ▶ 7.1.3. Κλείστε την τάπα της δεξαμενής (ΕΙΚ. 3).
  - ▶ 7.1.4. Συνδέστε το βύσμα τροφοδοσίας στο ηλεκτρικό δίκτυο (ΕΙΚ. 4) (ΔΕΙΤΕ ΤΗΝ ΤΑΣΗ ΣΤΟΝ “ΠΙΝΑΚΑ ΤΕΧΝΙΚΩΝ ΔΕΔΟΜΕΝΩΝ”).
  - ▶ 7.1.5. Μεταφέρετε το διακόπτη ανάφλεξης στη θέση “ΦΛΟΓΑ” (Α ΕΙΚ. 5). Ο θερμαντήρας θα πρέπει να ανάψει μέσα σε λίγα δευτερόλεπτα. Αν δεν ενεργοποιηθεί ο θερμαντήρας ανατρέξτε στην παράγραφο “12. ΠΡΟΣΔΙΟΡΙΣΜΟΣ ΤΟΥ ΠΡΟΒΛΗΜΑΤΟΣ”.
  - ▶ 7.1.6. Για να έχετε τη μέγιστη ισχύ βάλτε το διακόπτη ισχύος στη θέση “ΔΙΠΛΗ ΦΛΟΓΑ” (Β ΕΙΚ. 5).
  - ▶ 7.1.7. Ο θερμαντήρας μπορεί να χρησιμοποιείται στη λειτουργία αερισμού, για να ενεργοποιήσετε αυτή τη λειτουργία, βάλτε το διακόπτη ανάφλεξης στη θέση “ΑΝΕΜΙΣΤΗΡΑΣ” (Α ΕΙΚ. 5).
  - ▶ 7.1.8. Για τα μοντέλα με θερμοστάτη περιβάλλοντος, ελέγξτε τη ρυθμισμένη θερμοκρασία (ΕΙΚ. 6).
- ΣΗΜΕΙΩΣΗ:** ΣΕ ΠΕΡΙΠΤΩΣΗ ΑΠΕΝΕΡΓΟΠΟΙΗΣΗΣ ΤΟΥ ΘΕΡΜΑΝΤΗΡΑ ΛΟΓΩ ΕΞΑΝΤΛΗΣΗΣ ΤΟΥ ΚΑΥΣΙΜΟΥ, ΓΕΜΙΣΤΕ ΤΗ ΔΕΞΑΜΕΝΗ ΚΑΙ ΕΠΑΝΑΦΕΡΤΕ ΤΟ ΘΕΡΜΑΝΤΗΡΑ (ΔΕΙΤΕ ΠΑΡΑΓΡ. 7.2.).

**ΣΗΜΑΝΤΙΚΟ:** Στα έμμεσα μοντέλα τα προϊόντα της καύσης μπορούν να διοχετεύονται έξω. **ΕΚΤΕΛΕΣΤΕ ΤΗ ΔΙΟΧΕΤΕΥΣΗ ΣΥΜΦΩΝΑ ΜΕ ΤΟΝ ΚΑΝΟΝΙΣΜΟ ΠΟΥ ΙΣΧΥΕΙ ΚΑΙ ΤΗΡΗΣΤΕ ΤΙΣ ΟΔΗΓΙΕΣ ΠΟΥ ΑΝΑΦΕΡΟΝΤΑΙ ΣΤΗΝ ΕΙΔΙΚΗ ΕΝΟΤΗΤΑ ΤΟΥ ΕΓΧΕΙΡΙΔΙΟΥ.**

### ►► 7.2. ΕΠΑΝΑΦΟΡΑ ΤΟΥ ΘΕΡΜΑΝΤΗΡΑ:

Σε περίπτωση που παρουσιαστεί κάποια ανωμαλία κατά την κανονική λειτουργία ο θερμαντήρας μεταφέρεται σε εμπλοκή. Όταν το κουμπί της επαναφοράς γίνεται σταθερά κόκκινο (ΕΙΚ. 7), σημαίνει ότι ο θερμαντήρας χρειάζεται να επαναφερθεί. Για την επαναφορά του θερμαντήρα πατήστε καλά το κουμπί της επαναφοράς (ΕΙΚ. 8). Πριν ενεργοποιήσετε ξανά το θερμαντήρα θα πρέπει να εντοπίσετε και να εξαλείψετε την αιτία που προκάλεσε την εμπλοκή (για παράδειγμα απόφραξη της λήψης του αέρα εισόδου, στάση του ανεμιστήρα, κλπ). Σε περίπτωση που δεν μπορείτε να εξαλείψετε το πρόβλημα που προκάλεσε την εμπλοκή καλέστε το κέντρο τεχνικής βοήθειας.

### ►► 7.3. ΑΠΕΝΕΡΓΟΠΟΙΗΣΗ ΤΟΥ ΘΕΡΜΑΝΤΗΡΑ:

Μεταφέρετε το διακόπτη "I/O" στη θέση "0" (Α ΕΙΚ. 5). Η φλόγα σβήνει και ο ανεμιστήρας συνεχίζει να λειτουργεί μέχρι την πλήρη ψύξη του θαλάμου καύσης. **Μην αποσυνδέετε τη λήψη μέχρι την ολοκλήρωση του κύκλου ψύξης.**

## **8. ΚΑΘΑΡΙΣΜΟΣ ΤΩΝ ΦΙΛΤΡΩΝ**

**ΣΥΜΦΩΝΑ ΜΕ ΤΗΝ ΠΟΙΟΤΗΤΑ ΤΟΥ ΚΑΥΣΙΜΟΥ ΠΟΥ ΧΡΗΣΙΜΟΠΟΙΕΙΤΕ ΜΠΟΡΕΙ ΝΑ ΚΑΤΑΣΤΕΙ ΑΝΑΓΚΑΙΟΣ Ο ΚΑΘΑΡΙΣΜΟΣ ΤΩΝ ΦΙΛΤΡΩΝ:**

### ►► 8.1. ΦΙΛΤΡΟ ΠΛΗΡΩΣΗΣ (ΕΙΚ. 9):

- 8.1.1. Αφαιρέστε την τάπα (Α) της δεξαμενής.
- 8.1.2. Αφαιρέστε το φίλτρο (Β) από τη δεξαμενή.
- 8.1.3. Καθαρίστε το φίλτρο (Β) με καθαρό καύσιμο προσέχοντας να μην το καταστρέψετε.
- 8.1.4. Ξαναβάλτε το φίλτρο (Β) στη δεξαμενή.
- 8.1.5. Κλείστε την τάπα (Α).

### ►► 8.2. ΦΙΛΤΡΟ ΑΝΑΡΡΟΦΗΣΗΣ, (ΕΙΚ. 10) ΑΝΑΛΟΓΑ ΜΕ ΤΟ ΜΟΝΤΕΛΟ:

- 8.2.1. Αφαιρέστε το ποτήρι (Α).
- 8.2.2. Αφαιρέστε το φίλτρο (Β) από το ποτήρι προσέχοντας να διατηρήσετε αναλλοίωτες τις σιμούχες.
- 8.2.3. Καθαρίστε το φίλτρο (Β) με καθαρό καύσιμο προσέχοντας να μην το καταστρέψετε.
- 8.2.4. Ξανατοποθετήστε το φίλτρο (Β) στο ποτήρι.
- 8.2.5. Ξανατοποθετήστε το ποτήρι (Α) προσέχοντας να τοποθετήσετε ξανά σωστά τις σιμούχες.

### ►► 8.3. ΦΙΛΤΡΟ ΑΝΤΛΙΑΣ ΚΑΥΣΙΜΟΥ:

Δείτε το πρόγραμμα της προληπτικής συντήρησης.

## **9. ΑΠΟΘΗΚΕΥΣΗ ΚΑΙ ΜΕΤΑΦΟΡΑ**

**ΠΡΟΕΙΔΟΠΟΙΗΣΗ:** Πριν από οποιαδήποτε μετακίνηση θα πρέπει να σταματήσετε το θερμαντήρα (ΔΕΙΤΕ ΠΑΡΑΓΡ. 7.3.), αφαιρέστε την ηλεκτρική τροφοδοσία βγάζοντας το φις από την ηλεκτρική πρίζα (ΕΙΚ. 11), περιμένετε να κρυώσει πλήρως ο θερμαντήρας και βεβαιωθείτε ότι η τάπα της δεξαμενής είναι καλά κλεισμένη προκειμένου να αποφύγετε διαρροές του καυσίμου. Όταν χειρίζεστε το θερμαντήρα κρατήστε τον σε επίπεδη θέση.

**ΠΡΟΚΕΙΜΕΝΟΥ ΝΑ ΔΙΑΤΗΡΗΣΕΤΕ ΟΣΟ ΓΙΝΕΤΑΙ ΚΑΛΥΤΕΡΑ ΤΟ ΘΕΡΜΑΝΤΗΡΑ ΣΑΣ ΣΥΝΙΣΤΟΥΜΕ ΝΑ ΑΚΟΛΟΥΘΗΣΕΤΕ ΤΗΝ ΕΞΗΣ ΔΙΑΔΙΚΑΣΙΑ:**

- 9.1. Αδειάστε τη δεξαμενή από το καύσιμο υλικό αφαιρώντας την τάπα της εκκένωσης που βρίσκεται στο βάθος της δεξαμενής (ΕΙΚ. 12). Απορρίψτε το καύσιμο υλικό σωστά σύμφωνα με τους ισχύοντες κανονισμούς.
- 9.2. Αν παρατηρήσετε την παρουσία καταλοίπων χύστε καθαρό καύσιμο στη δεξαμενή και αδειάστε ξανά.
- 9.3. Κλείστε την τάπα εκκένωσης και της δεξαμενής.
- 9.4. Προκειμένου να διατηρήσετε όσο γίνεται καλύτερα το θερμαντήρα σας συνηγορούμε να τον αποθηκεύσετε σε ξηρό χώρο που προστατεύεται από το ενδεχόμενο εξωτερικής ζημιάς.

## **10. ΣΥΝΔΕΣΗ ΘΕΡΜΟΣΤΑΤΗ ΠΕΡΙΒΑΛΛΟΝΤΟΣ**

Στα μοντέλα με προαιρετική σύνδεση θερμοστάτη, αφαιρέστε την τάπα που συνδέεται με το θερμαντήρα και συνδέστε το θερμοστάτη περιβάλλοντος (προαιρετικό) (ΕΙΚ. 13-14).



**ΠΡΟΕΙΔΟΠΟΙΗΣΗ: ΠΡΙΝ ΕΚΤΕΛΕΣΕΤΕ ΟΠΟΙΑΔΗΠΟΤΕ ΣΥΝΤΗΡΗΣΗ Ή ΕΠΙΣΚΕΥΗ, ΑΠΟΣΥΝΔΕΣΤΕ ΤΟ ΚΑΛΩΔΙΟ ΤΡΟΦΟΔΟΣΙΑΣ ΑΠΟ ΤΟ ΗΛΕΚΤΡΙΚΟ ΔΙΚΤΥΟ ΚΑΙ ΒΕΒΑΙΩΘΕΙΤΕ ΟΤΙ Ο ΘΕΡΜΑΝΤΗΡΑ ΕΙΝΑΙ ΚΡΥΟΣ.**

## 11. ΠΡΟΛΗΠΤΙΚΟ ΠΡΟΓΡΑΜΜΑ ΣΥΝΤΗΡΗΣΗΣ

ΕΞΑΡΤΗΜΑ	ΣΥΧΝΟΤΗΤΑ ΣΥΝΤΗΡΗΣΗΣ	ΔΙΑΔΙΚΑΣΙΑ ΣΥΝΤΗΡΗΣΗΣ
Δεξαμενή του καυσίμου	Καθαρίζετε μια φορά το χρόνο ή όσο χρειάζεται	Αδειάστε και ξεπλύνετε τη δεξαμενή με καθαρό καύσιμο (ΔΕΙΤΕ ΠΑΡΑΓΡ. 9.)
φίλτρα	Καθαρίστε ή αντικαταστήστε μια φορά το χρόνο ή όσο χρειάζεται (ελέγξτε την ακεραιότητα)	Καθαρίστε τα φίλτρα (ΔΕΙΤΕ ΠΑΡΑΓΡ. 8.)
Φίλτρο αντλίας καυσίμου	Καθαρίστε ή αντικαταστήστε μια φορά το χρόνο ή όσο χρειάζεται (ελέγξτε την ακεραιότητα)	Απευθυνθείτε στην υπηρεσία τεχνικής υποστήριξης
Ηλεκτρόδια	Καθαρίστε ανάλογα με τις ανάγκες	Απευθυνθείτε στην υπηρεσία τεχνικής υποστήριξης
Ανεμιστήρας	Καθαρίστε ανάλογα με τις ανάγκες	Απευθυνθείτε στην υπηρεσία τεχνικής υποστήριξης
Θάλαμος καύσης	Καθαρίστε ανάλογα με τις ανάγκες	Απευθυνθείτε στην υπηρεσία τεχνικής υποστήριξης

## 12. ΠΡΟΣΔΙΟΡΙΣΜΟΣ ΤΟΥ ΠΡΟΒΛΗΜΑΤΟΣ

ΠΡΟΒΛΗΜΑ	ΠΙΘΑΝΗ ΑΙΤΙΑ	ΠΙΘΑΝΗ ΛΥΣΗ
Δεν ενεργοποιείται ο θερμαντήρας ή δεν παραμένει αναμμένος	<ol style="list-style-type: none"> <li>1. Διακόπτης ανάφλεξης σε θέση "0"</li> <li>2. Έλλειψη τροφοδοσίας</li> <li>3. Διακεκομμένο καλώδιο τροφοδοσίας</li> <li>4. Ηλεκτρονικό σύστημα σε εμπλοκή ή ελαττωματικό</li> <li>5. Λάθος προγραμματισμός του θερμοστάτη περιβάλλοντος (όπου υπάρχει)</li> <li>6. Απουσία καυσίμου</li> <li>7. Παρουσία ξένων ουσιών στο κύκλωμα του καυσίμου</li> </ol>	<ol style="list-style-type: none"> <li>1. Μεταφέρετε το διακόπτη ανάφλεξης στη θέση "ΦΛΟΓΑ" (Α ΕΙΚ. 5)</li> <li>2a. Τοποθετήστε σωστά το καλώδιο τροφοδοσίας στην ηλεκτρική πρίζα (ΕΙΚ. 4)</li> <li>2b. Ελέγξτε τη σωστή τάση της εγκατάστασής σας</li> <li>3. Απευθυνθείτε στην υπηρεσία τεχνικής υποστήριξης</li> <li>4a. Επαναφέρετε το θερμαντήρα (ΔΕΙΤΕ ΠΑΡΑΓΡ. 7.2.)</li> <li>4b. Απευθυνθείτε στην υπηρεσία τεχνικής υποστήριξης</li> <li>5. Ενεργήστε στο θερμοστάτη περιβάλλοντος μεταφέροντάς τον σε θερμοκρασία ανώτερη από εκείνη του περιβάλλοντος λειτουργίας (ΕΙΚ. 6)</li> <li>6. Γεμίστε με καύσιμο ξανά και ενδεχομένως επαναφέρετε το θερμαντήρα</li> <li>7a. Αδειάστε και γεμίστε τη δεξαμενή με καθαρό καύσιμο (ΔΕΙΤΕ ΠΑΡΑΓΡ. 9.)</li> <li>7b. Καθαρίστε τα φίλτρα (ΔΕΙΤΕ ΠΑΡΑΓΡ. 8.)</li> <li>7c. Απευθυνθείτε στην υπηρεσία τεχνικής υποστήριξης</li> </ol>
Ο θερμαντήρας παράγει καπνό κατά τη διάρκεια της λειτουργίας	<ol style="list-style-type: none"> <li>1. Παρουσία ξένων ουσιών στο κύκλωμα του καυσίμου</li> <li>2. Απόφραξη της λήψης αέρα εισόδου</li> <li>3. Εσφαλμένη παροχή αέρα</li> </ol>	<ol style="list-style-type: none"> <li>1a. Αδειάστε και γεμίστε τη δεξαμενή με καθαρό καύσιμο (ΔΕΙΤΕ ΠΑΡΑΓΡ. 9.)</li> <li>1b. Καθαρίστε τα φίλτρα (ΔΕΙΤΕ ΠΑΡΑΓΡ. 8.)</li> <li>1c. Απευθυνθείτε στην υπηρεσία τεχνικής υποστήριξης</li> <li>2. Αφαιρέστε όλες τις πιθανές αποφράξεις της λήψης αέρα</li> <li>3. Ρυθμίστε το κλείστρο αέρα που βρίσκεται κάτω από τον ανεμιστήρα στο πίσω μέρος του θερμαντήρα (προς τα αριστερά το κλείστρο κλείνει, προς τα δεξιά το κλείστρο ανοίγει)</li> </ol>
Ο θερμαντήρας δεν απενεργοποιείται	<ol style="list-style-type: none"> <li>1. Ελαττωματικό ηλεκτρονικό σύστημα</li> </ol>	<ol style="list-style-type: none"> <li>1. Απευθυνθείτε στην υπηρεσία τεχνικής υποστήριξης</li> </ol>



**重要事项：** 在对该加热器进行组装、投入运行或维修之前，请阅读并理解该操作手册。对加热器错误的使用可能会引起重大或致命的伤害。请妥善保管该手册以便日后参考。

## 1. 说明


这一暖空气加热器系列特别适合中型或大型的环境和空间。


间接加热的加热器（图示 1），通过热交换器，可以将排入环境中的热空气和燃气分离开来。通过这种方法，可以向需要加热的地点输送干净空气并且将烟排到外面。

这些热空气加热器是按照最新的安全准则、功能标准和使用寿命标准设计而成。安全设备可以保证加热器始终按照正确的方法运行。

## 2. 安全信息

提醒

 **重要事项：** 这个装置不得由在身体上、感觉上和精神上条件不足的人（包括儿童）或者不具备专业知识的人使用，除非有另外一个负责人对他们的安全进行监管。要看管好儿童确保其不要玩耍这些装置。

 **危险：** 一氧化碳窒息会带来生命危险。

一氧化碳窒息的最初的症状与感冒的症状很相似，头痛，眩晕和/或恶心。这些症状可能会由加热器的不良运行所引起。如果出现了这些症状，应该立即走出到开放的环境中，并让技术支持中心来对加热器进行修理。

### ▶▶2.1. 参考信息：

- ▶2.1.1. 负责项目的员工应该具备相关的资质并且要对厂商的指导说明和与加热器燃料添加安全有关的法律非常熟悉。
- ▶2.1.2. 只能使用加热器铭牌上明确规定的燃料种类。
- ▶2.1.3. 在给加热器添加燃料前，应该关闭加热器并等待其冷却。
- ▶2.1.4. 燃料储存罐必须位于一个单独的房间中。

- ▶2.1.5. 按照法律规定，所有燃料罐应位于与加热器最小安全距离以外的地方。
- ▶2.1.6. 燃料必须放置在不会产生渗漏的地板上。任何细微的泄露都有可能引起火灾。
- ▶2.1.7. 对燃料的保存应该符合法律的要求。
- ▶2.2. 安全：
- ▶2.2.1. 任何情况下不得在有汽油、油漆溶液或其它易燃蒸气的地方使用加热器。
- ▶2.2.2. 在加热器使用期间，要遵守所有当地法令和现行法律的规定。
- ▶2.2.3. 如果加热器的位置相邻一些面料、窗帘或其它相似材料的遮盖物，应该与这些材料保持一定的安全距离。建议使用防火材料的遮盖物。
- ▶2.2.4. 只能用于通风好的区域。按照法律的要求设置一个通风口，使外部的新鲜空气可以进入。
- ▶2.2.5. 只能使用符合铭牌上规定电压和频率的电源。
- ▶2.2.6. 只能使用可以正确连接在机器上的插接件。
- ▶2.2.7. 建议加热器和易燃物质之间的最小安全距离为：前方= 2.5 m；左右侧、上方和后方= 1.5 m。
- ▶2.2.8. 将发热的或正在运行中的加热器放置在一个稳固和水平的平面，以避免发生火灾。
- ▶2.2.9. 将动物保持在与加热器安全距离以外的地方。
- ▶2.2.10. 在不使用加热器时，应拔掉其电源。
- ▶2.2.11. 当连接有温控器时，加热器可能随时打开。
- ▶2.2.12. 任何情况下不得在经常居住的房间使用加热器，也不能在卧室中使用。
- ▶2.2.13. 在任何时候不能堵塞加热器的入气口和出气口（前侧）。

- ▶2.2.14. 当加热器变热后或者连接到电网后或者在运行过程中，不能对其进行移动、操作、加燃料或维修。
- ▶2.2.15. 避免使用非原厂套件（如适用）铺设空气输入和/或输出管道。
- ▶2.2.16. 加热器的发热部件要与易燃和不耐热的材料保持适当的距离（包含电源线）。
- ▶2.2.17. 如果电源线有损坏，应该由技术支持中心对其进行更换，以防止出现各种危险。

### 3. 拆除包装

**提醒：** 包装材料不属于儿童玩具。请将塑料袋放置远离儿童可以接触的地方；有窒息的危险！

- ▶3.1. 拆除所有用于包装和运输加热器的材料。按照法律的规定对其进行垃圾处理。
- ▶3.2. 如果加热机器人放置在移动平台上，请避免快速剧烈的移动。
- ▶3.3. 检查是否在运输过程中有所损坏。如果加热器出现损坏，应该立即通知购货的代理商。

### 4. 组装

这些加热器根据其型号（图示2）配置有轮子、把手和出烟筒。这些部件以及相关的螺母螺栓都在加热器的包装里。

### 5. 燃料

**提醒：** 加热器只使用柴油或煤油。

只能使用柴油或煤油，避免火灾和爆炸的危险。任何时候不得使用汽油、石脑油、油漆溶剂、酒精或其它易燃燃料。在温度很低的情况下要使用无毒的防冻液。当低于5°C的时候，建议使用冬季柴油。

### 6. 运行原理

A. 燃烧室和燃烧头，B. 风扇，C. 电动机，D. 泵，E. 燃料箱，F. 出烟筒。

油泵将燃料从油箱吸出，并提升到进行下一环节所需的压力，然后将燃料从油嘴处喷入燃烧室。燃烧是由燃料和空气混合产生的。空气是通过电机带动的风叶旋转产

生的。在直燃机型中燃烧产生的热空气直接进入需要加热的环境中。在间接燃烧的机型中燃烧产生的热空气可以通过耐高温的软管进入需要加热的环境。由电子程控器控制的一整套的探测系统对暖风机的燃烧保持了全程的监控和控制，用以避免和防止因意外引起的停机或事故。

## 7. 运行

**提醒：** 在启动加热器之前，要仔细阅读“安全信息”中的内容。

- ▶▶7.1. 启动加热器：
  - ▶7.1.1. 遵守所有有关的安全说明
  - ▶7.1.2. 检查燃料箱中的燃料量。
  - ▶7.1.3. 关闭燃料箱的盖（图3）。
  - ▶7.1.4. 将电源插头连接到电网上（图4）（参见“技术数据表”中电压）。
  - ▶7.1.5. 将点火的开关调到“火焰”位置（A图5）。加热器应该在几秒钟内打开。如果加热器没有启动，请参阅“12段落问题识别”。
  - ▶7.1.6. 要获得最大功率，请将电源的开关定位在适“双火焰”位置（B图5）。
  - ▶7.1.7. 加热器可用于通风模式，为了激活此功能，将点火的开关定位在“风扇”位置（A图5）。
  - ▶7.1.8. 对于带房间温控器的型号，请检查设定的温度（图6）。

注意：如果由于燃料耗尽而导致加热器停止运行，应该向油箱里补充燃料，并重新启动加热器（参见7.2.一节中的说明）。

**重要事项：** 在间接燃烧的机型中，燃烧产生的热空气可以通过管道输送到需要的地方。请严格按照当地相关的法律法规和本手册中的相关章节来布设上述管道。

- ▶▶7.2. 重启暖风机：
 

如果在正常运行中出现异常情况，加热器会自动停止。当重启按钮上的红灯持续亮起时（图7），说明暖风机需要重启。将重启键按到底可以将暖风机重启（图8）。在重启前，请确定并排除导致设备停机的原因。（比如：因进出风口堵塞导致的风机停机等）如不能解决故障，请联系您的经销商或者附近的指定维修点。

### ▶▶7.3. 清洁过滤器：

将“I/O”开关调到“0”的位置（A 图示 5）。火焰将会熄灭，但风扇继续运转，直到燃烧烟筒完全冷却。在冷却程序完成之前不得拔掉电线。

## 8. 清洁过滤装置

根据使用的燃料品质，可能需要定期清理过滤器。

### ▶▶8.1. 加油过滤器（图示 9）：

- ▶8.1.1. 拿掉油箱上的盖子（A）。
- ▶8.1.2. 取出燃料箱的过滤装置（B）。
- ▶8.1.3. 用干净的燃料对过滤装置（B）进行清洁，注意不要将其损坏。
- ▶8.1.4. 重新将过滤装置（B）安装到油箱上。
- ▶8.1.5. 关闭箱盖（A）。

### ▶▶8.2. 不同型号的油杯过滤器（图示 10）：

- ▶8.2.1. 拿掉玻璃罩（A）。
- ▶8.2.2. 从罩中取出过滤装置（B），注意要保留好垫圈。
- ▶8.2.3. 用干净的燃料对过滤装置（B）进行清洁，注意不要将其损坏。
- ▶8.2.4. 重新将过滤装置安回罩中。
- ▶8.2.5. 重新安装上玻璃罩，注意要正确安装上垫圈。

### ▶▶8.3. 燃料泵过滤装置： 参见预设的维修计划。

## 9. 保管和运输

**提醒：** 在做任何移动前，应该要先关闭加热器（参见 7.3.一节中的说明），切断电源，拔出电线（图示 11），等待加热器完全冷却并确保燃料箱盖已经关紧，以防燃料溢出。当移动加热器时，要将其保持水平状态。

为了更好的保管加热器，建议按以下程序进行操作：

- ▶9.1. 拿掉油箱底部的排放口的盖，清空燃料油（图示 12）。按照法律的规定对燃料进行正确的垃圾处理。

- ▶9.2. 如果检测到还有残余存在，应将干净的燃料倒入油箱并再次排放。

- ▶9.3. 关闭排放口和燃料箱的盖。

- ▶9.4. 为更好的保管加热器，建议将其放置在干燥和不会受到外界的损害的地方。

## 10. 环境调温器的连接

对于带有调温器连接设置的机型，应拿掉连接在加热器上的盖并连接上环境调温器（图示 13-14）。

**提醒：** 在进行任何维护和修理操作之前，应从电网上拔掉电源线，并保证加热器已冷却。

## 11. 预设的维修计划

组件	维护周期	维护流程
燃料箱	一年清洁一次或根据需要进行清洁	清空燃料箱并用干净的燃料对其进行洗刷（参见第9.节中的说明）
过滤装置	一年清洁或更换一次，或根据需要进行清洁或更换（检查其完整性）	清洁过滤装置（参见第8.节中的说明）
燃料泵过滤装置	一年清洁或更换一次，或根据需要进行清洁或更换（检查其完整性）	咨询技术服务中心
电极	根据需要进行清洁	咨询技术服务中心
风扇	根据需要进行清洁	咨询技术服务中心
燃烧室	根据需要进行清洁	咨询技术服务中心

## 12. 故障解决

问题	可能的原因	可能的解决方案
加热器不能启动或不能保持开启状态	<ol style="list-style-type: none"> <li>1. 开启开关在“0”的位置</li> <li>2. 没有电源</li> <li>3. 电源线断裂</li> <li>4. 电路控制板故障</li> <li>5. 环境调温器设置错误（如适用）</li> <li>6. 缺少燃料</li> <li>7. 在燃料循环系统中有异物</li> </ol>	<ol style="list-style-type: none"> <li>1. 将点火的开关调到“火焰”位置（A图5）</li> <li>2a. 将电源线正确插入电网（图示4）</li> <li>2b. 检查供电系统电压</li> <li>3. 咨询技术服务中心</li> <li>4a. 重设加热器（参见7.2.一节中的说明）</li> <li>4b. 咨询技术服务中心</li> <li>5. 调节环境调温器，将温度调到高于工作环境的温度（图示6）</li> <li>6. 重新添加燃料并在需要的情况下重设加热器</li> <li>7a. 清空燃料箱，然后将干净的燃料重新添加到燃料箱中（参见9.一节中的说明）</li> <li>7b. 清洁过滤装置（参见8.一节中的说明）</li> <li>7c. 咨询技术服务中心</li> </ol>
在运行过程中加热器产生烟雾	<ol style="list-style-type: none"> <li>1. 在燃料循环系统中有异物</li> <li>2. 入气口堵塞</li> <li>3. 供气不正确</li> </ol>	<ol style="list-style-type: none"> <li>1a. 清空燃料箱，然后用干净的燃料重新添加到燃料箱中（参见9.一节中的说明）</li> <li>1b. 清洁过滤装置（参见8.一节中的说明）</li> <li>1c. 咨询技术服务中心</li> <li>2. 去除所有入气口的堵塞物</li> <li>3. 调整位于加热器后部风扇下方的空气卷闸门（向左卷闸门关闭，向右卷闸门打开）</li> </ol>
加热器不能关闭	<ol style="list-style-type: none"> <li>1. 电部件出现故障</li> </ol>	<ol style="list-style-type: none"> <li>1. 咨询技术服务中心</li> </ol>



**МАҢЫЗДЫ: БҰЛ ГЕНЕРАТОРДЫ ЖИНАУ, ЖҰМЫСҚА ҚОСУ НЕМЕСЕ ТЕХНИКАЛЫҚ ҚЫЗМЕТ КӨРСЕТУ АЛДЫНДА ОСЫ ЖҰМЫСШЫ ЖЕТЕКШІЛІКТІ МҰҚИЯТ ОҚЫП, ТҮСІНІП АЛҒАН ЖӨН. ГЕНЕРАТОРДЫҢ ДҰРЫС ЕМЕС ПАЙДАЛАНУЫ ЖАРАҚАТТАРҒА СОҚТЫРУЫ МҮМКІН. БҰЛ ЖЕТЕКШІЛІКТІ АЛДАҒЫ УАҚЫТТА ЖҮГІНУ ҮШІН САҚТАП ҚОЙЫҢЫЗ.**

## **1. СИПАТТАМАСЫ**


Жылытқыштардың бұл сериясы орташа немесе үлкен ауданы бар ғимараттарды жылытуға арналған.


Жанама жылыту жылытқыштары (СУР. 1), өзінің жылу алмастырғышының көмегімен ғимаратқа келетін жанатын өнім газдарын ыстық ауадан бөлуге мүмкіндік береді. Осылайша жалатылатын ғимаратқа таза ыстық ауа келіп түседі, ал жану өнімдері сыртқа шығарылады.

Бұл жылытқыштар қазіргі қауіпсіздік критерийлерімен, функционалдығы және беріктілігімен сәйкес әзірленген. Қорғаныс құралдары жылытқыштың дұрыс жұмыс жасауына кепілдік береді.

## **2. ҚАУІПСІЗДІК ТУРАЛЫ**

### **АҚПАРАТ ЕСКЕРТУЛЕР**

 **МАҢЫЗДЫ:** Жылытқышты физикалық, сенсорлық, ой шектеулері бар (соның ішінде балаларға) адамдарға пайдалануға болмайды. Жылытқышты қауіпсіздік үшін жауапты адамның қарауынсыз, қажетті өтілі мен білімі жоқ тұлғаларға пайдалануға рұқсат етілмейді. Балаларды қараусыз қалдырмаңыз және оларға қондырғымен ойнауға рұқсат бермеңіз.

 **ҚАУІПТІ:** Тұншықтырғыш газбен улану өлімге соқтыруы мүмкін.

Тұншықтырғыш газбен уланудың алғашқы белгілері тұмаудың алғашқы белгілеріне ұқсайды: бас ауыру, бас айналу және/немесе жүрек айну. Бұл белгілер жылытқыш жұмысының дұрыс істемейінен болуы мүмкін. **ЕГЕР ДЕ ЖОҒАРЫДА АЙТЫЛҒАН БЕЛГІЛЕР ПАЙДА БОЛСА ДЕРЕУ АШЫҚ АУАҒА ШЫҒЫҢЫЗ**, сонымен қатар жылытқышқа жөндеу жұмыстарын өткізу үшін техникалық қызмет көрсету орталығына жолығыңыз.

#### **▶▶ 2.1. ТОЛТЫРУ:**

▶ 2.1.1. Толтыруға жауапты қызметкерлер маманданған, өндіруші жетекшілігін жақсы білетін және жылытқыштарды қауіпсіз толтыру бойынша сәйкес ережелерді білетін адам болуы керек.

▶ 2.1.2. Тек қана жылытқыш кестесінде көрсетілген жанармай түрін ғана пайдалану керек.

▶ 2.1.3. Толтыру алдында жылытқышты өшіріп, оның суығанын күту керек.

▶ 2.1.4. Жанармайды сақтауға арналған ыдыстар бөлек ғимараттарда сақталуы керек.

▶ 2.1.5. Барлық жанармай ыдыстары әрекеттегі ережелерге сәйкес жылытқыштан минималды қауіпсіз ара-қашықтықта сақталуы керек.

▶ 2.1.6. Жанармай өртенуге себеп бола алмайтындай, жанармайдың ағып кетуі немесе өтіп кетпейтіндей негіздің бетінде сақталуы керек.

▶ 2.1.7. Жанармайдың сақталуы әрекеттегі заңнамалардың ережелері мен талаптарына сәйкес болуы керек.

#### **▶▶ 2.2. ҚАУІПСІЗДІК:**

▶ 2.2.1. Жылытқышты жанармай, сыр еріткіш немесе басқа да тез жанатын сұйықтықтар бар ғимараттарда пайдалануға болмайды.

▶ 2.2.2. Қондырғыны пайдаланған кезде әрекеттегі заңнамалардың барлық ережелері мен талаптарын орындау керек.

▶ 2.2.3. Брезент, кенеп мата немесе сол сияқты материалдардың жанында пайдаланылатын жылытқыштар олардан қауіпсіз ара-қашықтықта орналастырылуы керек. Сонымен қатар отқа төзімді материалдармен жабу да ұсынылады.

▶ 2.2.4. Жылытқышты тек қана қажеттілігінше ашық және жақсы желденетін жерлерде, әрекеттегі ережелер мен талаптарға сәйкес сырттағы таза ауа ағынын қамтамасыздандыру мақсатымен, пайдалану керек.

▶ 2.2.5. Тоқ көзінің кернеуі/жиілігі жылытқышта орнатылған кестеде көрсетілген берілгендерге сәйкес болуы керек.

▶ 2.2.6. Тек қана жерлендірілген ұзартқыштарды ғана пайдалану керек.

▶ 2.2.7. Жылытқыш пен тез жанатын заттардың арасындағы минималды қауіпсіз ұсынылатын ара-қашықтық: алдынан = 2,5 м; жанынан, жоғарыдан және артынан = 1,5 м.

▶ 2.2.8. Өрттің алдын алу үшін жұмыс істеп тұрған немесе ыстық жылытқыш тұзу жіне тұрақты негізде орнатылуы керек.

▶ 2.2.9. Жануарлар жылытқыштан қауіпсіз ара-қашықтықта болуы керек.

▶ 2.2.10. Егер де жылытқыш қолданылмаса, оны тоқ жүйесінен өшіріп тастау керек.

▶ 2.2.11. Термостатпен басқарылатын өшірілмеген жылытқыш кез-келген кезде өздігінен қосылып кетуі мүмкін.

▶ 2.2.12. Жылытқышты еш уақытта адамдар жиі болатын жерлерде, сонымен қатар жататын ғимараттарда қолдануға болмайды.

▶ 2.2.13. Жылытқыштағы ауа алғышты, сонымен қатар ауа шыққышты (алдыңғы жағындағы) еш уақытта жаппай керек.

- ▶ 2.2.14. Тоқ жүйесіне қосулы тұрған жылытқыштың орнын ауыстыру, толтырылуы, ыстықжылытқышқа техникалық қызмет көрсетілуіне тиым салынады.
- ▶ 2.2.15. Қосымша ауа өткізгіштерді жалғау түпнұсқалы жиынтық көмегімен орындау керек (егер де оларды жалғау мүмкіндігі бар болса).
- ▶ 2.2.16. Қызған жылытқыш жанатын немесе тез жанатын материалдардан қауіпсіз арақашықтықта болуы керек (соның ішінде қуаттандырғыш сымы).
- ▶ 2.2.17. Егер де электр қуаттандырғын сымы зақымданған болса, оны қайғылы оқиғаның алдын алу үшін техникалық қызмет көрстеу орталығында ауыстыру керек.

### 3. БУМАДАН ШЫҒАРУ

**ЕСКЕРТУ:** Орама материалы – балаларға ойыншық емес. Пластик пакетін балалардан буыну қаупінің алдын-алу үшін алшақ ұстау керек!

- ▶ 3.1. Жылытқышты орау мен тасымалдауда қолданылған барлық орама материалдарын алып тастаңыз. Әрекеттегі талаптарға сәйкес кәдеге жаратыңыз.
- ▶ 3.2. Егер де жылытқыш поддонға орнатылса, оны поддоннан абайлап шешіңіз.
- ▶ 3.3. Тасымалдау кезінде қандай да бір ақаулардың жоқ екендігіне көз жеткізіңіз. Егер де жылытқышта ақаулар бар болатын болса дереу сатушы өкіліне, тауарды сатып алған жерге хабарлаңыз.

### 4. ЖИНАУ

Модельге байланысты жылытқыштар дөңгелек, ұстағыш және түтіндікпен қамтамасыздандырылған (СУР. 2). Бұл компоненттер, сәйкес жөндеу жұмыстарына арналған бекіту құралдарымен бірге жылытқыштың қорабында.

### 5. ЖАНАРМАЙ

**ЕСКЕРТУ:** Жылытқыш тек қана ДИЗЕЛЬ жанармайы немесе КЕРОСИНмен ғана жұмыс істейді.

Өрт немесе жарылыстың алдын алу үшін дек қана дизель жанармайын немесе керосин қолданыңыз. Ешқашан жанармай, мұнай, сырға арналған еріткіштер, спирт немесе басқа да тез жанатын сұйықтықтар түрін пайдаланбаңыз. Егер де төмен температуралар болатын болса уландырғыш емес антифриз қолданыңыз. Қоршаған орта температурасы 5°C төмен болған кезде қысқы дизель пайдалану ұсынылады.

### 6. ЖҰМЫС ҚАҒИДАТЫ

**А.** Жану камерасы мен шілтер, **В.** Крыльчатка, **С.** Қозғалтқыш, **Д.** Сорғы, **Е.** Бак, **Ф.** Түтіндік.

Сорғы бактан жанармайды сорып алады, оны жұмыс қысымына дейін жеткізеді. Жанармай жану камерасында тозаңға айналатындай

форсункаға беріледі. Жанармай ауасымен араласқан жану өнімдері ауа ағынының көмегімен сыртқа итеріледі, крыльчатканың айналуымен болады. Тура жылытуы бар модельдерде жану өнімдері жылытылатын бөлмеге шығарылады, ал жанама жылыту модельдерінде түтіндік көмегімен жылытылатын ғимараттың сыртына шығуы керек. Басқарудың электронды платасына жалғанған құрылғы жүйесі жылытқыштың дұрыс жұмысын қамтамасыздандырады және ақау табылған кезде оның жұмысын тоқтатады.

## 7. ЖҰМЫСЫ

**ЕСКЕРТУ:** Жылытқышты қосу алдында «ҚАУІПСІЗДІК ТЕХНИКАСЫ БОЙЫНША АҚПАРАТТЫ» мұқият оқыңыз.

### ▶▶ 7.1. ЖЫЛЫТҚЫШТЫ ҚОСУ:

- ▶ 7.1.1. Барлық қауіпсіздік техникасы нұсқауларын орындаңыз.
- ▶ 7.1.2. Бакте отынның бар-жоғын тексеріңіз.
- ▶ 7.1.3. Бак қақпағын жабыңыз (СУР. 3).
- ▶ 7.1.4. Қуаттау ашасын электр желісіне қосыңыз (СУР. 4) (КЕРНЕУ ТАРАУЫН «ТЕХНИКАЛЫҚ ДЕРЕКТЕР КЕСТЕСІНДЕ» ҚАР.).
- ▶ 7.1.5. Тұтандыру ауыстырып-қосқышын «Жалын» қалпына бұрып қойыңыз (А СУР. 5). Жылытқыш бірнеше секунд ішінде қосылуы керек. Егер жылытқыш аспап іске қосылмаса, «12. МӘСЕЛЕНІ ТАБУ» тарауды қараңыз.
- ▶ 7.1.6. Барынша қуаттылық алу үшін қуаттылық ауыстырып-қосқышын «ҚОС ЖАЛЫН» қалпына орнатыңыз (В СУР. 5).
- ▶ 7.1.7. Жылытқыш аспап желдету режимінде пайдалануы мүмкін, осы атқарымды іске қосу үшін тұтандыру ауыстырып-қосқышын «ЖЕЛДЕТКІШ» қалпына белгілеп қойыңыз (А СУР. 5).
- ▶ 7.1.8. Бөлмелік термостатпен үлгілері үшін нұсқалған температураны тексеріңіз (СУР. 6).

**ЕСКЕРТУ:** ЕГЕР ДЕ ЖЫЛЫТҚЫШ ЖАНАРМАЙДЫҢ ТОЛЫҚ ТАУЫСЫЛЫП ҚАЛУ СЕБЕБІНЕН ӨШІП ҚАЛСА, БАКҚА ЖАНАРМАЙ ТОЛТЫРЫП ТҮСІРУ БАСҚЫШЫН БАСУ КЕРЕК (7.2 ПАРАГРАФТЫ ҚАРАҢЫЗ).

**МАҢЫЗДЫ:** Жанама жылытуы бар модельдерде жану өнімдері сыртқа шығарылуы керек. ТҮТІНДІКТІ ӘРЕКЕТТЕГІ ЕРЕЖЕЛЕР МЕН ТАЛАПТАРҒА САЙ ОРНАТУ КЕРЕК ЖӘНЕ ОСЫ НҰСҚАУЛЫҚТЫҢ СӘЙКЕС ТАРАУЫНДА КЕЛТІРІЛГЕН ШАРТТАРҒА СӘЙКЕС ОРНАТУ КЕРЕК.

### ▶▶ 7.2. ЖЫЛЫТҚЫШТЫ ЫҒЫСТЫРУ:

Егер де ақау табылған болса, жылытқыш блокталады. Егер де тастау басқышы қызыл шаммен жанып тұрса (СУР. 7), демек параметрлерді тастау керек. Тастау тастау батырмасын толық басу арқылы жүзеге асады (СУР. 8). жылытқышты қайта іске қосу алдында блокталуға соқтырған себепті тауып, оны жою керек (мысалы ауаалғыштың кіре берісіндегі және/немесе ауаның шығуындағы бөгет, желдеткіштің тоқтап қалуы және т.б.). егер де блокталуға себепші болған проблеманы жою

мүмкіндігі болмаса, қызмет көрсету орталығына жүгініңіз.

### ►► 7.3. ЖЫЛЫТҚЫШТЫ ӨШІРУ:

Ауыстырғышты “I/O” қалпынан “0” қалпына ауыстырыңыз (А СУР. 5). от өшеді, ал желдеткіш жану камерасының толық сууына дейін жұмыс істеп тұрады.

Жылытқышты желіден салқындату айналымы толық аяқталмағанша ажыратпаңыз.

## **8. ФИЛЬТРЛЕРДІ ТАЗАЛАУ**

**ПАЙДАЛАНЫЛАТЫН ЖАНАРМАЙ САПАСЫНА БАЙЛАНЫСТЫ ФИЛЬТРЛЕРДІ ТАЗАЛАУ ҚАЖЕТ БОЛУЫ МҮМКІН.**

### ►► 8.1. ЖАНАРМАЙ ТОЛТЫРУ ФИЛЬТРИ (СУР. 9):

- 8.1.1. Бактың (А) тығынын шешіңіз.
- 8.1.2. Бактан (В) фильтрін алыңыз.
- 8.1.3. (В) фильтрін таза жанармаймен жуыңыз, абайлаңыз, оны зақымдап алмаңыз.
- 8.1.4. (В) фильтрін бакқа орнатыңыз.
- 8.1.5. (А) тығынын жабыңыз.

### ►► 8.2. ЖАНАРМАЙ ФИЛЬТРИ (СУР. 10), МОДЕЛЬГЕ БАЙЛАНЫСТЫ:

- 8.2.1. Стаканды шешіңіз (А).
- 8.2.2. Стаканнан (В) фильтрін алыңыз, абайлаңыз, төсемшелерге зақым тигізбеңіз.
- 8.2.3. Таза жанармаймен, абайлап, зақымдап алмай, (В) фильтрін жуыңыз.
- 8.2.4. Стаканға (В) фильтрін орнатыңыз.
- 8.2.5. Стаканды (А) орнына, абайлап, төсемшелерді дұрыс орнату үшін, орнатыңыз.

### ►► 8.3. ЖАНАРМАЙ СОРҒЫШЫНЫҢ ФИЛЬТРИ:

Алдын ала техникалық қызмет көрсету бағдарламасын қараңыз.

## **9. САҚТАУ МЕН ТАСЫМАЛДАУ**

**ЕСКЕРТУ:** Кез-келген орын ауыстыру алдында жылытқышты розеткадан штепсельді вилкасын шығару (СУР. 11) арқылы электр желісінен өшіру керек (7.3 ПАРАГРАФЫН ҚАРАҢЫЗ), жылытқыштың толық сууын күтіп, жанармай ағып кетудің алдына алу үшін бактың тығыны тығыз жабылып тұрғанына көз жеткізіңіз. Жылытқыштың орнын ауыстыру алдында оны тік қалпында және төгіс жерде ұстап тұру керек.

- 9.3. Бактың құйғыш тетігінің тығынын жабыңыз.
- 9.4. Жылытқышты мүмкін болатын сыртқы сақтау ұсынылады.

## **10. БӨЛМЕ ТЕРМОСТАТЫН ЖАЛҒАУ**

Бөлме термостатын жалғау мүмкіндігі бар модельдерде қақпақты шешіп бөлме термостатын жалғау керек (опционалды) (СУР. 13-14).

**kk** ЖЫЛЫТҚЫШТЫ САҚТАУДЫҢ ОПТИМАЛДЫ ШАРТТАРЫН ҚАМТАМАСЫЗДАНДЫРУ МАҚСАТЫНДА ҰСЫНЫЛАДЫ:

- 9.1. Бактың түбінде орналасқан құйғыш тығын көмегімен бакты босатыңыз (СУР. 12). Жанармайды әрекеттегі талаптар мен ережелерге сәйкес сәйкес үлгімен кәдеге жаратыңыз.
- 9.2. Қалдықтарды жою үшін таза жанармайды бакқа құйып оны қайта төгіңіз.

**ЕСКЕРТУ: КЕЗ-КЕЛГЕН ТЕХНИКАЛЫҚ ҚЫЗМЕТ КӨРСЕТУ ТҮРІ НЕМЕСЕ ЖӨНДЕУ ЖҰМЫСТАРЫН ЖАСАУ АЛДЫНДА ЭЛЕКТР ЖҮЙЕСІНЕН ЖҮЙЕ СЫМЫН АЖЫРАТЫН, ЖЫЛЫТҚЫШТЫҢ СУЫҒАНДЫҒЫНА КӨЗ ЖЕТКІЗІҢІЗ.**

## **11. АЛДЫН АЛА ТЕХНИКАЛЫҚ ҚЫЗМЕТ КӨРСЕТУ БАҒДАРЛАМАСЫ**

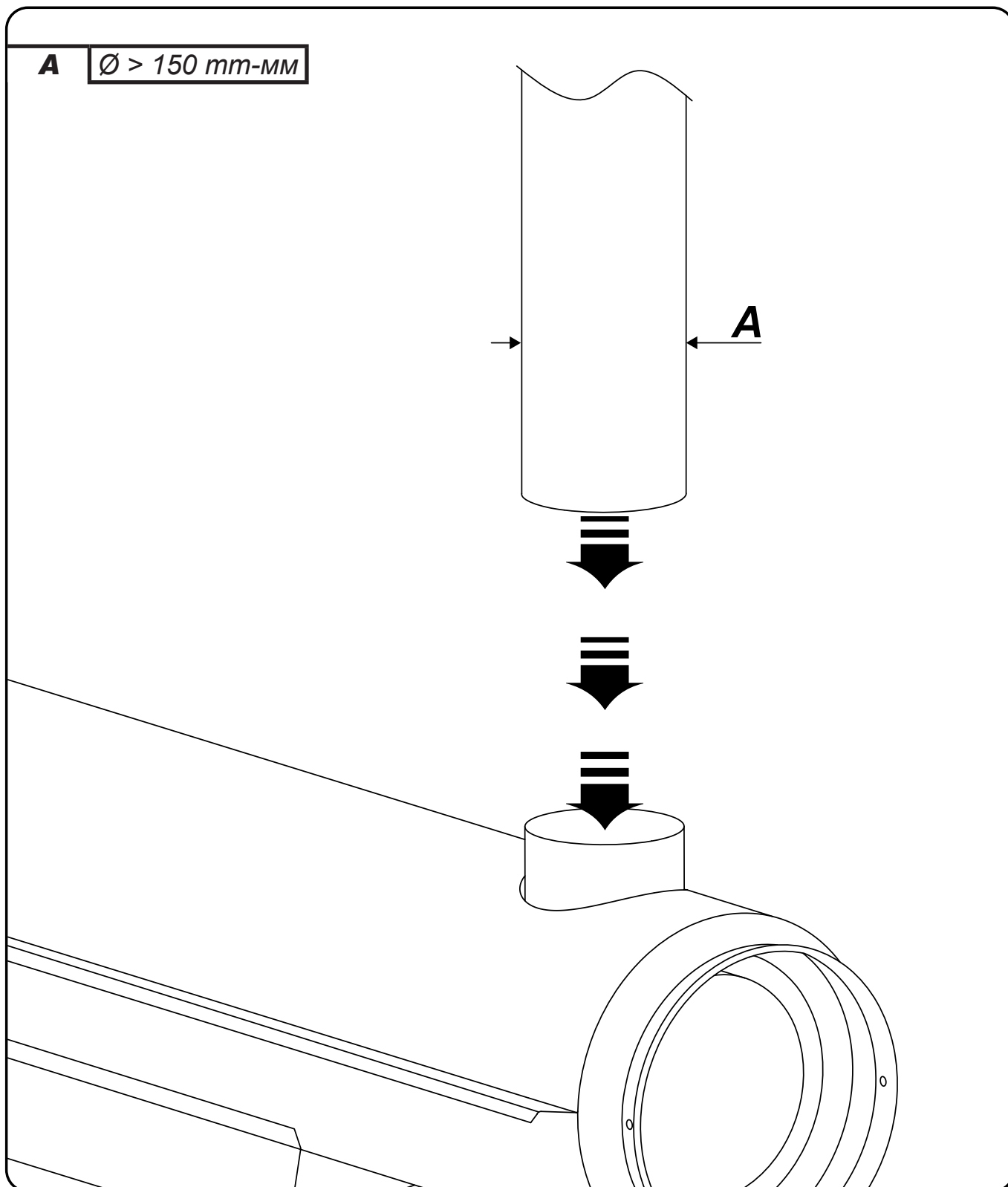
КОМПОНЕНТ	MAINTENANCE FREQUENCY	ТЕХНИКАЛЫҚ ҚЫЗМЕТ КӨРСЕТУ ПРОЦЕДУРАСЫ
Жанармай бағы	Жылына бір рет немесе қажеттілігінше тазалап отыру қажет	Таза жанармай пайдаланып шайып. Төгіп тастау керек (ПАРАГРАФ 9 ҚАРАҢЫЗ)
Фильтрлер	Қажеттілігінше немесе жылына бір рет тазалап немесе ауыстырып тұру қажет (бүтіндігін тексеру)	Фильтрлерді тазалау (ПАРАГРАФ 8 ҚАРАҢЫЗ)
Жанармай сорғысының фильтрі	Қажеттілігінше немесе жылына бір рет тазалап немесе ауыстырып тұру қажет (бүтіндігін тексеру)	Қызмет көрсте орталығына жүгініңіз
Электродтар	Қажеттілігінше тазалау керек	Қызмет көрсте орталығына жүгініңіз
Қрыльчатка	Қажеттілігінше тазалау керек	Қызмет көрсте орталығына жүгініңіз
Жану камерасы	Қажеттілігінше тазалау керек	Қызмет көрсте орталығына жүгініңіз

## **12. ПРОБЛЕМАНЫ АНЫҚТАУ**

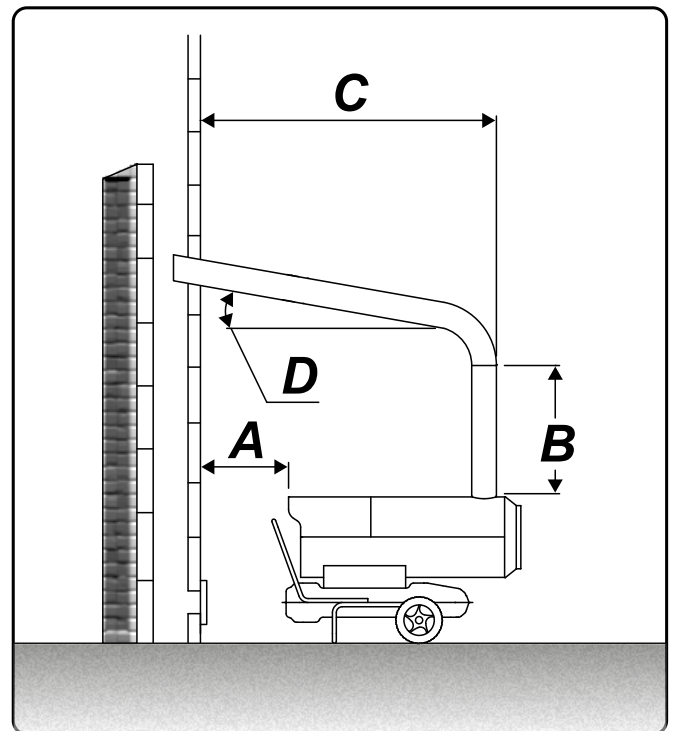
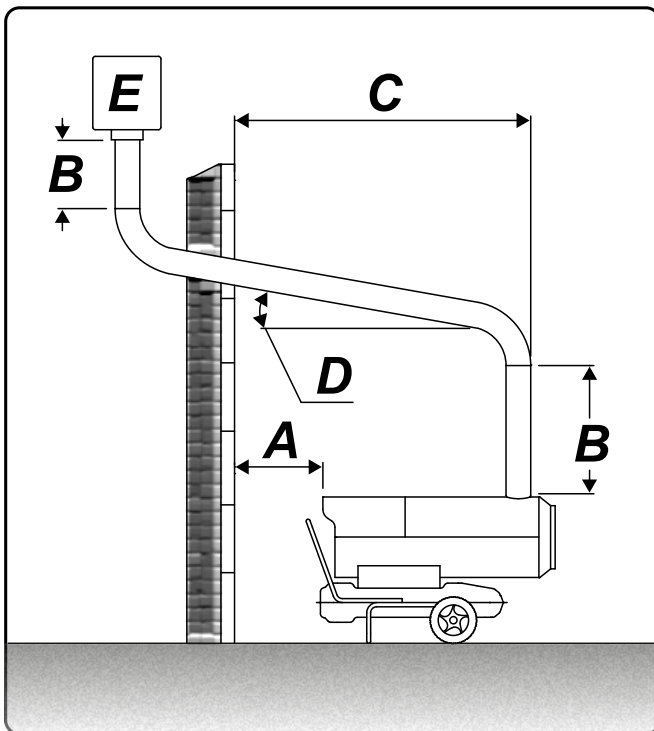
ПРОБЛЕМА	МҮМКІН СЕБЕП	МҮМКІН ШЕШІМ
Жылытқыш қосылмайды немесе қосулы күйінде қалмайды	<ol style="list-style-type: none"> <li>1. Ауыстырғыш «0» қалпанда тұр</li> <li>2. Қуаттың жетіспеуі</li> <li>3. Қуат сымы ажыратылған</li> <li>4. Электроника блокталған немесе жарамсыз</li> <li>5. Ғимарат термостатының дұрыс орнатылмауы (егер ол бар болса)</li> <li>6. Жанармайдың жетіспеушілігі</li> <li>7. Жанармай контурында бөтен заттардың болуы</li> </ol>	<ol style="list-style-type: none"> <li>1. Тұтандыру ауыстырып-қосқышын «Жалын» қалпына бұрып қойыңыз (А СУР. 5)</li> <li>2a. Қуат сымын электр жүйе беретін розеткаға дұрыс орнату (СУР. 4)</li> <li>2b. Сіздің қондырғы кернеуінің дұрыстығын тексеру</li> <li>3. Қызмет көрсету орталығына жүгіну</li> <li>4a. Жылытқыш параметрлерін тастаңыз (ПАРАГРАФ 7.2 ҚАРАҢЫЗ)</li> <li>4b. Қызмет көрсету орталығына жүгіну</li> <li>5. Бөлме термостатын ғимарат термостатының температурасынан жоғары температураға ауыстыру (СУР. 6)</li> <li>6. Жанармай құйып жылытқыш параметрлерін тастаңыз</li> <li>7a. Таза жанармай пайдаланып бакты төгіп толтырыңыз (ПАРАГРАФ 9 ҚАРАҢЫЗ)</li> <li>7b. Фильтрлерді тазалау (ПАРАГРАФ 8 ҚАРАҢЫЗ)</li> <li>7c. Қызмет көрсету орталығына жүгіну</li> </ol>
Жылытқыш жұмыс кезінде түтін шығарады	<ol style="list-style-type: none"> <li>1. Жанармай контурында бөтен заттардың болуы</li> <li>2. Ауаалғыш кіреберісінде кедергінің болуы</li> <li>3. Ауаны дұрыс бермеу</li> </ol>	<ol style="list-style-type: none"> <li>1a. Таза жанармай пайдаланып бакты төгіп толтырыңыз (ПАРАГРАФ 9 ҚАРАҢЫЗ)</li> <li>1b. Фильтрлерді тазалау (ПАРАГРАФ 8 ҚАРАҢЫЗ)</li> <li>1c. Қызмет көрсету орталығына жүгіну</li> <li>2. Ауаалғыштағы мүмкін болған барлық кедергілерді жою</li> <li>3. Желдеткіш астында жылытқыш аспаптың артқы жағында орналасқан ауа жапқышын реттеңіз (сол жаққа - жапқыш жабылады, оң жаққа - жапқыш ашылады)</li> </ol>
Жылытқыш өшпейді	<ol style="list-style-type: none"> <li>1. Электроника ақауланған</li> </ol>	<ol style="list-style-type: none"> <li>1. Қызмет көрсету орталығына жүгіну</li> </ol>



**FLUE CONNECTIONS DIAGRAM - SCHEMA DI FISSAGGIO - HINWEISE FÜR DEN SCHORNSTEINBAU - ESQUEMA DE FIJACIÓN - SCHEMA DE FIXAGE - BEVESTIGINGSSCHEMA - ESQUEMA DE FIXAÇÃO - FASTSPÆNDINGSSKEMA - KIINNITYSKAAVIO - FESTESKJEMA - MONTERINGSSCHEMA - SCHEMAT MOCOWANIA - СХЕМА КРЕПЛЕНИЯ - SCHEMAT MONTAŻU PRZYŁĄCZA KOMINOWEGO - RÖGZÍTÉSI RAJZ - SHEMA ZA PRITRJEVANJE - SABİTLEME ŞEMASI - SHEMA PRIČVRŠĆIVANJA - TVIRTINIMO SCHEMA - NOSTIPRINĀŠANAS SISTĒMA - KINNITAMISE SKEEM - SCHEMĂ DE FIXARE - SCHEMA ZAPOJENIA DYMOVODU - СХЕМА ЗА ЗАКРЕПВАНЕ - СХЕМА КРИПЛЕННЯ - ŠEMA PRIČVRŠĆIVANJA - ΣΧΗΜΑ ΣΤΕΡΕΩΣΗΣ - 固定装置示意图 - БЕКИТУ СҮЛБЕСИ**



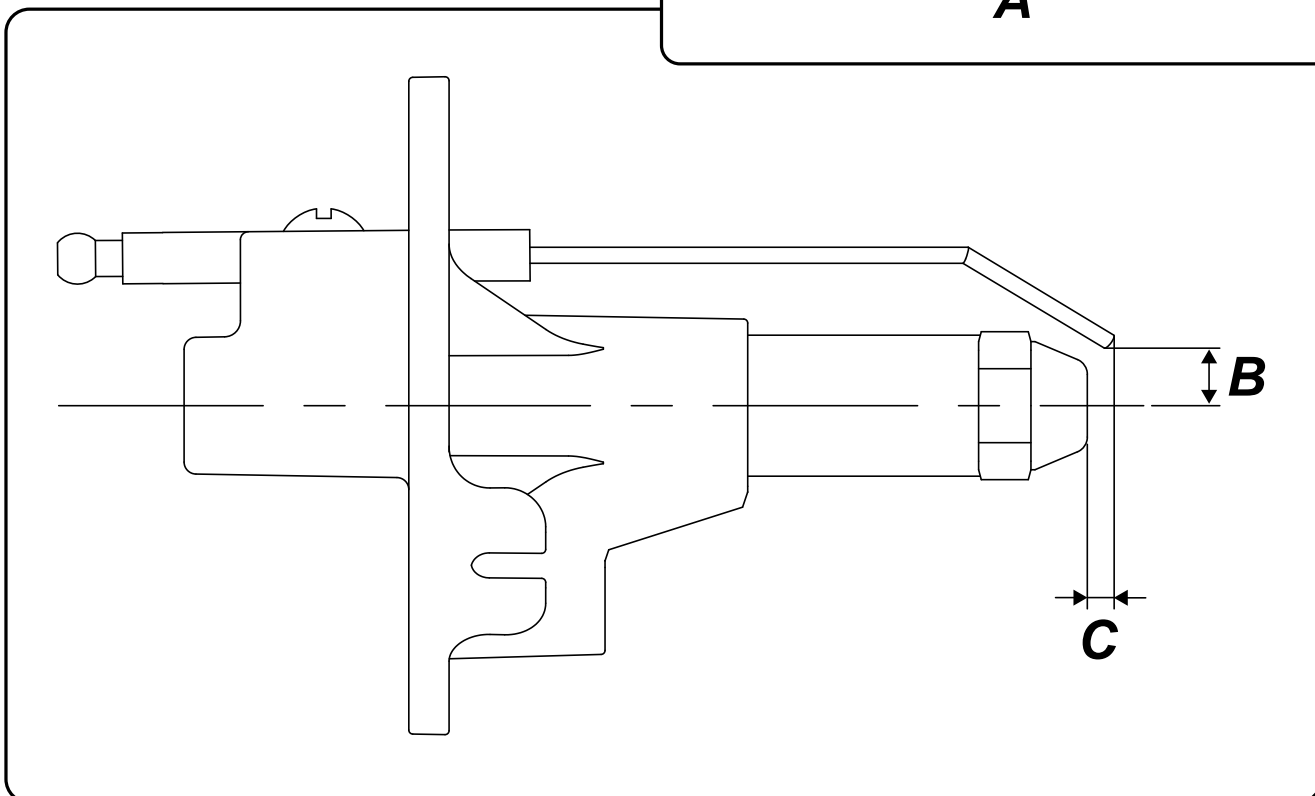
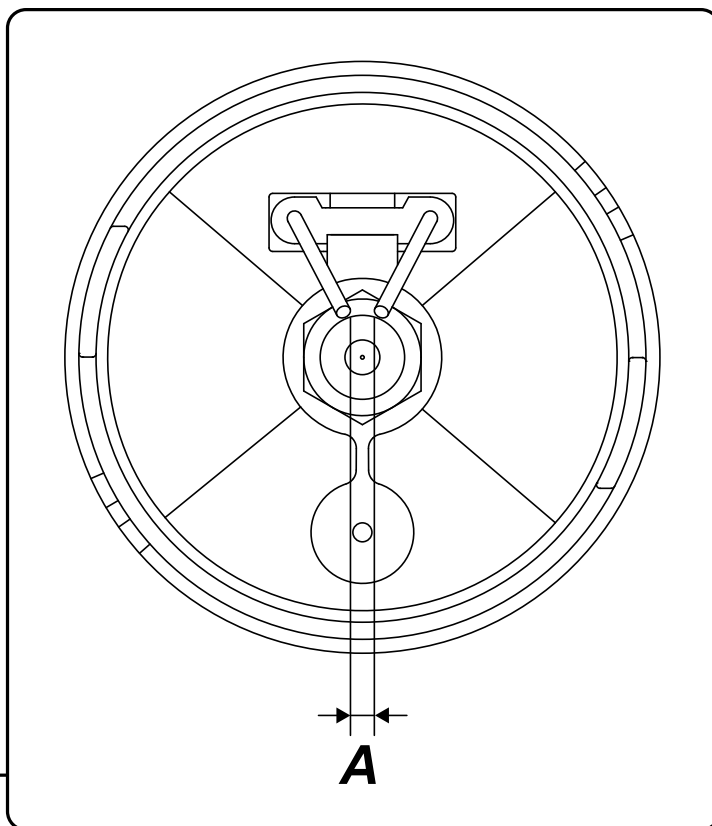
**DUCTING INSTRUCTIONS - INDICAZIONI PER LA CANALIZZAZIONE - HINWEISE FÜR DEN SCHORNSTEINBAU - INDICACIÓN PARA LA CANALIZACIÓN - INDICATIONS POUR LA CANALISATION - AANWIJZINGEN VOOR DE KANALISERING - INDICAÇÕES PARA A CANALIZAÇÃO - ANVISNINGER TIL KANALISERING - KANAVOINTIOHJEET - INDIKASJONER FOR KANALISERING - ANVISNINGAR FÖR KANALISERING - ZALECENIA ODNOŚNIE MONTAŻU INSTALACJI KOMINOWEJ - УКАЗАНИЯ ДЛЯ КАНАЛИЗАЦИИ - SCHÉMA ZAPOJENÍ KOUŘOVODU - ÚTMUTATÓ CSŐRENDSZER KIÉPÍTÉSÉHEZ - NAVODILA ZA KANALIZIRANJE - KANALİZASYON TALİMATLARI - INDIKACIJE ZA SPROVOĐENJE U CIJEVI - NURODYMAI DĒL ORO IŠLEIDIMO - CAURUĻVADU INDIKĀCIJAS - TORU PAIGALDAMISE JUHEND - INDICAȚII PRIVIND DIRECȚIONAREA - SCHÉMA ZAPOJENIA DYMOWODU - УКАЗАНИЯ ЗА КАНАЛИЗАЦИЯТА - ВКАЗІВКИ З ВИКОНАННЯ КАНАЛІВ - INDIKACIJE ZA SPROVOĐENJE U CIJEVI - ΟΔΗΓΙΕΣ ΓΙΑ ΤΗ ΔΙΟΧΕΤΕΥΣΗ - 管道设置说明 - КӨРІЗ ЖҮЙЕСІНЕ АРНАЛҒАН НҮСҚАУЛАР**



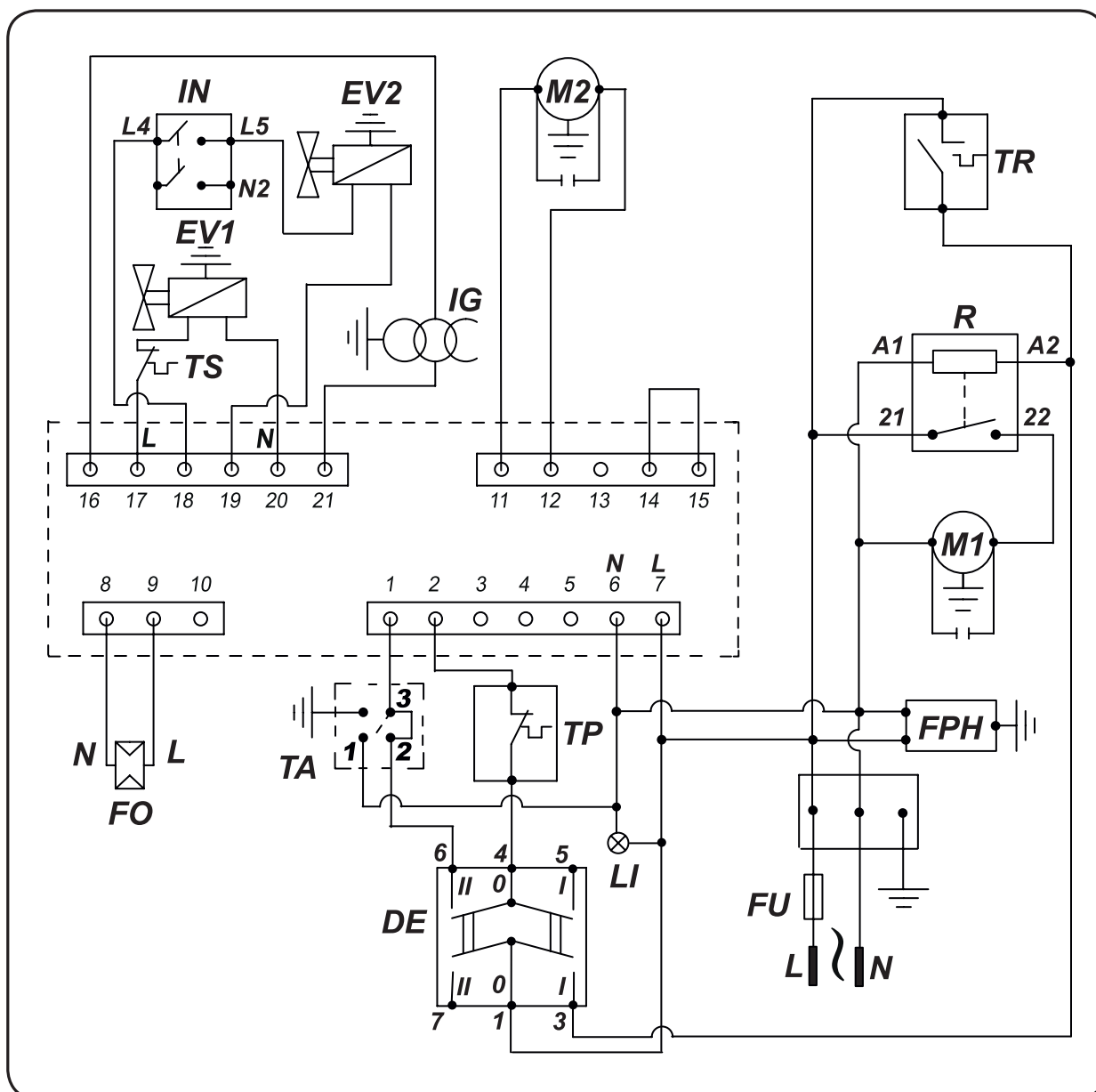
<b>A</b>	> 1 m-m
<b>B</b>	≥ 1 m-m
<b>C</b>	As short as possible - Il piu corto possibile - Die kürzestmögliche - Tan corto como sea posible - Le plus court possible - Zo kort mogelijk - O mais curto possível - Så kort som muligt - Mahdollisimman lyhyt - Kortest mulig - Så kort som möjligt - Możliwie jak najkrótszy - Nasadka kominowa - Как можно короче - Co možná nejkratší - Lehető legrövidebb - Najkrajše - Mükün olduğunca kısa - Što su kraće moguće - Kiek įmanoma trumpesnis - Pēc iespējas īsākas - Võimalikult lühike - Cât mai scurt posibil - Pokiał možno čo najkratšie - Възможно най-късият - Наибольш короткий шлях, по возможности - Što su kraće moguće - Όσο πιο μικρό γίνεται - 尽量短 - Мүмкіндігінше қысқарақ
<b>D</b>	> 5°
<b>E</b>	Windproof terminal - Terminale antivento - Windschutzanschluss - Terminal antiviento - Terminal antivent - Windkerend eindpunt - Terminal antivento - Vindafskærmning - Tuulenpitävä terminaali - Vindtett terminal - Vindskyddat rörlut - Nasadka kominowa - Ветрозащитный наконечник - Koncový díl proti větru - Szélálló csatlakozás - Terminal proti vetru - Rüzgar geçirmez terminal - Završni dio otporan na vjetar - Apsaugojantis nuo vėjo terminalas - Vēja aizsardzības termināls - Tuulekindel tagumine osa - Terminal anti-vânt - Koncový díel proti vetru - Терминално устройство за предпазване от вятър - Кінцевий пристрій для захисту димоходу від вітру - Završni dio otporan na vjetar - Αντιανεμικό θερματικό - 防风终端 - Желден қорғайтын ұштық

**ELECTRODES REGULATION - REGOLAZIONE ELETTRODI - REGULIERUNG DER ELEKTRODEN - REGULACIÓN DE LOS ELECTRODOS - REGULATION DES ELECTRODES - AFSTELLING ELEKTRODEN - REGULAÇÃO DE ELÉTODOS - REGULERING AF ELEKTRODER - ELEKTRODIEN SÄÄTÖ - REGULERING AV ELEKTRODER - ELEKTRODREGLERING - REGULACJA ELEKTROD - РЕГУЛЯЦИЯ ЭЛЕКТРОДОВ - NASTAVENÍ ELEKTROD - AZ ELEKTRODÁK BEÁLLÍTÁSA - NASTAVITEV ELEKTROD - ELEKTROT AYARI - REGULIRANJE ELEKTRODA - ELEKTRODU REGULIAVIMAS - ELEKTRODU REGULĚŠANA - ELEKTROODIDE REGULEERIMINE - REGLAREA ELECTROZILOR - NASTAVENIE ELEKTROD - РЕГУЛІРАНЕ ЕЛЕКТРОДИ - РЕГУЛЮВАННЯ ЕЛЕКТРОДОВ - KONTROLA ELEKTRODE - ΡΥΘΜΙΣΗ ΗΛΕΚΤΡΟΔΙΩΝ - 电极规定 - ЭЛЕКТРОДТАРДЫ РЕТТЕУ**

<b>A</b>	3 mm-ММ
<b>B</b>	6 mm-ММ
<b>C</b>	3 mm-ММ



**WIRING DIAGRAMS - SCHEMI ELETTRICI - SCHALTPLÄNE - ESQUEMAS ELÉCTRICOS - SCHEMAS ELECTRIQUES - ELEKTRISCHE SCHEMA'S - ESQUEMAS ELÉCTRICOS - ELEKTRISKE SKEMAER - SÄHKÖKAAVIOT - KOPLINGSKJEMA - ELEKTRISKA KOPPLINGSSCHEMAN - SCHEMATY ELEKTRYCZNE - ЭЛЕКТРИЧЕСКИЕ СХЕМЫ - ELEKTRICKÁ SCHÉMATA - VILLANYBEKÖTÉSI RAJZOK - ELEKTRIČNE SHEME - ELEKTRİK ŞEMALARI - ELEKTRIČNE SHEME - ELEKTROS SCHEMAS - ELEKTRISKĀS SHĒMAS - ELEKTRISKEEMID - SCHEME ELECTRICE - ELEKTRICKÉ SCHÉMY - ЕЛЕКТРИЧЕСКИ СХЕМИ - ЕЛЕКТРИЧНІ СХЕМИ - ELEKTRIČNE ŠEME - ΗΛΕΚΤΡΙΚΑ ΣΧΕΔΙΑ - 线路图 - ЭЛЕКТРЛІ СУЛБЕЛЕР**



<b>M1</b>	Motor ventilation
<b>M2</b>	Motor combustion
<b>R</b>	Relay
<b>IN</b>	Switch
<b>FU</b>	Fuse
<b>DE</b>	Deviator
<b>LI</b>	Light

<b>FO</b>	Photores
<b>TA</b>	Ambient thermostat
<b>IG</b>	Igniter
<b>FPH</b>	Filter pre-heater
<b>TP</b>	Thermostat oscillation
<b>EV1</b>	Electrovalve NC
<b>EV2</b>	Electrovalve NA

<b>TS</b>	Thermostat overheating
<b>TR</b>	Thermostat heating
<b>L</b>	Line
<b>N</b>	Neutral



# CE CONFORMITY CERTIFICATE



CE CONFORMITY CERTIFICATE - DICHIARAZIONE DI CONFORMITÀ CE - EG-KONFORMITÄTSESKLÄRUNG - DECLARACIÓN DE CONFORMIDAD CE - DECLARATION DE CONFORMITE CE - EG-CONFORMITEITVERKLARING - DECLARAÇÃO DE CONFORMIDADE CE - EU-OVERENSSTEMMELSESERKLÆRING - EY-VAATIMUSTENMUKAISUUSVAKUUTUS - CE-SAMSVARERKLÆRING - EG-FÖRSÄKRAN OM ÖVERENSSTÄMMELSE - DEKLARACJA ZGODNOŚCI WE - ДЕКЛАРАЦИЯ О СООТВЕТСТВИИ CE - PROHLÁŠENÍ O SHODĚ CE - EK MEGFELELŐSÉGI NYILATKOZAT - IZJAVA O SKLADNOSTI IN OZNAKA CE - CE UYGUNLUK BEYANI - IZJAVA CE O SUKLADNOSTI - ES ATITIKTIES DEKLARACIJA - EK ATBILSTĪBAS - DEKLARĀCIJA - EÜ VASTAVUSDEKLARATSIOON - DECLARAȚIE DE CONFORMITATE CE - PREHLÁSENIE O ZHODE CE - ДЕКЛАРАЦИЯ ЗА СЪВМЕСТИМОСТ CE - ДЕКЛАРАЦИЯ ВІДПОВІДНОСТІ CE - IZJAVA CE O PRIKLADNOSTI ΔΗΛΩΣΗ ΣΥΜΜΟΡΦΩΣΗΣ CE - CE 符合性声明

**DANTHERM S.p.A. Via Gardesana 11, -37010- Pastrengo (VR), ITALY**

Product: - Prodotto: - Produkt: - Producto: - Produit: - Product: - Produto: - Produkt: - Tuote: - Produkt: - Produkt: - Produkt: - Изделие: - Výrobek: - Termék: - Izdelek: - Ürün: - Proizvod: - Gaminys: - Ieīce: - Toode: - Produsul: - Výrobok: - Продукт: - Виріб: - Proizvod: - Προϊόν: - 产品:

## **BV 400**

We declare that it is compliant with: - Si dichiara che è conforme a: - Es wird als konform mit den folgenden Normen erklärt: - Se declara que está en conformidad con: - Nous déclarons sa conformité à: - Hierbij wordt verklaard dat het product conform is met: - Declara-se que está em conformidade com: - Vi erklærer at produktet er i overensstemmelse med: - Vakuutetaan olevan yhdenmukainen: - Man erklærer at apparatet er i overensstemmelse med: - Härmed intygas det att produkten är förenlig med följande: - Oświadczam się, że jest zgodny z: - Заявляем о соответствии требованиям: - Prohlašuje se, že je v souladu s: - Kijelentjük, hogy a termék megfelel az alábbiaknak: - Izpolnjuje zahteve: - Aşağıdaki standartlara uygun olduğunu beyan ederiz: - Izjavljuje se da je u skladu s: - Pareiškiame, kad atitinka: - Tiek deklarēts, ka atbilst: - Kāesolevaga deklarēritakse, et toode vastab: - Declarăm că este conform următoarelor: - Prehlasuje sa, že je v súlade s: - Декларира се че отговаря на: - Відповідає вимогам: - Izjavljuje se da je u skladu s: - Δηλώνουμε ότι είναι σύμφωνο με: - 兹证明符合:

**2014/30/EU, 2014/35/EU**

**EN 62233:2008, EN 61000-3-2:2014, EN 61000-3-3:2013, EN 55014-1:2006/A2:2011, EN 55014-2:2015, EN 60335-1:2012/A11:2014, EN 60335-2-102:2016**

Pastrengo, 2018

Stefano Verani (Member of the Board)



► en - DISPOSAL OF THE PRODUCT

-This product has been designed and manufactured with top-quality materials and components, which can be re-cycled and re-used. When a crossed-wheely bin symbol is attached to the product, it means that the product is protected by the, 2012/19/UE European Directive.

-Please obtain information regarding the local differentiated collection system for electrical and electronic products.

-Respect local Standards in force and do not dispose of old products as normal domestic waste. Correct disposal of the product helps to prevent possible negative consequences for health, the environment and mankind.

► it - SMALTIMENTO DEL PRODOTTO

-Questo prodotto è stato progettato e fabbricato con materiali e componenti di alta qualità, che possono essere riciclati e riutilizzati.

-Quando ad un prodotto è attaccato il simbolo del bidone con le ruote segnato da una croce, significa che il prodotto è tutelato dalla Direttiva Europea 2012/19/UE.

-Si prega di informarsi in merito al sistema locale di raccolta differenziata per i prodotti elettrici ed elettronici.

-Rispettare le norme locali in vigore e non smaltire i prodotti vecchi nei normali rifiuti domestici. Il corretto smaltimento del prodotto aiuta ad evitare possibili conseguenze negative per la salute dell'ambiente e dell'uomo.

► de - ENTSORGUNG DES PRODUKTS

-Dieses Produkt wurde unter Verwendung von Qualitätsmaterialien und -bauteilen entwickelt und hergestellt, die recycelt und wieder verwendet werden können.

-Ist ein Produkt gekennzeichnet durch die Mülltonne mit Rädern und einem Kreuz, wird hier angezeigt, dass dieses Produkt durch die europäische Direktive 2012/19/UE überwacht ist.

-Es wird gebeten, sich über die vor Ort bestehende Mülltrennung bezüglich elektrischer und elektronischer Produkte zu informieren.

-Die vor Ort geltenden Vorschriften zur Müllentsorgung müssen eingehalten werden und alte Produkte dürfen nicht zusammen mit dem Hausmüll entsorgt werden. Die ordnungsgemäße Entsorgung des Produkts hilft mögliche negative Folgen für Gesundheit und Umwelt zu vermeiden.

► es - ELIMINACIÓN DEL PRODUCTO

-Este producto ha sido diseñado y fabricado con materiales y componentes de alta calidad que se pueden reciclar y reutilizar.

-Cuando en el producto se encuentra el símbolo del contenedor con las ruedas tachado con una cruz, significa que el producto está tutelado por la Directiva europea 2012/19/UE.

-Se ruega informarse acerca del sistema local de recogida selectiva para los productos eléctricos y electrónicos.

-Respete las normas locales vigentes y no elimine los productos viejos junto con los residuos domésticos normales. La eliminación correcta del producto ayuda a evitar posibles consecuencias negativas para la salud del ambiente y del hombre.

► fr - SE DÉBARRASSER DE VOTRE PRODUIT USAGÉ

-Ce produit a été conçu et fabriqué avec des matériaux et des composants de haute qualité, qui peuvent être recyclés et utilisés de nouveau.

-Lorsque le symbole d'une poubelle à roue barrée est appliqué à un produit, cela signifie que le produit est couvert par la Directive Européenne 2012/19/UE.

-Veuillez vous informer du système local de séparation des déchets électriques et électroniques.

-Veuillez agir selon les règles locale set ne pas jeter vos produits usagés avec les déchets domestiques usuels. Jeter correctement votre produit usagé aidera à prévenir les conséquences négatives potentielles contre l'environnement et la santé humaine.

► nl - VERWIJDERING VAN HET PRODUCT

-Dit product werd ontworpen en gemaakt met hoogwaardige materialen en componenten, die gerecycleerd en herbruikt kunnen worden.

-Wanneer op een product het symbool van de afvalbak op wielen met een kruis erdoor is aangebracht, betekent dit dat het product valt onder de Europese Richtlijn 2012/19/UE.

-Gelieve inlichtingen in te winnen betreffende het plaatselijke systeem voor gedifferentieerde inzameling van elektrische en elektronische toestellen.

-Respecteer de plaatselijke normen die van kracht zijn, en verwijder de oude toestellen niet als gewoon huishoudelijk afval. Een correcte verwijdering van het product helpt om mogelijke negatieve gevolgen voor de gezondheid van mens en milieu te voorkomen.

► pt - ELIMINAÇÃO DO PRODUTO

-Este produto foi projetado e fabricado com materiais e componentes de alta qualidade que podem ser reciclados e reutilizados.

-Quando for afixado em um produto o símbolo do bidão com rodas marcado com uma cruz, significa que o produto é protegido pela Diretiva Europeia 2012/19/UE.

-Solicitamos informar-se sobre o sistema local de recolha diferenciada para os produtos elétricos e eletrônicos.

-Respeitar as normas locais em vigor e não eliminar os produtos antigos como normais detritos domésticos. A correta eliminação do produto ajuda a evitar possíveis consequências negativas para a saúde do ambiente e do homem.

#### ► da - BORTSKAFFELSE

- Dette produkt er designet og fremstillet med materialer og dele af høj kvalitet, der kan genanvendes.
- Når et produkt er mærket med symbolet, der viser en affaldsspand på hjul med et kryds over, betyder det, at produktet er beskyttet af EF-Direktiv 2012/19/UE.
- Der henstilles til, at man informerer sig angående det lokale affaldssorteringssystem for elektriske og elektroniske produkter.
- De gældende lokale regler skal overholdes, og de gamle produkter må ikke bortskaffes sammen med husholdningsaffaldet. Ved at bortskaffe dette produkt korrekt, medvirker De til at forhindre eventuelle negative påvirkninger af miljøet og folkesundheden.

#### ► fi - TUOTTEEN HÄVITTÄMINEN

- Tämä tuote on suunniteltu ja valmistettu korkealaatuisia materiaaleja ja osia käyttämällä, jotka voidaan kierrättää ja käyttää uudelleen.
- Kun tuotteeseen on kiinnitetty viivattu roskasäiliön merkki, se tarkoittaa, että tuotetta suojaa Euroopan yhteisön direktiivi 2012/19/UE.
- Hanki tietoja paikallisesta sähkö- ja elektroniikkaromujen erilliskeräyksestä.
- Noudata voimassa oleva määräyksiä äläkä hävitä vanhoja tuotteita kotitalousjätteiden mukana. Tuotteen oikea hävittäminen auttaa suojelemaan luontoa ja välttää väärän romutuksen aiheuttamien terveysriskien syntymistä.

#### ► no - AVFALLSHÅNTERING

- Dette produktet er utformet og produsert med materialer og deler av høy kvalitet, og som kan gjenvinnes.
- Når det på et produkt finnes et symbol som forestiller en avfallsbeholder med et kryss over, betyr dette at produktet er underlagt EU-direktiv 2012/19/UE.
- Vennligst informer dere angående de lokale reglene som gjelder kassering av elektrisk og elektronisk avfall.
- Ta hensyn til gjeldende regelverk og ikke kast gamle produkter sammen med husholdningsavfall. Riktig avfallshåndtering av produktet bidrar til å unngå potensielle negative konsekvenser for miljøet og menneskenes helse.

#### ► sv - PRODUKTENS BORTSKAFFANDE

- Den här produkten har projekterats och tillverkats med material och komponenter av hög kvalitet som kan återvinnas och återanvändas.
- När ett klistermärke med en symbol med överkorsad soptunna med hjul sitter på produkten, betyder detta att produkten är skyddad av Eu-direktiv 2012/19/UE.
- Vi ber er inhämta upplysningar vid er lokala återvinningsstation för elektriska och elektroniska produkter.
- Följ lokala gällande bestämmelser och skaffa inte bort förbrukade produkter i det vanliga hushållsavfallet. Ett korrekt bortskaffande av produkten hjälper till att undvika möjliga negativa effekter på miljö- och människohälsa.

#### ► pl - UTYLIZACJA PRODUKTU

- Niniejszy produkt został wyprodukowany z najwyższej jakości materiałów, które mogą być poddane recyklingowi i zostać ponownie użyte.
- Symbol przekreślonego kosza na śmieci umieszczony na sprzęcie, opakowaniu lub dokumentach do niego dołączonych oznacza, że produktu nie wolno wyrzucać łącznie z innymi odpadami. Obowiązkiem użytkownika jest przekazanie zużytego sprzętu do wyznaczonego punktu zbiórki w celu właściwego jego przetworzenia. Oznakowanie oznacza jednocześnie, że sprzęt został wprowadzony do obrotu po dniu 13 sierpnia 2005 r.
- Należy zapoznać się z lokalnym systemem zbiórki produktów elektronicznych i elektrycznych.
- Informacje o dostępnym systemie zbierania zużytego sprzętu elektrycznego można znaleźć w punkcie informacyjnym sklepu oraz w urzędzie miasta/gminy.
- Odpowiednie postępowanie ze użytym sprzętem zapobiega negatywnym konsekwencjom dla środowiska i ludzkiego zdrowia!

#### ► cs - LIKVIDACE VÝROBKU

- Tento výrobek byl navržen a vyroben z vysoce kvalitních materiálů a komponentů, které lze recyklovat a znovu použít.
- Je-li na výrobku symbol přeškrtnutého kontejneru, znamená to, že na výrobek se vztahuje Evropská Směrnice 2012/19/UE.
- Informujte se o místním systému pro oddělený sběr elektrických a elektronických výrobků.
- Dodržujte místní předpisy a nelikvidujte staré produkty spolu s běžným komunálním odpadem. Správná likvidace výrobku pomůže předcházet možným negativním dopadům na životní prostředí a lidské zdraví.

#### ► hu - HULLADÉKBA HELYEZÉS

- A termék kiváló minőségű újrahazsnosítható és újból felhasználható alkotóelemek felhasználásával készült.
- Ha terméken elhelyezésre került az áthúzott hulladékgyűjtőt ábrázoló jel, az azt jelenti, hogy a termékre a 2012/19/UE irányelv vonatkozik.
- Kérjük, tájékozódjon az elektromos és elektronikus hulladékok szelektív gyűjtéséről.
- Tartsa be a helyben hatályos előírásokat, és ne a terméket ne helyezze a háztartási hulladékgyűjtőbe. A megfelelő hulladékgyűjtéssel elkerülhető, hogy a hulladékok károsítsák a környezetet ill. az emberi egészséget.

#### ►sl - ODLAGANJE IZDELKA

- Ta izdelek je bil zasnovan in izdelan iz materialov in komponent visoke kakovosti, ki jih je mogoče reciklirati in ponovno uporabiti.
- Ko je izdelek označen z znamenjem prekrižanega smetnjaka na kolesih, pomeni, da zanj veljajo določbe evropske Direktive 2012/19/UE.
- Pozanimajte se o načinu ločenega zbiranja električne in elektronske opreme, ki velja v vašem kraju.
- Upoštevajte veljavne predpise in odsluženih izdelkov ne odlagajte med gospodinjske odpadke. Pravilno odlaganje izdelka prispeva k izogibanju morebitnim negativnim posledicam za zdravje okolja in ljudi.

#### ►tr - ÜRÜNÜN İMHA EDİLMESİ

- Bu ürün, geri dönüştürülüp tekrar kullanılabilen, yüksek kaliteli malzeme ve bileşenler kullanılarak tasarlanıp üretilmiştir.
- Herhangi bir üründe, üzerinde çarpı işareti bulunan tekerlekli bidon bulunuyorsa bu, ürünün 2012/19/UE Avrupa Direktifi tarafından konulduğunu belirtir.
- Lütfen bulunduğunuz bölgedeki elektrikli ve elektronik aletler için olan çöp ayrıştırma sistemi ile ilgili bilgi edininiz.
- Konuyla ilgili yerel düzenlemelere uyunuz ve eski ürünleri normal evsel atıklarla beraber atmayınız. Ürünün doğru şekilde imha edilmesi, çevre ve insan sağlığını tehdit edici olumsuz sonuçların önlenmesine yardımcı olur.

#### ►hr - ODBACIVANJE PROIZVODA

- Ovaj je proizvod osmišljen i izrađen s visokokvalitetnim materijalima i komponentama koje se mogu reciklirati i ponovno iskoristiti.
- Kada se na proizvod stavi simbol prekrižene kante na kotačima, to znači da je on podvrgnut Europskoj Smjernici 2012/19/UE.
- Informirajte se u svezi s lokalnim načinom diferencijalnog sakupljanja električnih i elektronskih proizvoda.
- Pošaljite lokalne propise na snazi i ne odbacujte stare proizvode zajedno sa običnim kućnim otpadom. Pravilnim odbacivanjem proizvoda spriječit ćete moguće negativne posljedice za okoliš i za zdravlje ljudi.

#### ►lt - GAMINIO SUNAIKINIMAS

- Šis gaminys buvo sukurtas ir pagamintas iš aukštos kokybės medžiagų bei dalių, kurios gali būti perdirbtos arba panaudotos dar kartą.
- Kai gaminys yra pažymėtas perbraukto atliekų konteinerio su ratukais ženklų, tai reiškia, kad gaminys yra saugomas pagal ES direktyvą 2012/19/UE.
- Prašome pasidomėti apie vietinę elektros ir elektronikos atliekų rūšiavimo sistemą.
- Laikykitės vietinių galiojančių taisyklių ir nemeskite senų gaminių su įprastomis buitinėmis atliekomis. Tinkamai sunaikinę gaminį išvengsite galimų neigiamų pasekmių aplinkai ir žmonių sveikatai.

#### ►lv - PRODUKTA IZNĪCINĀŠANA

- Šis produkts tika izveidots un ražots ar augstas kvalitātes materiāliem un sastāvdaļām, kas var būt savāktas un atkārtoti izmantotas.
- Kad pie produkta ir piestiprināts atkritumu tvertnes simbols ar riteņiem, kas ir pārsvītrots ar krustu, tas nozīmē, ka produktu aizstāv Eiropas Direktīva 2012/19/UE.
- Lūdzam Jūs gūt informāciju par vietēju centru, kas savāc elektriskās un elektroniskā ierīces.
- Ievērot vietējās pastāvošās normas un neiznīcināt vecus produktus, kā parastus mājas atkritumus. Produkta pareizā iznīcināšana palīdz izvairīties no iespējamām negatīvām sekām vides un cilvēku veselībai.

#### ►et - TOOTE KASUTUSEST KÕRVALDAMINE

- See toode on projekteeritud ja toodetud kvaliteetsetest materjalidest ja osadest, mida võib uuesti ringlusse võtta ja korduskasutada.
- Kui tootel on märk, millel on ratastega prügikast, millele on rist peale tõmmatud, tähendab see, et toodet kaitseb Euroopa direktiiv 2012/19/UE.
- Palun tutvuge kohaliku elektri- ja elektroonikatoodete lahuskogumise süsteemiga.
- Täitke kehtivaid kohalikke õigusnorme ning ärge visake vana toodet olmejäätmete hulka. Toote õige kõrvaldamine aitab vältida võimalikke negatiivseid tagajärgi keskkonna ja inimeste tervisele.

#### ►ro - SCOATEREA DEFINITIVĂ DIN UZ A PRODUSULUI

- Acest produs a fost proiectat și fabricat cu materiale și componente de înaltă calitate care pot fi reciclate și refolosite.
- Când pe produs este aplicat simbolul unei pubele cu roți, marcată cu o cruce, înseamnă că produsul respectiv este conform Directivei Europene 2012/19/UE.
- Vă rugăm să vă informați în ceea ce privește colectarea separată a produselor electrice și electronice.
- Respectați normele locale în vigoare și nu depozitați produsele vechi împreună cu deșeurile menajere. Eliminarea corectă a produsului ajută la eliminarea consecințelor negative pe care acesta le poate avea asupra mediului înconjurător și a persoanelor.

#### ►sk - LIKVIDÁCIA VÝROBKU

- Tento výrobok bol navrhnutý a vyrobený z vysoko kvalitných materiálov a komponentov, ktoré je možné recyklovať a znovu použiť.
- Ak je na výrobku symbol prečiarknutého kontajnera, znamená to, že na výrobok sa vzťahuje Európska Smernica 2012/19/UE.
- Informujte sa o miestnom systéme pre oddelený zber elektrických a elektronických výrobkov.
- Dodržujte miestne predpisy a nelikvidujte staré produkty spolu s bežným komunálnym odpadom. Správna likvidácia výrobku pomôže predchádzať možným negatívnym dopadom na životné prostredie a ľudské zdravie.



► **bg - ИЗХВЪРЛЯНЕ НА УРЕДА**

-Това изделие е проектирано и произведено с материали и компоненти от високо качество, които могат да се рециклират или използват повторно.

-Когато на някое изделие е поставен символ с бидон на колелца, маркиран с хикс, това означава, че изделието е защитено съгласно Европейска Директива 2012/19/UE.

-Моля да се информирате относно местната система за разделно изхвърляне на електрически и електронни изделия.

-Спазвайте действащите местни нормативи и не изхвърляйте изделията, заедно с нормалните домакински отпадъци. Правилното изхвърляне на изделията, помага за избягване на възможни отрицателни последици, за здравето на хората и за опазване на околната среда.

► **uk - УТИЛІЗАЦІЯ ВИРОБУ**

-Цей виріб був спроектований і вироблений з використанням високоякісних матеріалів і комплектуючих, які можуть бути повторно перероблені і використані.

-Якщо на виріб нанесено символ перекресленого бака з колесами для сміття, це означає, що виріб відповідає Директиві Європейського Союзу 2012/19/UE.

-Просимо ознайомитися з інформацією щодо місцевої системи роздільного збору сміття для електричного і електронного обладнання.

-Дотримуйтеся чинних місцевих правил і не викидайте старі вироби до звичайних побутових відходів. Правильна утилізація виробу допомагає уникнути можливих негативних наслідків для довкілля і здоров'я людей.

► **bs - ODLAGANJE PROIZVODA**

-Ovaj je proizvod dizajniran i proizveden korištenjem materijala i komponenata visoke kvalitete koji se mogu reciklirati i ponovo koristiti.

-Kada se na ovaj proizvod postavi simbol prekrizene kante /obilježene krstom na točkovima, to znači da je proizvod podložan Evropskoj Direktivi 2012/19/UE.

-Molimo Vas da se informirate o lokalnom sistemu diferencijalnog sakupljanja električnih i elektronskih proizvoda.

-Poštujte lokalne propise na snazi i ne odbacujte stare proizvode u obični kućanski otpad. Pravilno odlaganje proizvoda pomaže i onemogućuje negativne posljedice za zdravlje ljudi i okoliša

► **el - ΔΙΑΘΕΣΗ ΤΟΥ ΠΡΟΪΟΝΤΟΣ**

-Το προϊόν αυτό σχεδιάστηκε και κατασκευάστηκε με υλικά και εξαρτήματα υψηλής ποιότητας, τα οποία μπορούν να ανακυκλωθούν και να ξαναχρησιμοποιηθούν.

-Όταν ένα προϊόν είναι συνδεδεμένο με το σύμβολο του διαγεγραμμένου τροχοφόρου σημειωμένο με ένα σταυρό, σημαίνει ότι το προϊόν καλύπτεται από την Ευρωπαϊκή Οδηγία 2012/19/UE.

-Σας συνιστούμε να ενημερωθείτε σχετικά με το τοπικό σύστημα συλλογής για την ανακύκλωση ηλεκτρικών και ηλεκτρονικών προϊόντων.

-Τηρήστε τους τοπικούς κανονισμούς που ισχύουν και μην απορρίπτετε τα παλαιά προϊόντα στα οικιακά απορρίμματα. Η σωστή διάθεση του προϊόντος βοηθά στην αποφυγή πιθανών αρνητικών συνεπειών για την υγεία του περιβάλλοντος και του ανθρώπου.

► **zh - 弃置旧的产品**

-该产品是由高质量的原材料和零配件生产而成的，可以进行回收再利用

-当这个标识标签出现在产品上时，它表明这个产品符合 European Directive 2012/19/UE 标准。

-请熟知产品实际使用地关于处理废弃的电子元件的相关法律规定。

-请严格根据当地法规处理废弃的产品和包装，并确保不和生活垃圾混装。正确的处理方式可以避免对环境和人体健康产生的潜在威胁。

